



42-inch Class 1080p Healthcare LCD HDTV

TH-42LRH50U

Product specification (design and specification subject to change without notice)

■ DISPLAY PANEL

Screen Size (Diagonal)	42.0 -inch
Aspect ratio	16:9
Panel	IPS 1080p (WSXGA)
Effective Display Area (W x H)	36.6" x 20.6" (930 x 523 mm)
Number of pixels (H x V)	1,920 x 1,080 pixel
Brightness (Panel)	450 cd/m ²
Contrast Ratio	20,000 :1
Viewing Angle	178 degrees
Response Time	7 ms (G to G)
Life Time	approx. 60,000 hours
Intelligent Scene Controller	Yes

■ RECEIVING SYSTEM

ATSC / NTSC / QAM	VHF/ UHF: 2 - 69, CATV: 1 - 135
FTG HD Support	EBL (Embedded b-LAN) Requires FMA-PA101 or Local Authentication by SD card

■ VIDEO

VIDEO CODEC	MPEG2, MPEG4/H.264
-------------	--------------------

■ CONNECTION TERMINAL

RF IN (Antenna/Cable)	1	
VIDEO IN	RCA x 1 (rear)	1.0 V [p-p] (75Ω)
AUDIO IN (L/R)	RCA x 1 set (rear)	0.5 V [rms]
COMPONENT VIDEO IN	RCA x 1 set (Y Pb Pr) (rear)	Y : with sync 1.0 V [p-p] (75Ω) Pb, Pr : ±0.35 V [p-p] (75Ω)
AUDIO IN (L/R)	RCA x 1 set (rear)	0.5 V [rms]
HDMI IN	HDMI TYPE A connector x 1 (rear), x 1 (side)	
PC IN	MINI D-sub 15pin x1 (Female) (rear)	R, G, B : 0.7 V [p-p] (75Ω) HD/VD : 1.0 - 5.0 V [p-p] (high impedance)
AUDIO IN (L/R)	M3 jack x 1 (rear)	0.5 V [rms]
AUDIO OUT (Analog L/R)	M3 jack x 1 (rear)	0.5 V [rms]
SD Card slot	1 (side)	

■ CONTROL TERMINAL

DATA / MTI	RJ-11(6pin) x 1 (rear) (Compatible with LodgeNet game controller)
SERIAL Port	M3 jack x 1 (rear), RS232C
Pillow Speaker Interface	M3 jack x 1 (rear)

■ ELECTRICAL

Power Requirements	120 V AC, 60Hz (Detachable AC Power Cord - Healthcare Grade)
Power Consumption	205W
On mode Average Power Consumption*	81W
Stand-by condition	0.9W

*Based on IEC 62087 Ed.2 section 11.6.1 measurement method

■ AUDIO

Internal Speaker Output	10W + 10W (10%THD)
Invisible Speaker System Details	1 way 2 bottom Speaker
Sound System Type	AV Surround
Bass/Treble/Barance controls	Yes

■ DIMENSIONS & WEIGHT

Dimensions (W x H x D)	40.2" x 25.1" x 4.1" (1,021 x 637 x 105 mm)
Carton Dimensions (W x H x D)	45.0" x 29.3" x 9.0" (1143 x 743 x 229 mm)
Weight	approx. 38.6 lbs. (17.5 kg)
Gross weight	approx. 50.7 lbs. (23.0 kg)
Cabinet Color	Black (Texture)

■ ENVIRONMENTAL

Operating environment	Temperature	: 32°F to 95°F (0°C to 35°C)
	Humidity	: 20% to 80% (Non condensation)
Storage environment	Temperature	: -4°F to 140°F (-20°C to 60°C)
	Humidity	: 20% to 90% (Non condensation)

MAIN FEATURE

VIERA Link™, HDAVI Control™	Yes
Fast Boot	Yes
Integrated Pro:Idiom	Yes
Local Authentication	Yes
Welcome Image	Yes
Channel Remap	Yes
SD Card Slot	Image Viewer (JPEG playback) Cloning
OFF Timer	15/30/60/90 minutes
Hospital Mode	Initial INPUT Initial Channel Initial VOL level Maximum VOL level Button Lock Power Control

ACCESSORIES

INCLUDED ACCESSORIES	AC Power Cord (7.5 ft. Healthcare Grade) Clamper for Power Cord Operating Instruction
OPTIONAL ACCESSORIES	Wall hanging bracket (TY-WK3L2RW) *VESA Compliant W 200 x H 200mm Installer Remote Control (N2QAYB000485)

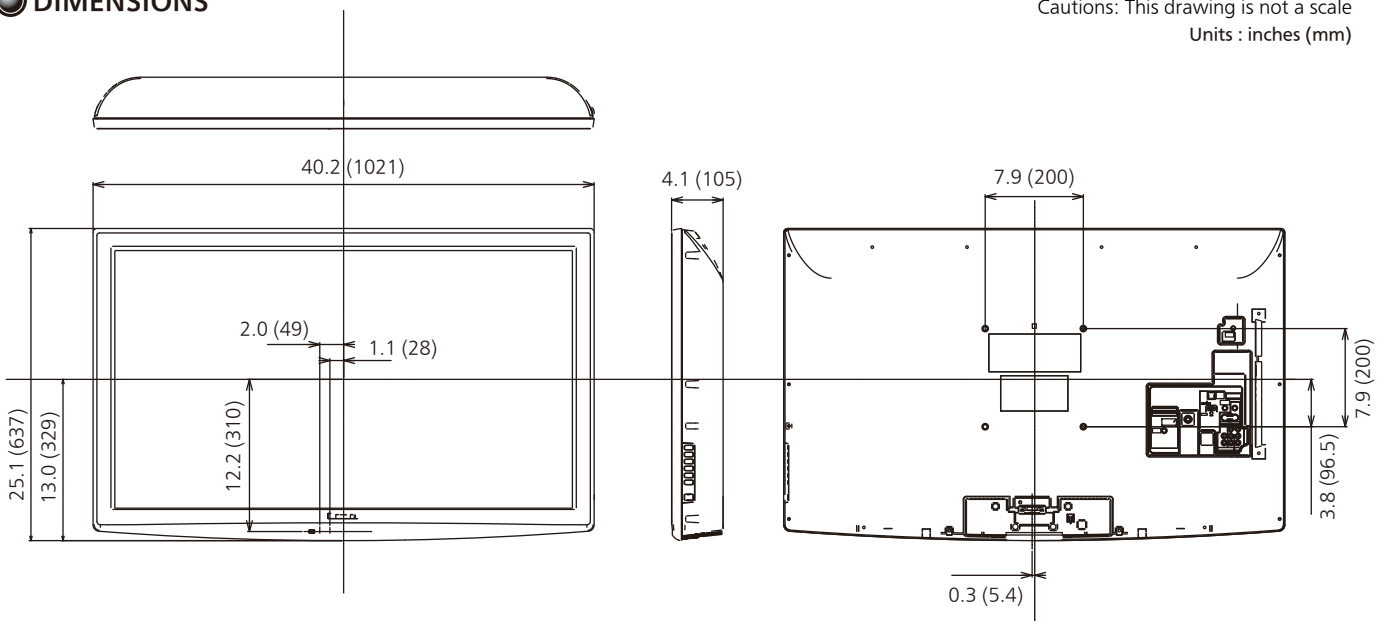
STANDARD (CERTIFICATIONS)

SAFETY REGULATIONS	UL60065 Healthcare Grade (Annex Q), UL6500 Ver.2
RADIATION REGULATIONS	FCC Part 15 Class-B, ICES-003, ISTA

UPC Code	885170087965
----------	--------------

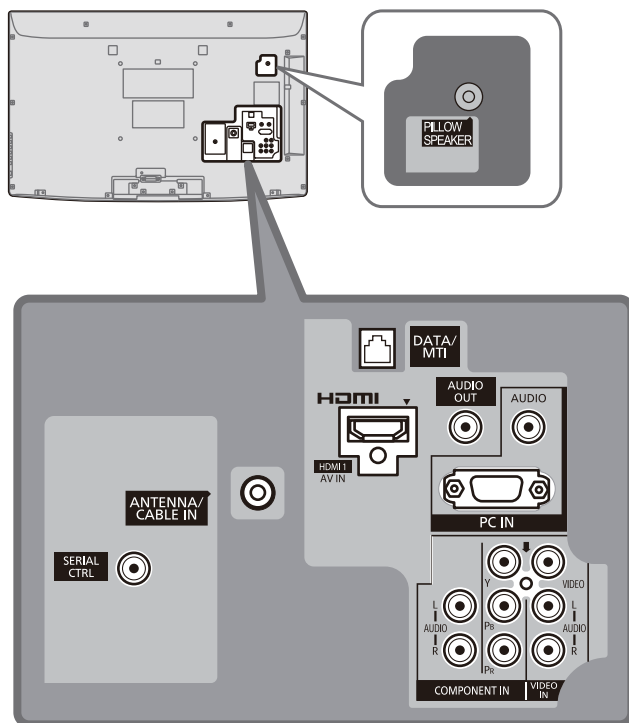
DIMENSIONS

Cautions: This drawing is not a scale
Units : inches (mm)



CONNECTION TERMINAL

<rear>



<side>

