

Panasonic



42-inch Class 1080p Hospitality LCD HDTV

TH-42LRU50

Product specification (design and specification subject to change without notice)

■ DISPLAY PANEL

Screen Size (Diagonal)	42.0 -inch
Aspect ratio	16:9
Panel	IPS 1080p (WSXGA)
Effective Display Area (W x H)	36.6" x 20.6" (930 x 523 mm)
Resolution (H x V)	1,920 x 1,080 pixel
Brightness (Panel)	450 cd/m ²
Dynamic Contrast Ratio	20,000 :1
Viewing Angle	178 degrees
Response Time	7 ms (G to G)
Panel Life	approx. 60,000 hours
Intelligent Scene Controller	Yes

■ RECEIVING SYSTEM

ATSC/NTSC/QAM	VHF/ UHF: 2 - 69, CATV: 1 - 135
FTG HD Support	EBL (embedded b-LAN) Requires FMA-PA101 or Local Authentication by SD Card

■ VIDEO

VIDEO CODEC	MPEG2, MPEG4/H.264
-------------	--------------------

■ CONNECTION TERMINAL

RF IN (Antenna/Cable)	1	
VIDEO IN	RCA x 1 (rear), RCA x 1 (side)	1.0 V [p-p] (75Ω)
AUDIO IN (L/R)	RCA (L/R) x 1 set (rear), x 1 set (side)	0.5 V [rms]
COMPONENT VIDEO IN	RCA x 1 set (Y Pb Pr) (rear)	Y : with sync 1.0 V [p-p] (75Ω) Pb, Pr : ±0.35 V [p-p] (75Ω)
AUDIO IN (L/R)	RCA x 1 set (rear)	0.5 V [rms]
HDMI IN	HDMI TYPE A connector x 2 (rear), x 1 (side)	
PC IN	MINI D-sub 15pin x1 (Female, rear)	R, G, B : 0.7 V [p-p] (75Ω) HD/VD : 1.0 - 5.0 V [p-p] (high impedance)
AUDIO IN (L/R)	3.5mm jack x 1 (rear)	0.5 V [rms]
AUDIO OUT (Digital / SPDIF)	Optical x 1 (rear)	
AUDIO OUT (Analog)	3.5mm jack x 1 (rear)	0.5 V [rms]
SD Card slot	1	

■ CONTROL TERMINAL

DATA / MTI	RJ11 (6pin) x 1 (rear) (Compatible with LodgeNet game controller)
SERIAL Port	3.5mm jack x 1 (rear), RS232C

■ ELECTRICAL

Power Requirements	110-127 V AC, 60Hz (AC Power Cable 90.6" (2.3m))
Power Consumption	205W
On mode Average Power Consumption*	81W
Stand-by Power	0.9W

*Based on IEC 62087 Ed.2 section 11.6.1 measurement method

■ AUDIO

Audio Output Power	10W + 10W (10%THD)
Invisible Speaker System Details	1 way 2 bottom Speakers
Sound System Type	AV Surround
Bass/Treble/Barance controls	Yes

■ DIMENSIONS & WEIGHT

Including TV Stand (W x H x D)	40.2" x 26.9" x 12.6" (1,021 x 682 x 318 mm)
TV Set Only (W x H x D)	40.2" x 25.1" x 4.2" (1,021 x 637 x 105 mm)
Carton Dimensions (W x H x D)	52.0" x 29.3" x 9.1" (1,321 x 743 x 229 mm)
Including TV Stand (Weight)	approx. 47.7 lbs. (21.6 kg)
TV Set Only (Weight)	approx. 38.6 lbs. (17.5 kg)
Gross weight	approx. 61.9 lbs. (28.0 kg)
Cabinet Color	Black (Texture)

■ ENVIRONMENTAL

Operating environment	Temperature	: 32°F to 95°F (0°C to 35°C)
	Humidity	: 20% to 80% (Non condensation)
Storage environment	Temperature	: -4°F to 140°F (-20°C to 60°C)
	Humidity	: 20% to 90% (Non condensation)

UPC Code	885170077072
----------	--------------

MAIN FEATURE

VIERA Link™, HDAVI Control™	Yes
Fast Boot	Yes
Integrated Pro:Idiom	Yes
Local Aucentication	Yes
Welcome Image	Yes
SD Card Slot	Image Viewer (JPEG playback) Cloning
OFF Timer	15/30/60/90 minutes
Hotel Mode	Initial INPUT Initial Channel Initial VOL level Maximum VOL level Button Lock Power Control

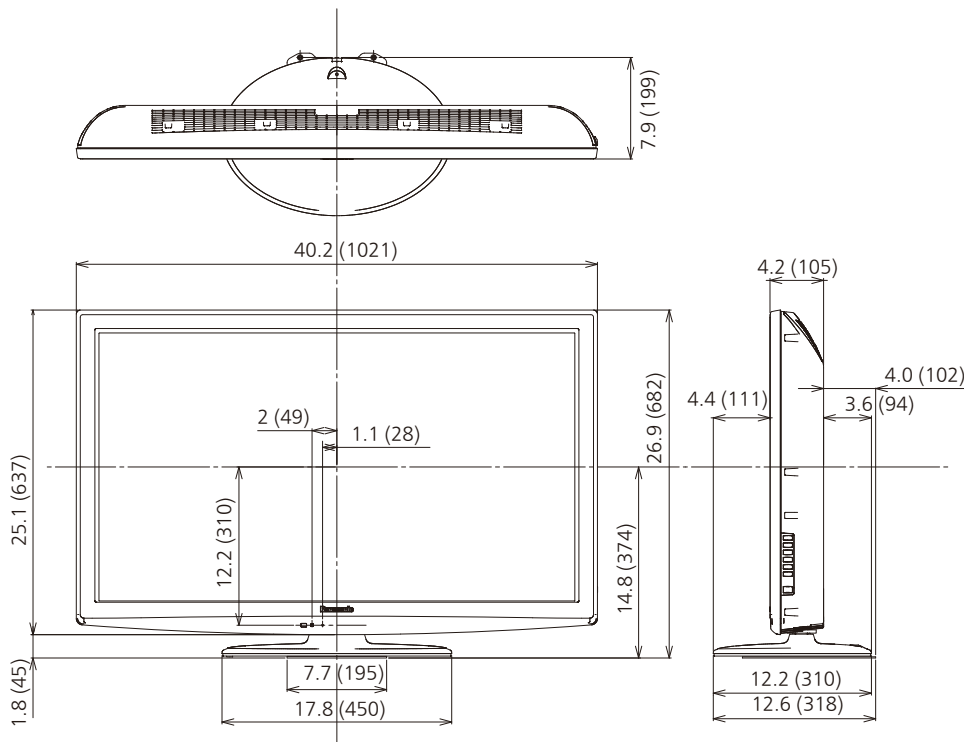
ACCESSORIES

INCLUDED ACCESSORIES	Swivel Stand (degrees:30°/60°/90°) Antitheft Screw for Stand Remote control transmitter Batteries for the Remote Control Transmitter (AA Battery x 2) Security Lockdown Screws (Security Bit : Optional) Operating Instruction
Optional Accessories	Wall hanging bracket (TY-WK3L2RW) *VESA Compliant W200xH200 mm

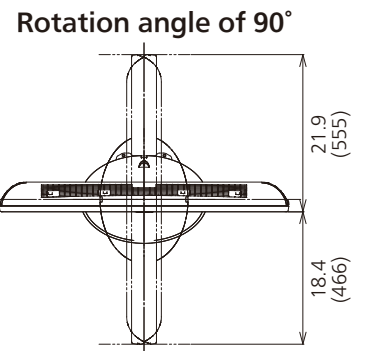
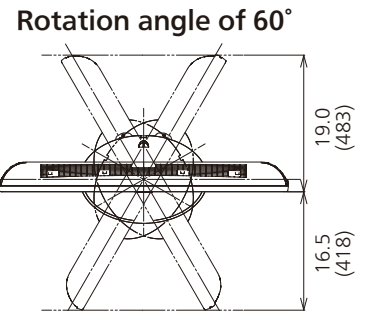
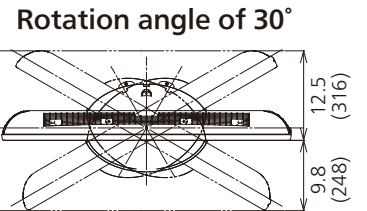
STANDARD (CERTIFICATIONS)

SAFETY REGULATIONS	UL6500 Ver.2, cUL, BETS-7
RADIATION REGULATIONS	FCC Part 15 Class-B, ICES-003, ISTA

DIMENSIONS

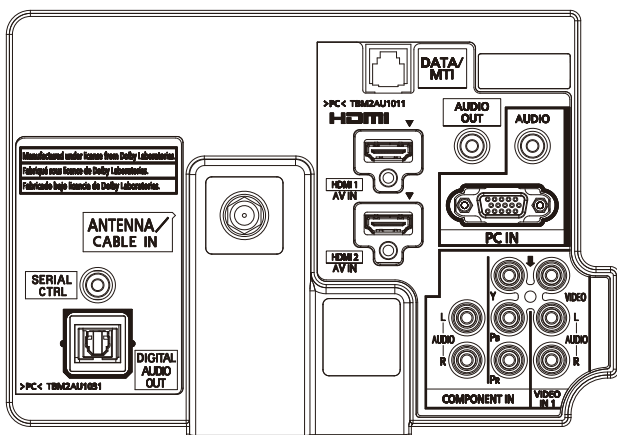


Cautions: This drawing is not a scale
Units : inches (mm)



CONNECTION TERMINAL

<rear>



<side>

