

Panasonic



55-inch Class 1080p Hospitality LED HDTV

TH-55LRU50

● Product specification (design and specification subject to change without notice)

■ DISPLAY PANEL

Screen Size (Diagonal)	55.0 -inch
Aspect ratio	16:9
Panel	IPS 1080p (WSXGA) / Edge-lit LED
Effective Display Area (W x H)	47.6" x 26.7" (1,210 x 680 mm)
Resolution (H x V)	1,920 x 1,080 pixel
Brightness (Panel)	400 cd/m ²
Viewing Angle	178 degrees
Response Time	7 ms (G to G)
Life Time	approx. 50,000 hours
Intelligent Scene Controller	Yes

■ RECEIVING SYSTEM

ATSC/NTSC/QAM	VHF/ UHF: 2 - 69, CATV: 1 - 135
FTG HD Support	EBL (embedded b-LAN) Requires FMA-PA101 or Local Authentication by SD Card

■ VIDEO

VIDEO CODEC	MPEG2, MPEG4/H.264
-------------	--------------------

■ CONNECTION TERMINAL

RF IN (Antenna / Cable)	1	
VIDEO IN	4C-3.5mm jack x 1 (rear), x 1 (side)	1.0 V [p-p] (75Ω)
AUDIO IN (L/R)	(Need adapter cable)	0.5 V [rms]
COMPONENT VIDEO IN	4C-3.5mm / 2.5mm jack combo x 1 (rear)	Y : with sync 1.0 V [p-p] (75Ω) P _B , P _R : ±0.35 V [p-p] (75Ω)
AUDIO IN (L/R)	(Need adapter cable)	0.5 V [rms]
HDMI IN	HDMI TYPE A connector x 3 (side)	
PC IN	MINI D-sub 15pin x 1 (Female) (rear)	R, G, B : 0.7 V [p-p] (75Ω) HD/VD : 1.0 - 5.0 V [p-p] (high impedance)
AUDIO IN (L/R)	3.5mm jack x 1 (rear)	0.5 V [rms]
AUDIO OUT (Digital / SPDIF)	Optical x 1 (rear)	
AUDIO OUT (Analog)	2.5mm jack x 1 (rear) (Need adapter cable)	0.5 V [rms]
SD Card slot	1	

■ CONTROL TERMINAL

DATA / MTI	RJ11 (6pin) x 1 (rear) (Compatible with LodgeNet game controller)
SERIAL Port	3.5mm jack x 1 (rear), RS232C

■ ELECTRICAL

Power Requirements	110-127 V AC, 60Hz (Detachable AC Power Cord 70.8" (1.8m))
Power Consumption	155W
On mode Average Power Consumption*	82W
Stand-by Power	0.9 W

*Based on IEC 62087 Ed.2 section 11.6.1 measurement method

■ AUDIO

Audio Output Power	10W + 10W (10%THD)
Invisible Speaker System Details	1 way 2 bottom Speaker
Sound System Type	AV Surround
Bass/Treble/Barance controls	Yes

■ DIMENSIONS & WEIGHT

Including TV Stand (W x H x D)	50.5" x 32.0" x 11.1" (1,281 x 811 x 282 mm)
TV Set Only (W x H x D)	51" x 30.2" x 2.1" (1,281 x 765 x 52 mm)
Carton Dimensions (W x H x D)	64.9" x 34.4" x 6.2" (1,647 x 872 x 156 mm)
Including TV Stand (Weight)	approx. 60.6 lbs. (27.5 kg)
TV Set Only (Weight)	approx. 52.5 lbs. (23.8 kg)
Gross weight	approx. 77.2 lbs. (35.0 kg)
Cabinet Color	Glossy Black

■ ENVIRONMENTAL

Operating environment	Temperature	: 32°F to 95°F (0°C to 35°C)
	Humidity	: 20% to 80% (Non condensation)
Storage environment	Temperature	: -4°F to 140°F (-20°C to 60°C)
	Humidity	: 20% to 90% (Non condensation)

UPC Code	885170077089
----------	--------------

MAIN FEATURE

VIERA Link™, HDAVI Control™	Yes
Fast Boot	Yes
Integrated Pro:Idiom	Yes
Local Authentication	Yes
Welcome Image	Yes
SD Card Slot	Image Viewer (JPEG playback) Cloning
OFF Timer	15/30/60/90
Hotel Mode	Initial INPUT Initial Channel Initial VOL level Maximum VOL level Button Lock Power Control

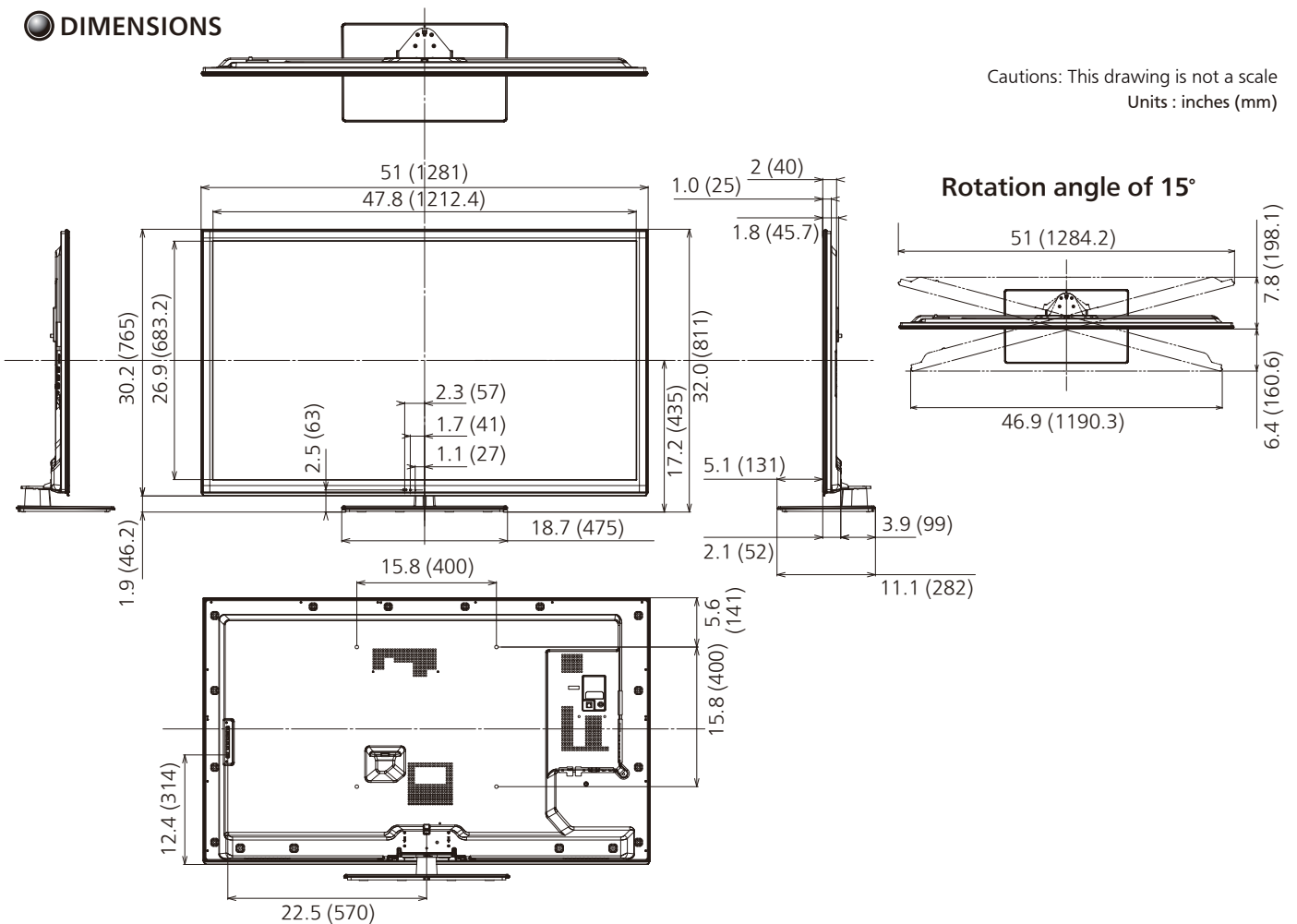
ACCESSORIES

INCLUDED ACCESSORIES	Swivel Stand (degrees:15) Component/AV adapter x 1 Video In 1/Audio Out adapter x 1 Video In 2 adapter x 1 AC Power Cord 70.8" (1.8m) Remote control transmitter Batteries for the Remote Control Transmitter (AA Battery x 2) Operating Instruction
Optional Accessories	*VESA Compliant W400 x H400mm

STANDARD (CERTIFICATIONS)

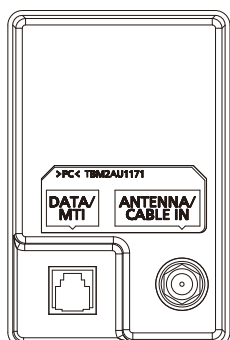
SAFETY REGULATIONS	UL6500 Ver.2, cUL, BETS-7
RADIATION REGULATIONS	FCC Part 15 Class-B, ICES-003, ISTA

DIMENSIONS

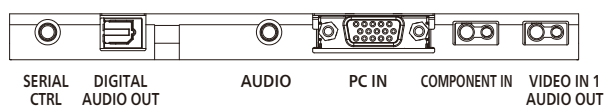


CONNECTION TERMINAL

<rear> (DATA/MTI)



(bottom)



<side>

