



*1-VMD Type2 : Intruder Detection / Loitering Detection / Direction Detection / Scene Change Detection / Object Detection / Cross Line Detection

HD / 1,280 x 720 60 fps H.264 Network Camera featuring Super Dynamic

Key Features

- **720p** HD images up to **60 fps***1
- Approximate 1/3 inches, high sensitivity MOS image sensor
- Super high resolution at HD/1,280 x 720 created by high sensitivity MOS image sensor.
- **Multiple H.264 (High profile) streams (max. 4 streams)** and **JPEG** streams ensure simultaneous real time monitoring and high resolution recording.
- **Enhanced Super Dynamic***1 and **ABS (Adaptive Black Stretch)** technologies deliver **133 dB** wider dynamic range compared to conventional cameras.
- **Smart coding Technology : Group of Pictures (GOP) control** function removes unnecessary information from the frame for realizing efficient encoding. **Auto VIQS (Variable Image Quality on Specified area)** function recognizes the no movement area in a video automatically and lowering the resolution of it to reduce the data size. With the latest bit rate reducing technology, **GOP control, Auto VIQS, 3D-MNR (Multi process Noise Reduction)** and **FDF (Frequency Divided Filter)**, the network bandwidth and the disk space of recorder can be saved.
- High sensitivity with **Day/Night (ICR*)** function: 0.01 lx (Color), 0.003 lx (B/W) at F1.6
*ICR: IR Cut filter Removal
- **IR LED** equipped: The equipped infrared LED makes it possible to take pictures at zero lx.
- **IR LED** is controlled to match the environment, thereby the camera
- New camera attachment bracket allows an **easy camera installation** toward all four directions.
- **ABF (Auto Back Focus)** ensures easy installation.
- **VIQS (Variable Image Quality on Specified area)** technology allows the designated **eight areas** to retain higher image quality while the excluded area will have a decreased image quality, which enables to use lower image file size and bit rate.
- Cropping function enables to provide whole image and the part image simultaneously. Up to 4 image capture areas can be specified, and it is also possible to control the sequence.
- **Face Super Dynamic** technology ensures clear face image.
- Lens distortion compensation for the distorted images can be adjusted 256 steps.
- Selectable light control modes:
Outdoor scene, Indoor scene (50 Hz) / Indoor scene (60 Hz), Fix shutter
Indoor scene (50 Hz/60Hz):
Flicker caused by fluorescent lightning will be automatically compensated.
- 2x extra optical zoom at 640 x 360 resolution
- 2x, 4x digital zoom controlled by browser
- **VMD (Video Motion Detection)** with 4 programmable detection areas, 15 steps sensitivity level and 10 steps detection size
- **Privacy Zone** can mask up to 8 private areas, such as house windows and entrances/exits.
- Alarm sources including 3 terminal input, VMD and Panasonic alarm command can trigger actions such as **SDXC/SDHC/SD** memory recording, **FTP** image transfer, **E-mail** notification, **Indication** on browser, **Alarm terminal output**, and **Panasonic alarm protocol output**.
- **Full duplex bi-directional audio** allows interactive communication between camera site and monitoring site.
- **Prioritized stream control:** One of the video streams can be prioritized when multiple recorders or client PCs are accessing the camera so that the recorder or the client PC can maintain the frame rate.
- Newly developed dome cover provides clearer images above the horizontal. Thereby, it expands the tilting range of the lens.
- **Face detection** function detects the position of human face and the information is sent by XML or video stream. (Optional)
- Can be added new intelligent extension software (Optional) in addition to built-in VMD (Video Motion Detection), alarm function.
- **Fog compensation function** equipped as standard.
- **HLC (High Light Compensation)** technology reduces strong light sources such as vehicle headlights to prevent camera being blinded.
- **Super Chroma Compensation** function realizes a better color reproducibility even in low illumination.
- H.264 max. bit rate/client and Total bit rate control allows network traffic management. Frame rate priority mode controls bit rate and compression ratio to provide the specified frame rate.
- Internet mode: H.264 images can be transmitted over HTTP protocol.
- Multi-language: English / Italian / French / German / Spanish / Portuguese / Russian / Chinese / Japanese
- Supports **SSL, DDNS (viewnetcam, RFC2136)**

*1 Super Dynamic function is automatically set off on 60 fps mode

Optional Accessories

<p>Ceiling Mount Bracket WV-Q105A</p> 	<p>Ceiling Mount Bracket WV-Q174B</p> 	<p>Smoke Dome Cover WV-CF5SA</p> 
---	--	---

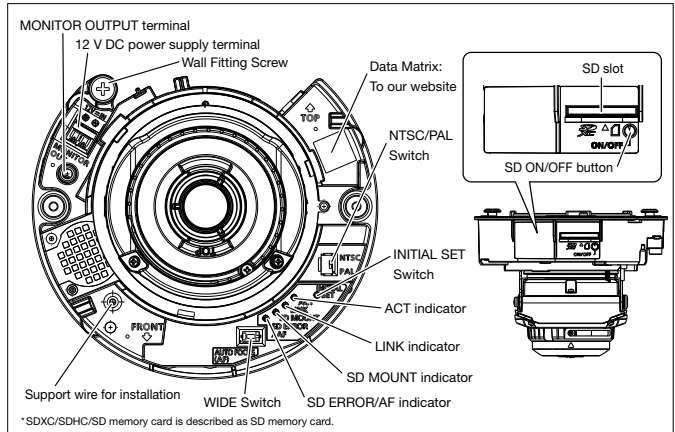
Specifications

Camera	Image Sensor	Approx. 1/3 type MOS image sensor	
	Scanning Mode	Progressive scan	
	Scanning Area	4.864 mm (H) x 3.891 mm (V) [3/16 inches(H) x 5/32 inches(V)]	
	Minimum Illumination	Color: 0 lx (F1.6, Maximum shutter : OFF (1/30 s), Gain: High, when the IR LED is lit) 0.01 lx, BW: 0.003 lx (F1.6, Maximum shutter : Max. 1/30s, Gain : On(High)) Color: 0.0007 lx, BW: 0.0002 lx (F1.6, Maximum shutter : Max. 16/30s, Gain : On(High)) ¹	
	IR LED Light	Off / Auto (High / Mid / Low)	
	IR LED irradiation distance	Approx. 30 m (98.43 feet)	
	White Balance	AWC (2,000 - 10,000 K), ATW1 (2,700 - 6,000 K), ATW2 (2,000 - 6,000 K)	
	Light Control Mode	Outdoor scene : Automatic integration of ALC and ELC Indoor scene [50 Hz] : Automatic integration of ALC and ELC with flickerless Indoor scene [60 Hz] : Automatic integration of ALC and ELC with flickerless	
	Shutter Speed	[1.3 mega pixel [16 : 9](60 fps mode)] Off(1/60), 1/100, 1/120, 1/250, 1/500, 1/1000, 1/2000, 1/4000, 1/10000 Other than [1.3 mega pixel [16 : 9](60 fps mode)] Off(1/30), 3/100, 3/120, 2/100, 2/120, 1/100, 1/120, 1/250, 1/500, 1/1000, 1/2000, 1/4000, 1/10000	
	Super Dynamic ²	On (High) / On (Normal) / Off	
	Face Super Dynamic	On / Off (Only when Super Dynamic : On)	
	Adaptive Black Stretch	On / Off (Only when Super Dynamic : Off)	
	Fog compensation	On / Off (Only when Super Dynamic / Adaptive black stretch : Off)	
	AGC	On (Low) / On (Mid) / On (High) / Off	
	Electronic Sensitivity UP	max. 1/1000 s, max. 1/500 s, max. 1/250 s, max. 1/100 s, max. 1/60 s, max. 1/30 s, max. 2/30 s, max. 4/30 s, max. 6/30 s, max. 10/30 s, max. 16/30 s	
	Day/Night (ICR)	Off / On / Auto1 (Normal) / Auto2 (IR Light) / Auto3 (SCC)	
	Dynamic Range	133 dB typ. (Super Dynamic : On, Light Control Mode : indoor)	
	Digital Noise Reduction	High / Low	
	Video Motion Detection	4 areas, Sensitivity : 15 steps, Detection size : 10 steps	
	Privacy Zone	Up to 8 zones	
VIQS	Up to 8 zones		
Camera Title (OSD)	Up to 20 characters (alphanumeric characters, marks)		
Electric Zoom	TELE / WIDE , Auto Coarse adjustment of Focus		
Focus Adjustment	ABF /MANUAL (Html only)		
Lens Distortion Compensation	256 steps		
Lens	Vari Focal Length	2.8 - 10mm (1/8 inches - 13/32 inches)	
	Angular Field of View	[16:9 mode] Horizontal : 27.9° (TELE) - 100.5° (WIDE) Vertical : 15.7° (TELE) - 54.8° (WIDE) [4:3 mode] Horizontal : 27.9° (TELE) - 100.0° (WIDE) Vertical : 21.0° (TELE) - 73.9° (WIDE)	
	Maximum Aperture Ratio	1 : 1.6 (WIDE) - 1 : 4.0 (TELE)	
	Focusing Range	0.3 m - ∞	
Adjusting Angle			
Horizontal: ± 180°, Vertical: ± 85°, Image tilt adjustment range: -225°(Left) to +120°(Right)			
Browser GUI	Cropping	H.264(1)/H.264(2)/H.264(3)/H.264(4) / H.264(all) / JPEG(1) / JPEG(2) / JPEG(3) Up to 4 image capture areas can be specified	
	Camera Control	Brightness, AUX On / Off	
	Display Mode	Spot, Quad : Image from 16 cameras can be displayed in 4 different Quad screens or 16 split screen (JPEG only). 20 characters camera title available.	
	Digital Zoom	1x, 2x, 4x controlled by browser GUI	
	Camera Title	Up to 20 alphanumeric characters	
	Clock Display	Time : 12H/24H, Date : 5 formats on the browser, Summer time (Manual)	
	Alarm Control	Reset	
	One Shot Capture	A still picture will be displayed on a newly opened window.	
	Audio	Mic (Line) Input : On / Off Volume adjustment : Low / Middle / High Audio Output : On / Off Volume adjustment : Low / Middle / High	
	SD Memory Data Download GUI / Setup Menu Language	Still or motion images recorded in the SDXC/SDHC/SD memory card can be downloaded. English, Italian, French, German, Spanish, Portuguese, Russian, Chinese, Japanese	
	System Log	Up to 100 (Internal) Up to 4,000 (SDXC/SDHC/SD memory when the recording format is set to JPEG) error logs	
	Supported OS ³	Microsoft® Windows® 10, Microsoft® Windows® 8.1, Microsoft® Windows® 8, Microsoft® Windows® 7, Microsoft® Windows Vista®	
	Supported Browser	Windows® Internet Explorer® 11 (32 bit), Windows® Internet Explorer® 10 (32 bit), Windows® Internet Explorer® 9 (32 bit), Windows® Internet Explorer® 8 (32 bit), Windows® Internet Explorer® 7 (32 bit), Safari*, Google Chrome*, Mozilla Firefox* * with limitations in the part of setting screen	
Network	Network IF	10Base-T / 100Base-TX, RJ45 connector	
	Image Resolution	•1.3 mega pixel [16 : 9] (30/60 fps) _1,280 x 720 / 640 x 360 / 320 x 180 / 160 x 90 •1.3 mega pixel [4 : 3] (30 fps) _1,280 x 960 / 800 x 600 / 640 x 480 / 400 x 300 / 320 x 240 / 160 x 120	
	H.264 ⁴	Transmission Mode	Constant bit rate / Variable bit rate / Framerate priority / Best effort / Advanced VBR
		Frame Rate	1 / 3 / 5 / 7.5 / 10 / 12 / 15 / 20 / 30 / 60 fps
		Bit Rate/Client	64 / 128 / 256 / 384 / 512 / 768 / 1,024 / 1,536 / 2,048 / 3,072 / 4,096 / 6,144 / 8,192 / 10,240 / 12,288 / 14,336 / 16,384 / 20,480 / 24,576 kbps
		Image Quality	Low / Normal / Fine
		Smart Coding mode	On (Low / Mid / High) / Off (Only when "Variable bit rate" is selected)
		Refresh interval	0.2 / 0.25 / 0.33 / 0.5 / 1 / 2 / 3 / 4 / 5s
		Transmission Type	Unicast / Multicast
	JPEG	Image Quality	10 steps
		Refresh interval	0.1 fps - 30 fps (JPEG frame rate will be restricted when displaying both JPEG and H.264 images.)
	Transmission Type	Pull / Push	
	Audio Compression	G.726 (ADPCM) 32 kbps / 16 kbps, G.711 64 kbps / AAC-LC ⁵	
	Audio Mode	Off / Mic (Line) input / Audio output / Interactive (Half duplex) / Interactive (Full duplex)	
	Authentication for Audio	Level 1 only / Level 2 higher / All users	
	Total Bit Rate	64 / 128 / 256 / 384 / 512 / 768 / 1,024 / 2,048 / 4,096 / 8,192 kbps / Unlimited	
	Supported Protocol	IPv6 : TCP/IP, UDP/IP, HTTP, HTTPS, RTP, FTP, SMTP, DNS, NTP, SNMP, DHCPv6, MLD, ICMP, ARP IPv4 : TCP/IP, UDP/IP, HTTP, HTTPS, RTP, FTP, SMTP, DNS, DDNS, NTP, SNMP, UPnP, IGMP, ICMP, ARP	
	FTP Client	Alarm image transmission, FTP periodic transmission (When the FTP transmission is failed, backup on an optional SDXC/SDHC/SD memory card is available.)	
	No. of Simultaneous Users	Up to 14 users (Depends on network conditions)	

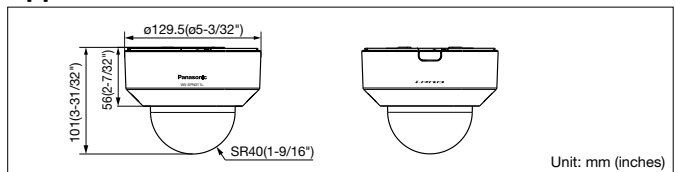
Network	SDXC/SDHC/SD Memory Card (Option) * Manufactured by Panasonic (SD speed class 4 or higher) * Use the SD memory card that complies with UHS-1 (Ultra High Speed-1) in the case of SD Speed Class 10.	H.264 recording : Manual REC / Alarm REC (Pre/Post) / Schedule REC / Backup upon network failure JPEG recording : Manual REC / Alarm REC (Pre/Post) / Backup upon network failure Compatible SD (SDHC/SDXC) card : Panasonic 2 GB, 4 GB*, 8 GB*, 16 GB*, 32 GB*, 64 GB** model *SDHC card, **SDXC card (except miniSD card and microSD card)
	Cellular Phone Compatibility	JPEG image, AUX control (by access level)
Alarm	Mobile Terminal Compatibility	iPad, iPhone, iPod touch (iOS 4.2.1 or later), Android™ mobile terminals
	Alarm Source	3 terminals input, VMD, Command alarm, Audio detection alarm
Input/Output	Alarm Actions	SDXC/SDHC/SD memory recording, E-mail notification, HTTP alarm notification Indication on browser, FTP image transfer, Panasonic protocol output
	Alarm Log	With SDXC/SDHC/SD memory card : Up to 50,000 logs for each SD memory card
General	Schedule	Alarm / VMD / Access permission / H.264 recording / Scene file
	Monitor Output (for adjustment)	VBS : 1.0 V [p-p]/75 Ω, NTSC / PAL composite, ø3.5mm mini jack MONITOR OUT conversion plug included
Audio Output	Microphone/Line Input	MIC IN and Line IN are selectable. ø3.5 mm monaural mini jack (monaural input) (Applicable microphone: Plug-in power type) Supply voltage : 2.5 V ±0.5 V Input impedance : Approx. 2 kΩ (unbalanced)
	Audio Output	ø3.5 mm stereo mini jack (monaural output) Output impedance : Approx. 600 Ω (unbalanced)
External I/O Terminals	External I/O Terminals	ALARM IN 1(DAY/NIGHT IN), ALARM IN 2(ALARM OUT), ALARM IN 3(AUX OUT)
	Safety	UL (UL60950-1), C-UL (CAN/CSA C22.2 No.60950-1), CE, IEC60950-1
EMS	EMS	FCC (Part15 ClassA), ICES003 ClassA, EN55022 ClassB, EN55024
	Power Source and Power Consumption	When IR LED is ON PoE (IEEE802.3af compliant) Device : DC48 V / 200 mA / Approx. 9.6 W* (Class 0 device) DC power supply : DC12 V / 600 mA / Approx. 7.2 W * ONLY CONNECT DC12 V CLASS 2 POWER SUPPLY.
Ambient Operating Temperature	Ambient Operating Temperature	-10 °C to +50 °C (14 °F to 122 °F)
	Ambient Operating Humidity	10 to 90 % (no condensation)
Dimensions	Dimensions	ø129.5 mm x 101 mm (H) (ø5-3/32 inches x 3-31/32 inches (H)) Dome radius 40 mm (1-9/16 inches)
	Mass (approx.)	0.45 kg (1.00 lbs)
Finish	Finish	Main body : ABS resin, sail white Dome section : Clear acrylic resin

¹ Converted value ² Super Dynamic function is automatically set off on 60 fps mode.
³ Refer to "Notes on Windows Vista® / Windows® 7 / Windows® 8 / Windows® 8.1 / Windows® 10" on the provided CD-ROM for further information about system requirements for a PC and precautions when using Microsoft® Windows® 10, Microsoft® Windows® 8.1 or Microsoft® Windows® 8 or Microsoft® Windows® 7 or Microsoft® Windows Vista®.
⁴ Transmission for 4 streams can be individually set.
⁵ AAC-LC (Advanced Audio Coding - Low Complexity) is only used when recording audio on an SD memory card.

Part Names and Functions



Appearance



Trademarks and registered trademarks

- Microsoft, and Windows are registered trademarks of Microsoft Corporation in the U.S. and other countries.
- iPad, iPhone and iPod touch are registered trademarks of Apple Inc.
- Android is a trademark of Google Inc.
- "i-PRO SmartHD" logo is trademark or registered trademark of Panasonic Corporation.
- ONVIF and the ONVIF logo are trademarks of ONVIF Inc.
- All other trademarks identified herein are the property of their respective owners.

Important

- Safety Precaution: Carefully read the Important Information, Installation Guide and operating instructions before using this product.
- Panasonic cannot be responsible for the performance of the network and/or other manufacturers' products used on the network.
- Masses and dimensions are approximate. • Specifications are subject to change without notice.

DISTRIBUTED BY :

Panasonic

<http://security.panasonic.com>

<http://www.facebook.com/PanasonicNetworkCamera>

(2A-122CL)