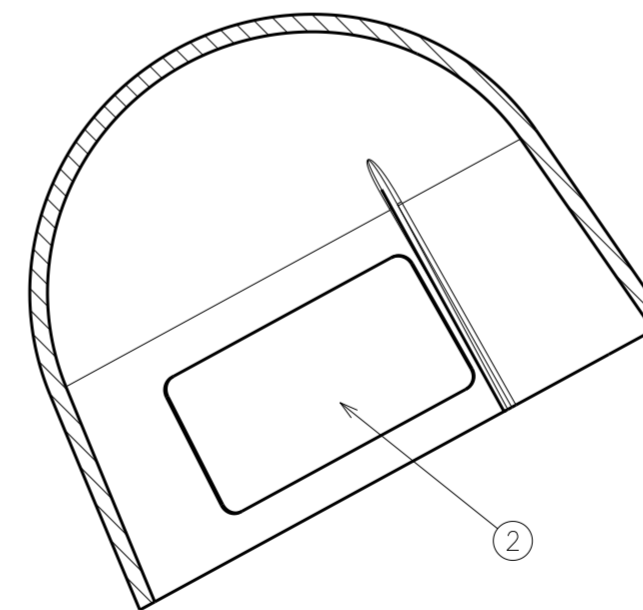
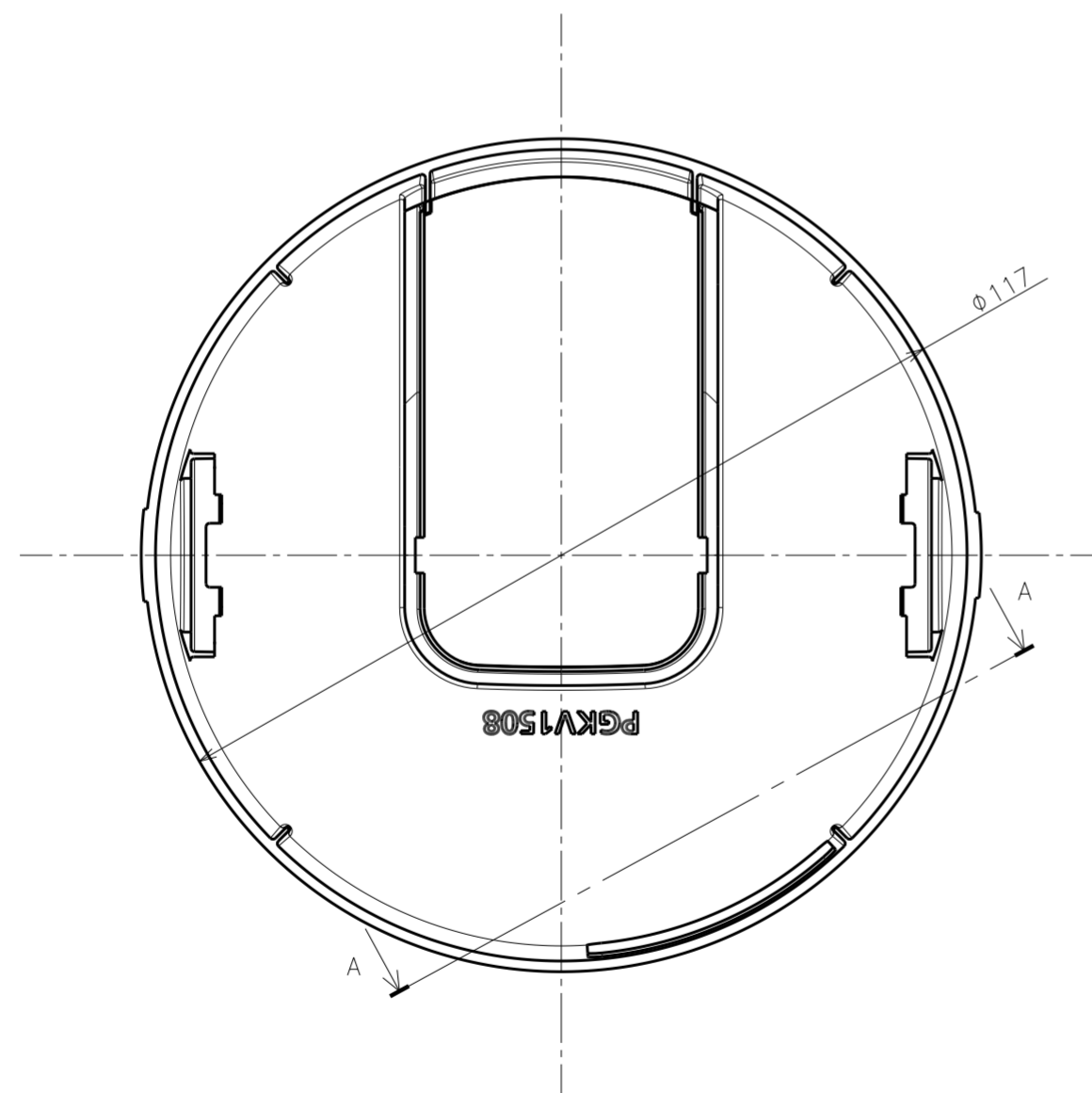
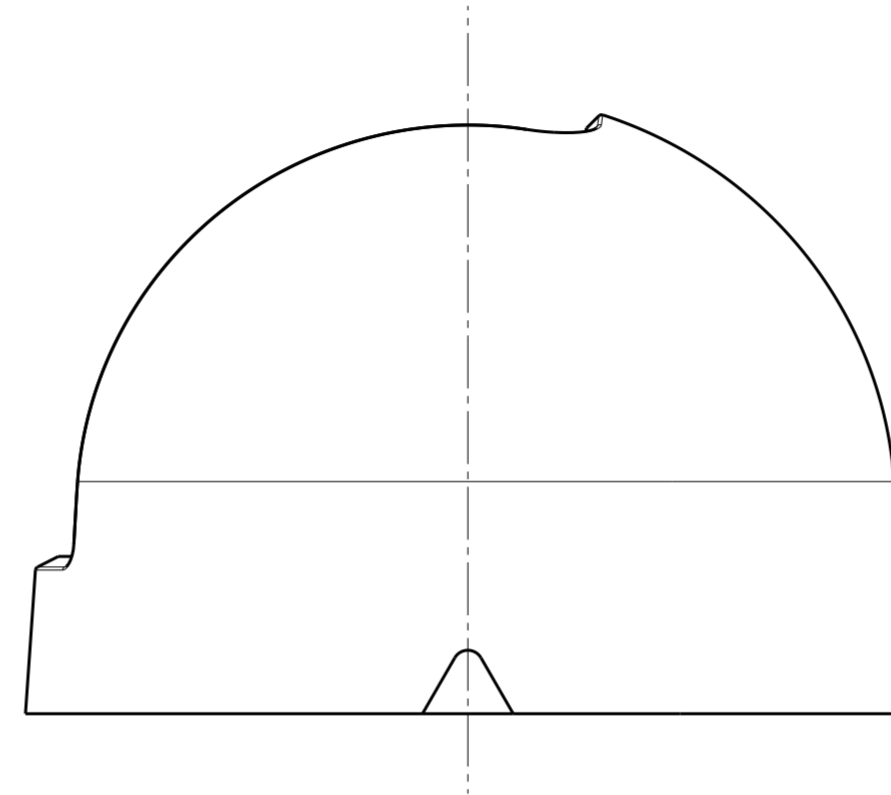
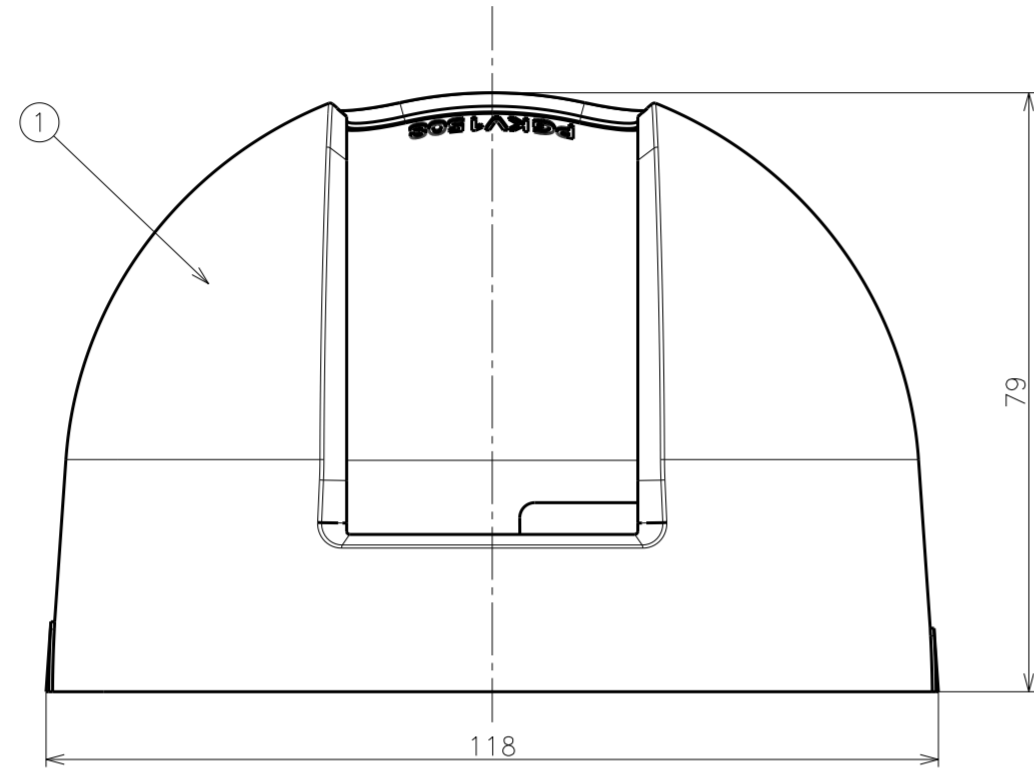


No.	Part Name	Material	Process·Remark
1	INNER COVER	ABS	
2	MAIN NAME PLATE	Polyester Film	Printing



断面图 A-A (1:1)