

## iA (intelligent Auto) H.265 Network Camera with tele lens

Panasonic WV-S1531LTN captures the highest quality images automatically even in very challenging and fast-changing surveillance environments. Intelligent Auto (iA) allows the camera to automatically adjust the key settings in real-time depending on the scenery and movement, reducing distortion such as motion blur and moving objects. New industry-leading 144dB dynamic range delivers balanced scene exposure in dynamic and extreme-backlit lighting environments. In addition, color night vision provides outstanding low-light performance with accurate color rendition and saturation from i-Pro's 1/3" sensor, rivaling the performance of costlier 1/2" sensor cameras in the market. The adopted H.265 Smart Coding technology, intelligently reduces bandwidth efficiency of up to 95%\* more than H.264 for longer recording and less storage. Cameras out-of-the-box, support full data encryption streaming and is compliant to FIPS 140-2 Level 1 standards to keep your video secured.

\*Value in Advanced mode with Smart Facial Coding. It depends on the scene.

### Extreme image quality allows evidence to be captured even under challenging conditions

- Auto Shutter speed control for fast moving vehicles
- Sharp and clear images of a walking person day & night
- Outstanding low light performance in true color with low noise for night time applications
- Super Dynamic 144dB for backlit situations involving headlights and shadows on night streets
- Environmental durability : IP66, IK10 and Dehumidification device

### Extreme H.265 compression with new Smart Coding

- Longer recording and less storage compared to any H.264 based compression techniques
- New self-learning ROI\* encoding (Auto VIQS) detects movement within the image and compresses the areas with little motion in order to reduce transmitted data while maintaining the quality of the image.
- New "Smart Facial Coding" adds more bandwidth reduction for ID camera applications mainly capturing faces

\*Region of Interest

### Extreme Data Security

- Full encryption SD card edge recording to keep your data safe
- FIPS 140-2 Level 1 compliant
- Full end-to-end system encryption with supported VMS and devices to protect from IP snooping/spoofing and detect data alteration

### Key Features

- Full HD 1080p 60fps
- iA (intelligent Auto)
- Extreme Super Dynamic 144dB
- Color night vision (0.001 to 0.015 lx)
- H.265 Smart Coding
- FIPS 140-2 Level 1 compliant
- ClearSight Coating

### Industry examples

- Public safety (City / Highway toll / Parking gate)
- Transportation (Airport / Train / Subway)
- Retail / Bank / Logistics / Education / Hospital / Building

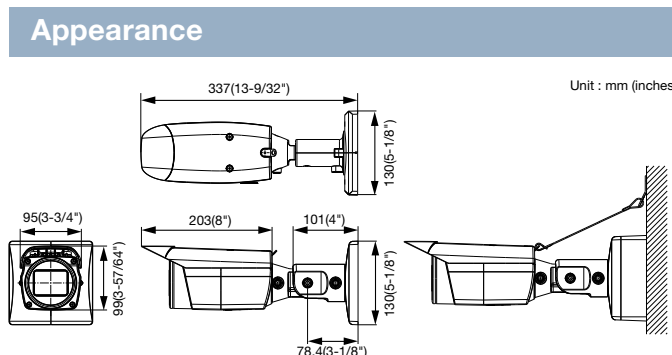


# Specifications

<b>Camera</b>	Image Sensor	Approx. 1/3 type MOS image sensor
	Minimum Illumination	Color : 0.015 lx, BW : 0.008 lx (F1.7, Maximum shutter : Off (1/30s), AGC : 11) BW : 0 lx (F1.7, Maximum shutter : Off (1/30 s), AGC : 11, when the IR LED is lit) Color : 0.001 lx, BW : 0.0005 lx (F1.7, Maximum shutter : max. 16/30s, AGC : 11) *1
	White Balance	AWC (2,000 - 10,000 K), ATW1 (2,700 - 6,000 K), ATW2 (2,000 - 6,000 K)
	Shutter Speed	1/30 Fix to 1/10000 Fix *1/30 Fix to 2/120 Fix is available during 30 fps mode only. *1/60 Fix is available during 60 fps mode only.
	Intelligent Auto	On / Off
	Super Dynamic*2	On / Off, the level can be set in the range of 0 to 31.
	Dynamic Range	144 dB (Super Dynamic : On)
	Adaptive Black Stretch	The level can be set in the range of 0 to 255.
	Back light compensation / High light compensation	BLC (Back light compensation) / HLC (High light compensation) / Off (only when Super dynamic and Intelligent Auto : Off)
	Fog compensation	On / Off (only when Intelligent Auto and Auto contrast adjust : Off)
	Maximum gain (AGC)	The level can be set in the range of 0 to 11.
	Color/BW (ICR)	Off / On(IR Light Off) / On(IR Light On) / Auto1(IR Light Off) / Auto2(IR Light On) / Auto3(SCC)
	IR LED	High / Middle / Low / Off, Maximum irradiation distance : 40 m (Approx. 131 ft)
	Digital Noise Reduction	The level can be set in the range of 0 to 255.
	Video Motion Detection (VMD)	On / Off, 4 areas available
	Intelligent VMD (i-VMD) *3	Type 4 *optional plug-in software WV-SAE200
	Stabilizer *3	On / Off (available only in the 30 fps mode)
	Privacy Zone	On / Off (up to 8 zones available)
	Image rotation*4	0 ° / 90 ° / 180 ° / 270 °
	Camera Title (OSD)	On / Off Up to 20 characters (alphanumeric characters, marks)
Focus Adjustment	Auto back focus / Manual	
<b>Lens</b>	Focal length	9.0 - 21 mm (11/32 inches - 13/16 inches)
	Zoom ratio	2.3 x (Motorized zoom / Motorized focus)
	Angular Field of View	[16 : 9 mode] Horizontal : 14° (TELE) - 34° (WIDE) Vertical : 8° (TELE) - 19° (WIDE) [4 : 3 mode] Horizontal : 12° (TELE) - 28° (WIDE) Vertical : 9° (TELE) - 21° (WIDE)
	Maximum Aperture Ratio	1 : 1.7 (WIDE) - 1 : 3.0 (TELE)
	Focusing Range	2.0 m (78-13/16 inches) - ∞
<b>Adjusting Angle</b>	Ceiling mounting	Horizontal : ±180° (PAN rotation part) Vertical : 0° to 100° (TILT rotation part) Yaw : -190° to +100° (YAW rotation part)
	Wall mounting	Horizontal : ±100° (TILT rotation part) Vertical : ±100° (TILT rotation part) Yaw : -190° to +100° (YAW rotation part) * You can change between horizontal and vertical angles by adjusting the PAN rotation part.
<b>Browser GUI</b>	Camera Control	Brightness, AUX : Open / Close
	Audio	Mic (Line) Input : On / Off Volume adjustment : Low / Middle / High Audio Output : On / Off Volume adjustment : Low / Middle / High
	GUI / Setup Menu Language	English, Italian, French, German, Spanish, Portuguese, Russian, Chinese, Japanese
<b>Network</b>	Network IF	10Base-T / 100Base-TX, RJ45 connector
	Resolution	<b>*2 mega pixel [16 : 9] (30/60 fps)</b> 1,920 x 1,080 / 1,280 x 720 / 640 x 360 / 320 x 180
	H.265 / H.264 JPEG (MJPEG)	<b>*3 mega pixel [4 : 3] (30 fps)</b> 2,048 x 1,536 <sup>5</sup> / 1,280 x 960 / 800 x 600 / 640 x 480 / 400 x 300 / 320 x 240
	H.265 / H.264 *6 JPEG	Constant bit rate / VBR / Frame rate / Best effort Unicast / Multicast 10 steps
	Transmission Mode	
	Image Quality	

<b>Network</b>	Smart Coding	Smart Facial Coding*3 : On (Smart Facial Coding) / On (Auto VIQS) / Off *Smart Facial Coding is only available with Stream(1). GOP (Group of pictures) : On (Advanced) / On (Low) / On (Mid) / Off *On(Advanced) is only available with H.265.	
	Audio Compression	G.726 (ADPCM) : 16 kbps / 32 kbps G.711 : 64 kbps AAC-LC*7 : 64 kbps / 96 kbps / 128 kbps	
	Audio transmission mode	Off / Mic (Line) input / Audio output / Interactive (Half duplex) / Interactive (Full duplex)	
	Supported Protocol	IPv6 : TCP/IP, UDP/IP, HTTP, HTTPS, RTP, FTP, SMTP, DNS, NTP, SNMP, DHCPv6, MLD, ICMP, ARP, IEEE 802.1X, DiffServ IPv4 : TCP/IP, UDP/IP, HTTP, HTTPS, RTSP, RTP, RTP/RTCP, FTP, SMTP, DHCP, DNS, DDNS, NTP, SNMP, UPnP, IGMP, ICMP, ARP, IEEE 802.1X, DiffServ	
	No. of Simultaneous Users	Up to 14 users (Depends on network conditions)	
	SDXC/SDHC/SD Memory Card (Option)	H.265 / H.264 recording : Manual REC / Alarm REC (Pre/Post) / Schedule REC / Backup upon network failure JPEG recording : Manual REC / Alarm REC (Pre/Post) / Backup upon network failure Compatible SDXC/SDHC/SD Memory Card : Panasonic 2 GB, 4 GB*, 8 GB*, 16 GB*, 32 GB*, 64 GB**, 128 GB**, 256GB** model *SDHC card, ** SDXC card (except miniSD card and microSD card)	
	Mobile Terminal Compatibility	iPad, iPhone, Android™ mobile terminals	
	<b>Alarm</b>	Alarm Source	3 terminals input, VMD alarm*8, Command alarm, Audio detection alarm
		Alarm Actions	SDXC/SDHC/SD memory recording, E-mail notification, HTTP alarm notification Indication on browser, FTP image transfer, Panasonic alarm protocol output
	<b>Input/ Output</b>	Monitor Output (for adjustment)	VBS : 1.0 V [p-p] / 75 Ω, composite, Pin jack An NTSC or PAL signal can be outputted from camera
Audio input		ø3.5 mm stereo mini jack Input impedance: Approx. 2 kΩ (unbalanced) (Applicable microphone : Plug-in power type) Supply voltage : 2.5 V ±0.5 V	
Audio Output		ø3.5 mm stereo mini jack (monaural output) Output impedance : Approx. 600 Ω (unbalanced)	
<b>General</b>	External I/O Terminals	ALARM IN1(Alarm input 1/ Black & white input/ Auto time adjustment input), ALARM IN2(Alarm input 2/ ALARM OUT), ALARM IN3(Alarm input 3/ AUX OUT) (x1 for each)	
	Safety	UL (UL60950-1), c-UL (CSA C22.2 No.60950-1), CE, IEC60950-1 EMC FCC (Part15 ClassA), ICES003 ClassA, EN55032 ClassB, EN55024	
	Power Source and Power Consumption	DC power supply : DC12 V 750 mA, Approx. 9.0 W PoE (IEEE802.3af compliant) Device : DC48 V 195 mA, Approx. 9.4 W (Class 0 device)	
	Ambient Operating Temperature	IR LED : On -40 °C to +50 °C (-40 °F to 122 °F), IR LED : Off -40 °C to +60 °C (-40 °F to 140 °F) Power On range : -30 °C to +60 °C (-22 °F to +140 °F)	
	Ambient Operating Humidity	10 to 100 % (no condensation)	
	Water and Dust Resistance	IP66, IEC60529 measuring standard compatible, Type 4X(UL50), NEMA 4X compliant	
	Shock Resistance	IK10 (IEC 62262)	
	Dimensions	130 mm (W) x 130 mm (H) x 337 mm (L) * Installing using the base bracket {5-1/8 inches (W) x 5-1/8 inches (H) x 13-9/32 inches (L)}	
	Mass (approx.)	Approx. 1.7 kg (3.75 lbs) When using the adapter box : Approx. 2.2 kg (4.85 lbs)	
	Finish	Main body : Aluminum die cast, Metallic silver Front cover section clear part : Clear polycarbonate resin (ClearSight coating)	

\*1 Converted value  
\*2 Super Dynamic function is automatically set off on 60 fps mode.  
\*3 Stabilizer, Smart Facial Coding, i-VMD can not be used at the same time.  
\*4 When "3 mega pixel [4 : 3] (30fps mode)" is selected for "Image capture mode", "90 °" and "270 °" cannot be selected.  
\*5 Used by super resolution techniques  
\*6 Transmission for 4 streams can be individually set.  
\*7 When recording audio on an SD memory card, only use AAC-LC (Advanced Audio Coding - Low Complexity).  
\*8 Including alarms from Plug-in Software



**Trademarks and registered trademarks**  
 - iPad and iPhone are trademarks of Apple Inc., registered in the U.S. and other countries.  
 - Android is a trademark of Google LLC.  
 - ONVIF and the ONVIF logo are trademarks or registered trademarks of Onvif Inc.  
 - All other trademarks identified herein are the property of their respective owners.  
 • Masses and dimensions are approximate. • Specifications are subject to change without notice.

DISTRIBUTED BY :

## Optional Accessories

<b>Pole Mount Bracket</b> <b>WV-Q188</b> (Fine silver)		<b>Corner Mount Bracket</b> <b>WV-Q189</b> (Fine silver)	
<b>Plug-in Software for i-VMD</b> <b>WV-SAE200</b> i-VMD is possible to detect objects in the specified area by advanced video analysis technology. i-VMD : Intruder Detection, Loitering Detection, Direction Detection, Scene Change Detection, Object Detection, Cross Line Detection			
		Notification sent to the monitoring screen	

**Important**  
 - Safety Precaution : Carefully read the Important Information, Installation Guide and operating instructions before using this product.  
 - Panasonic cannot be responsible for the performance of the network and/or other manufacturers' products used on the network.

