

# Full HD Weatherproof Dome Network Camera

# Panasonic

# WV-V2530LK

## 2 Megapixel 1080p Weatherproof Dome Camera Equipped with IR LED



ONVIF® | S G



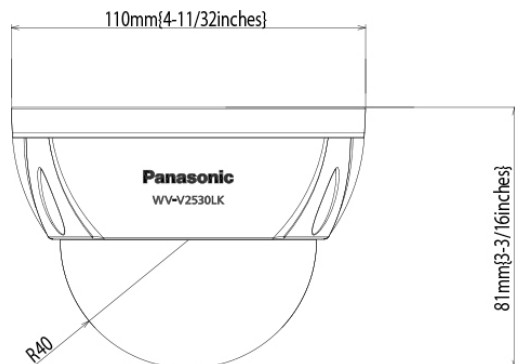
### Specifications

Camera	
Image Sensor	Approx. 1/2.8 type CMOS image sensor
Min Illumination	0.2 lx / F2.0 (color)*, 0 lx / F2.0 (IR on) <sup>1</sup>
Gain	Auto/ Manual
Back light compensation	OFF/ BLC/ HLC/ WDR
Shutter speed	Auto/ Manual, 1/3(4) sec~1/100000 sec
Day / Night	Auto(ICR) / Color/ Black & White
IR LED Light	Irradiation distance: 30 m {98 ft 5-3/32 inches}
White Balance	Auto/ Natural/ Street Lamp/ Outdoor/Manual
Digital Noise Reduction	3DNR ON/ OFF
Privacy masking	Up to 4 areas
Video Motion Detection	Off/ On (4 Zone, Rectangle)
Tampering/ Audio/ Alarm Detection	On/Off
Lens	
Focal Length *1	3.6 mm
Angular Field of View *1	H: 87° V: 48°
Network	
Network	10BASE-T/ 100BASE-TX, RJ45 connector
Resolution	1080P(1920x1080) / 1.3 M (1280x960) / 720P (1280x720)/ 640x480 / 640x360 / 320x240
Image compression method	H.265/ H.264/ MJPEG
Frame Rate	1 to 50/60 fps
Protocol	IPv4/ IPv6, HTTP, HTTPS, SSL, TCP/ IP, UDP, UPnP, ICMP, IGMP,SNMP, RTSP, RTP, SMTP, NTP, DHCP, DNS, DDNS, FTP, QoS, 802.1x
Maximum concurrent access number	20 users (Number of sessions that can connect to cameras at the same time)
Compatible micro SDXC/ SDHC memory card *2 *3	4 to 128 GB
General	
Power source	12 V DC, PoE (IEEE802.3af compliant)
Power Consumption	12 V DC: 500 mA / Approx. 6 W PoE 48 V DC: 72 mA / Approx. 3.5 W (Class 0 device)
Ambient Operating Temperature / Humidity	-30 °C to +60 °C {-22 °F to 140 °F} 10 % to 90 % (no condensation)
Water and Dust Resistance	Main body: IP66
Vandal Resistant	Compliant with IK10 (IEC62262)
Dimensions	Φ110 mm × 81 mm (H) {ø4-11/32 inches × 3-3/16 inches (H)}
Weight (approx.)	Approx. 410 g {0.9 lbs}

### Key Features

- High-performance CMOS image sensor.
- Focal length : 3.6 mm
- H.265 / H.264 & MJPEG triple-stream encoding
- 60fps@1080P (1920 ×1080).
- Support Day night (ICR) for day time and night time operation.
- Max. IR LEDs length 30 m {98 ft 5-3/32 inches} .
- IP66 rated water and dust resistant.
- PoE.

### Appearance



\*1 Depending on the product, the value may vary.

\*2 When repeatedly recording images on a micro SD memory card using the auto overwrite function, make sure to use a micro SD memory card with high reliability and durability.

\*3 Use the micro SD memory card that complies with UHS-1 (Ultra High Speed-1) in the case of SD Speed Class 10.

#### Important

- Safety Precaution: Carefully read the operating instruction manual before using this product.

- All pictures are simulated.
- Weights and dimensions are approximate.
- Specifications are subject to change without notice.

**DISTRIBUTED BY:**