

# Panasonic®

## Operating Instructions

### Basic Guide

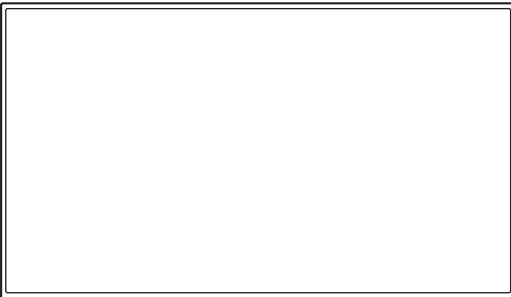
UHD LCD TV

English

Model No.	TH-86CQ1U	86-inch model
	TH-75CQ1U	75-inch model
	TH-65CQ1U	65-inch model
	TH-55CQ1U	55-inch model
	TH-50CQ1U	50-inch model
	TH-43CQ1U	43-inch model

## Contents

Important Safety Instructions	2
FCC STATEMENT	3
Important Safety Notice	4
Safety Precautions	6
Precautions for use	8
Accessories	10
Kensington security	12
Connections	13
Identifying Controls	17
Basic Controls	19
Specifications	21
PANASONIC PROFESSIONAL DISPLAY Limited Warranty	23
LIMITED WARRANTY STATEMENT	24



### Read before use

For more information about this product, please read the “Operating Instructions – Functional Manual”.

To download the “Operating Instructions – Functional Manual”, please visit the Panasonic website (<https://panasonic.net/cns/prodisplays/>).

- This manual is common to all the models regardless of suffixes of the model number.
- Please read these instructions before operating your set and retain them for future reference.
- Illustrations and screens in this Operating Instructions are images for illustration purposes, and may be different from the actual ones.
- Descriptive illustrations in this Operating Instructions are created mainly based on the 55-inch model.

**4K**  
PROFESSIONAL

\*Actual resolution: 3840 × 2160p

**HDMI™**

**DOLBY AUDIO™**

Manufactured under license from Dolby Laboratories.  
Dolby, Dolby Audio and the double-D symbol are trademarks of Dolby Laboratories.

# Important Safety Instructions



**WARNING: To reduce the risk of electric shock, do not remove cover or back.**

**No user-serviceable parts inside. Refer servicing to qualified service personnel.**



The lightning flash with arrow-head within a triangle is intended to tell the user that parts inside the product are a risk of electric shock to persons.



The exclamation point within a triangle is intended to tell the user that important operating and servicing instructions are in the papers with the appliance.

## WARNING:

**To prevent damage which may result in fire or shock hazard, do not expose this apparatus to rain or moisture.**

**Do not place containers with water (flower vase, cups, cosmetics, etc.) above the set. (including on shelves above, etc.)**


## WARNING:

1) To prevent electric shock, do not remove cover. No user serviceable parts inside. Refer servicing to qualified service personnel.

2) **86-inch model**

Do not remove the grounding pin on the power plug. This apparatus is equipped with a three pin grounding-type power plug. This plug will only fit a grounding-type power outlet. This is a safety feature. If you are unable to insert the plug into the outlet, contact an electrician.

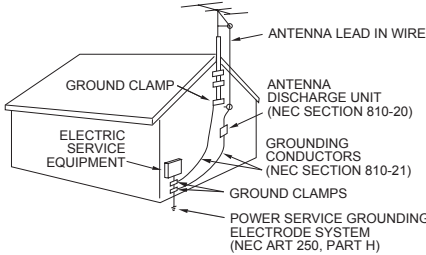
Do not defeat the purpose of the grounding plug.

- 1) Read these instructions.
- 2) Keep these instructions.
- 3) Heed all warnings.
- 4) Follow all instructions.
- 5) Do not use this apparatus near water.
- 6) Clean only with dry cloth.
- 7) Do not block any ventilation openings. Install in accordance with the manufacturer's instructions.
- 8) Do not install near any heat sources such as radiators, heat registers, stoves, or other apparatus (including amplifiers) that produce heat.
- 9) Do not defeat the safety purpose of the polarized or grounding-type plug. A polarized plug has two blades with one wider than the other. A grounding type plug has two blades and a third grounding prong. The wide blade or the third prong are provided for your safety. If the provided plug does not fit into your outlet, consult an electrician for replacement of the obsolete outlet.
- 10) Protect the power cord from being walked on or pinched particularly at plugs, convenience receptacles, and the point where they exit from the apparatus.
- 11) Only use attachments / accessories specified by the manufacturer.
- 12) Use only with the cart, stand, tripod, bracket, or table specified by the manufacturer, or sold with the apparatus. When a cart is used, use caution when moving the cart / apparatus combination to avoid injury from tip-over. 
- 13) Unplug this apparatus during lightning storms or when unused for long periods of time.
- 14) Refer all servicing to qualified service personnel. Servicing is required when the apparatus has been damaged in any way, such as power-supply cord or plug is damaged, liquid has been spilled or objects have fallen into the apparatus, the apparatus has been exposed to rain or moisture, does not operate normally, or has been dropped.
- 15) **86-inch model**

To prevent electric shock, ensure the grounding pin on the AC cord power plug is securely connected.
- 16) If an outside antenna is connected to the receiver, confirm that the antenna system is grounded to protect against voltage surges and built up static charges. Section 810 of the National Electrical Code, ANSI/NFPA 70-1984, provides information with respect to proper grounding of the mast and supporting structure, grounding of the lead-in wire to an antenna discharge unit, size of grounding connectors, location of antenna discharge unit, connection to grounding electrodes, and requirements for the grounding electrode.

The cable distribution system should be grounded (earthed) in accordance with ANS/NFPA 70, the National Electrical Code (NEC), in particular Section 820.93, Grounding of Outer Conductive Shield of a Coaxial Cable.

**EXAMPLE OF ANTENNA GROUNDING AS PER (NEC) NATIONAL ELECTRICAL CODE**



- **Lightning** — For added protection for this television equipment during a lightning storm, or when it is left unattended and unused for long periods of time, unplug it from the wall outlet and disconnect the antenna. This will prevent damage to the equipment due to lightning and power-line surges.
- **Power Lines** — An outside antenna system should not be located in the vicinity of overhead power lines or other electric light or power circuits, or where it can fall into such power lines or circuits. When installing an outside antenna system, extreme care should be taken to keep from touching such power lines or circuits as contact with them might be fatal.

17) An outside antenna system should not be located in the vicinity of overhead, power lines, other electric light, power circuits, or where it can fall into such power lines or circuits. When installing an outside antenna system, extreme care should be taken to keep from touching such power lines or circuits as contact with them might be fatal.

# FCC STATEMENT

This equipment has been tested and found to comply with the limits for a class B digital device, pursuant to part 15 of the FCC Rules. These limits are designed to provide reasonable protection against harmful interference in a residential installation.

This equipment generates, uses and can radiate radio frequency energy and, if not installed and used in accordance with the instructions, may cause harmful interference to radio communications. However, there is no guarantee that interference will not occur in a particular installation. If this equipment does cause harmful interference to radio or television reception, which can be determined by turning the equipment off and on, the user is encouraged to try to correct the interference by one or more of the following measures:

- Reorient or relocate the receiving antenna.
- Increase the separation between the equipment and receiver.
- Connect the equipment into an outlet on a circuit different from that to which the receiver is connected.
- Consult the dealer or an experienced radio/TV technician for help.

**FCC CAUTION:**

**To assure continued compliance, follow the attached installation instructions and use only the provided power supply cord. Any changes or modifications not expressly approved by Panasonic Corp. of North America could void the user's authority to operate this device.**

Supplier's Declaration of Conformity

Model No.

TH-86CQ1U, TH-75CQ1U, TH-65CQ1U,  
TH-55CQ1U, TH-50CQ1U, TH-43CQ1U

Responsible Party:

Panasonic Corporation of North America  
Two Riverfront Plaza, Newark, New Jersey  
07102-5490

Contact Source:

Panasonic System Solutions Company of North America  
1-877-655-2357

General Contact:

<http://shop.panasonic.com/support>

This device complies with Part 15 of the FCC Rules and all applicable IC RSS standards. Operation is subject to the following two conditions: (1) This device may not cause harmful interference, and (2) this device must accept any interference received, including interference that may cause undesired operation.

To maintain compliance with EMC regulations, use shielded cables to connect to the following terminals: HDMI input terminal, D-sub input terminal and RS-232C input terminal.

**CANADIAN NOTICE:**

This Class B digital apparatus complies with Canadian ICES-003.

**WARNING:**

- Not for use in a computer room as defined in the Standard for the Protection of Electronic Computer/ Data Processing Equipment, ANSI/NFPA 75.
- For permanently connected equipment, a readily accessible disconnect device shall be incorporated in the building installation wiring.
- For pluggable equipment, the socket-outlet shall be installed near the equipment and shall be easily accessible.

**Note:**

Image retention may occur. If you display a still picture for an extended period, the image might remain on the screen. However, it will disappear when a general moving picture is displayed for a while.

**Trademark Credits**

- Microsoft, Windows, Internet Explorer and Microsoft Edge are the registered trademarks or trademarks of Microsoft Corporation in the United States and/or other countries.
- Mac, macOS and Safari are the trademarks of Apple Inc. registered in the United States and other countries.
- HDMI, High-Definition Multimedia Interface and the HDMI Logo are trademarks or registered trademarks of HDMI Licensing Administrator, Inc. in the United States and other countries.
- Manufactured under license from Dolby Laboratories. Dolby, Dolby Audio and the double-D symbol are trademarks of Dolby Laboratories.

Even if no special notation has been made of company or product trademarks, these trademarks have been fully respected.

# Important Safety Notice

**WARNING**

- 1) To prevent damage which may result in fire or shock hazard, do not expose this appliance to dripping or splashing.  
Do not place containers with water (flower vase, cups, cosmetics, etc.) above the set. (including on shelves above, etc.)  
No naked flame sources, such as lighted candles, should be placed on / above the set.
- 2) To prevent electric shock, do not remove cover. No user serviceable parts inside. Refer servicing to qualified service personnel.
- 3) **86-inch model**  
Do not remove the earthing pin on the power plug. This apparatus is equipped with a three pin earthing-type power plug. This plug will only fit an earthing-type power outlet. This is a safety feature. If you are unable to insert the plug into the outlet, contact an electrician.  
Do not defeat the purpose of the earthing plug.
- 4) **86-inch model**  
To prevent electric shock, ensure the earthing pin on the AC cord power plug is securely connected.

**CAUTION**

This appliance is intended for use in environments which are relatively free of electromagnetic fields.  
Using this appliance near sources of strong electromagnetic fields or where electrical noise may overlap with the input signals could cause the picture and sound to wobble or cause interference such as noise to appear.  
To avoid the possibility of harm to this appliance, keep it away from sources of strong electromagnetic fields.

**WARNING****Stability Hazard**

A TV set may fall, causing serious personal injury or death. Many injuries, particularly to children, can be avoided by taking simple precautions such as:

- ALWAYS use cabinets or stands or mounting methods recommended by the manufacturer of the TV set.
- ALWAYS use furniture that can safely support the TV set.
- ALWAYS ensure the TV set is not overhanging the edge of the supporting furniture.
- ALWAYS educate children about the dangers of climbing on furniture to reach the TV set or its controls.
- ALWAYS route cords and cables connected to your TV so they cannot be tripped over, pulled or grabbed.
- NEVER place a TV set in an unstable location.
- NEVER place the TV set on tall furniture (for example, cupboards or bookcases) without anchoring both the furniture and the TV to a suitable support.
- NEVER place the TV set on cloth or other materials that may be located between the TV set and supporting furniture.
- NEVER place items that might tempt children to climb, such as toys and remote controls, on the top of the TV or furniture on which the TV is placed.

If the existing TV set is going to be retained and relocated, the same considerations as above should be applied.

The cable distribution system should be grounded (earthed) in accordance with ANSI/NFPA 70, the National Electrical Code (NEC), in particular Section 820.93, Grounding of Outer Conductive Shield of a Coaxial Cable.

This equipment is not suitable for use in locations where children are likely to be present.

# Safety Precautions

## WARNING

### ■ Setup

When installing the wall hanging bracket, read the operating instructions supplied with it carefully and install properly.

We are not responsible for any product damage, etc. caused by failures in the installation environment for the pedestal or wall hanging bracket even during the warranty period.

Small parts can present choking hazard if accidentally swallowed. Keep small parts away from young children. Discard unneeded small parts and other objects, including packaging materials and plastic bags/sheets to prevent them from being played with by young children, creating the potential risk of suffocation.

**Do not place the TV on sloped or unstable surfaces, and ensure that the TV does not hang over the edge of the base.**

- The TV may fall off or tip over.

**Install this unit at a location with minimal vibration and which can support the weight of the unit.**

- Dropping or falling of the unit may cause injury or malfunction.

**Caution - For use only with UL Listed Wall Mount Bracket with minimum weight/load, please refer to the Specifications. (see page 22)**

- If installed in different directions, heat is generated and it may cause fire or damage to the TV.

### Cautions for Wall or Pedestal Installation

- The installation should be performed by an installation professional. Installing the TV incorrectly may lead to an accident that results in death or serious injury.
- When installing on a wall, the specified wall hanging bracket or a wall hanging bracket that conforms to VESA standards must be used.
- Some wall hanging brackets cannot be used due to the structure of the product. Check the product drawing before using.

86-inch model : VESA 600 × 400

75-inch model : VESA 400 × 400

65-inch model : VESA 400 × 200

55-inch model : VESA 400 × 200

50-inch model : VESA 400 × 200

43-inch model : VESA 200 × 200

(see page 8)

- Before installation, be sure to check if the mounting location has enough strength to support the weight of the TV and the wall hanging bracket for anti drop.
- If you terminate the use of the product, ask a professional to remove it promptly.

- When mounting the TV on the wall, prevent the mounting screws and power cable from contacting metal objects inside the wall. An electric shock may occur if they contact metal objects inside the wall.

### ■ When using the LCD TV

**The TV is designed to operate on 110 - 127 V ~, 50/60 Hz.**

**If problems or malfunction occur, stop using immediately.**

**If problems occur, unplug the power supply plug.**

- Smoke or an abnormal odour come out from the unit.
- No picture appears or no sound is heard, occasionally.
- Liquid such as water or foreign objects got inside the unit.
- The unit has deformed or broken parts.

**If you continue to use the unit in this condition, it could result in fire or electric shock.**

- Unplug the power supply plug from the wall outlet, and then contact the dealer for repairs.
- To cut off the power supply to this TV completely, you need to unplug the power supply plug from the wall outlet.
- Repairing the unit yourself is dangerous, and shall never be done.
- To enable to unplug the power supply plug immediately, use the wall outlet which you can reach easily.

**Do not touch the unit directly by hand when it is damaged.**

- Electric shock could occur.

**Do not stick any foreign objects into the TV.**

- Do not insert any metal or flammable objects into the ventilations holes or drop them onto the TV, as doing so can cause fire or electric shock.

**Do not remove the cover (cabinet) or modify it.**

- High voltages which can cause fire or electric shocks are present inside the TV. For any inspection, adjustment and repair work, please contact your local Panasonic dealer.

**Ensure that the mains plug is easily accessible.**

86-inch model

**The mains plug shall be connected to a mains socket outlet with a protective earthing connection.**

**Do not use any power supply cord other than that provided with this unit.**

- Doing so may cause short-circuit, generates heat, etc., which could cause electric shock or fire.

**Do not use the supplied power supply cord with any other devices.**

- Doing so may cause short-circuit, generates heat, etc., which could cause electric shock or fire.

**Clean the power supply plug regularly to prevent it becoming dusty.**

- If there is a build up of dust on the plug, the resultant humidity may cause short-circuit, which could cause electric shock or fire. Unplug the power supply plug from the wall outlet and wipe it with a dry cloth.

**Do not handle the power supply plug with wet hands.**

- Doing so may cause electric shocks.

**Securely insert the power supply plug (socket outlet side) and the power supply connector (main unit side) as far as it will go.**

- If the plug is not fully inserted, heat may be generated which could cause fire. If the plug is damaged or the wall socket is loose, they shall not be used.

**Do not do anything that may damage the power supply cord or the power supply plug.**

- Do not damage the cable, make any modifications to it, place heavy objects on top of it, heat it, place it near any hot objects, twist it, bend it excessively or pull it. To do so may cause fire and electric shock. If the power cable is damaged, have it repaired at your local Panasonic dealer.

**Do not touch the power supply cord or the plug directly by hand when they are damaged.**

- Doing so may cause electric shock or fire due to short-circuit.

**Keep the supplied AAA batteries out of reach of children. If accidentally swallowed, it will be harmful to the body.**

- Please contact a doctor immediately in case you doubt that the child may have swallowed it.

**To prevent the spread of fire, keep candles or other open flames away from this product at all times.**



## CAUTION

**Do not place any objects on top of the TV.**

**Ventilation should not be impeded by covering the ventilation openings with items such as newspapers, table cloths and curtains.**

- Doing so may cause the TV to overheat, which can cause fire or damage to the TV.

For sufficient ventilation, see page 8

**Do not place the TV where it may be affected by salt or corrosive gas.**

- Doing so may cause the TV to fall due to corrosion, and it may result in injury. Also, the unit may malfunction.

**The following number of people are required to carry or unpack this unit.**

86-inch model : 4 or more

75-inch model

65-inch model

55-inch model

50-inch model 43-inch model : 2 or more

- If this is not observed, the unit may drop, resulting in injury.

**When disconnecting the power supply cord, always pull on the plug (socket outlet side) / the connector (main unit side).**

- Pulling the cord may damage the cord, and it may cause electric shock or fire due to short-circuit.

**Be sure to disconnect all cables before moving the TV.**

- If the TV is moved while some of the cables are still connected, the cables may become damaged, and fire or electric shock could result.

**Disconnect the power supply plug from the wall socket as a safety precaution before carrying out any cleaning.**

- Electric shocks can result if this is not done.

**Do not step on, or hang from the TV or the Pedestal.**

- They might tip over, or might be broken and it may result in injury. Pay special attention to the children.

**Do not reverse the polarity (+ and -) of the battery when inserting.**

- Mishandling the battery may cause its explosion or leakage, resulting in fire, injury or damage to surrounding properties.

- Insert the battery correctly as instructed.

(see page 11)

**Do not use batteries with the outer cover peeling away or removed.**

- Mishandling the batteries may cause the batteries to short circuit, resulting in fire, injury or damage to surrounding properties.

**Remove the batteries from the remote control transmitter when not using for a long period of time.**

- The battery may leak, heat, ignite or burst, resulting in fire or damage to surrounding properties.

**Remove exhausted batteries from the remote control immediately.**

- Leaving the batteries unattended in it may cause battery leakage, heat or burst.

**Do not burn or breakup batteries.**

- Batteries must not be exposed to excessive heat such as sunshine, fire or the like.

**Do not turn the TV upside down.**

**Do not position the unit with its liquid crystal panel facing upright.**

# Precautions for use

## Cautions when installing

### Do not set up the TV outdoors.

- The TV is designed for indoor use.

### Install this unit at a location which can support the weight of the unit.

- Dropping or falling of the unit may cause injury.

### Environmental temperature to use this unit

- When using the unit where it is below 1 400 m (4 593 ft) above sea level: 0 °C to 40 °C (32 °F to 104 °F)
- When using the unit at high altitudes (1 400 m (4 593 ft) and higher and below 2 800 m (9 186 ft) above sea level): 0 °C to 35 °C (32 °F to 95 °F)

### Do not install the unit where it is 2 800 m (9 186 ft) and higher above sea level.

- Failure to do so may shorten the life of the internal parts and result in malfunctions.

### We are not responsible for any product damage, etc. caused by failures in the installation environment even during the warranty period.

### Transport only in upright position!

- Transporting the unit with its liquid crystal panel facing upright or downward may cause damage to the internal circuitry.

### Do not grab the liquid crystal panel.

- Do not forcibly press the liquid crystal panel, or push it with a pointed object. Applying a strong force to the liquid crystal panel will cause unevenness of the screen display, resulting in malfunction.

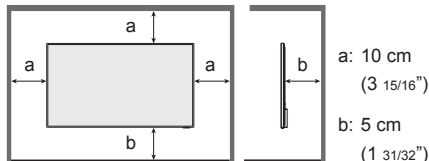
### Do not install the product to a place where the product is exposed to direct sunlight.

- If the unit is exposed to direct sunlight even indoors, the temperature rise of the liquid crystal panel may cause malfunction.

### Required space for ventilation

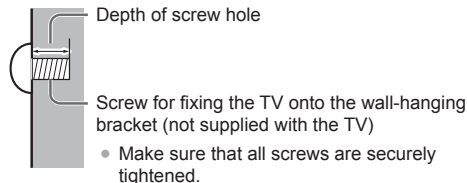
- When using the pedestal, leave a space of 10 cm (3 15/16") or more at the top, left and right, and 5 cm (1 31/32") or more at the rear, and also keep the space between the bottom of the TV and the table surface.
- If using some other setting-up method (wall-hanging, etc.), follow the manual of it. (If there is no specific indication of installation dimension in the installation manual, leave a space of 10 cm (3 15/16") or more at the top, bottom, left and right, and 5 cm (1 31/32") or more at the rear.)

Minimum distance:



- Operation of this unit is guaranteed up to an ambient temperature of 40 °C (104 °F). When installing the unit in a case or chassis, be sure to provide adequate ventilation with a cooling fan or ventilation hole so that the surrounding temperature (inside the case or chassis) including the temperature of the front surface of the liquid crystal panel can be kept at 40 °C (104 °F) or less.

### About the screws used when using a wall hanging bracket that conforms to VESA standards



(View from the side)

Inch model	Screw pitch for installation	Depth of screw hole	Screw (quantity)
86	600 mm × 400 mm	18 mm	M8 (4)
75	400 mm × 400 mm	18 mm	M8 (4)
65	400 mm × 200 mm	17 mm	M6 (4)
55	400 mm × 200 mm	17 mm	M6 (4)
50	400 mm × 200 mm	17 mm	M6 (4)
43	200 mm × 200 mm	14 mm	M6 (4)

## Note for connection

### Removing and inserting the power cord and connection cables

- When the unit has been installed on the wall, if the power cord and connection cables are difficult to remove and insert, make connections first before installation. Be careful not to allow the cables to be entangled. After installation is completed, insert the power plug to the outlet.



## When using

Depending on the temperature or humidity conditions, uneven brightness may be observed. This is not a malfunction.

- This unevenness will disappear while applying current continuously. If not, consult the distributor.

If the TV is not going to be used for any prolonged length of time, unplug the power supply plug from the wall outlet.

Picture noise may occur if you connect / disconnect the cables connected to the input terminals you are currently not watching, or if you turn the power of the video equipment on / off, but it is not a malfunction.

## Notes on Using Wired LAN

When setting up the TV at a place, where electric statistic occurs often, take a sufficient antistatic measure before start using.

- When the TV is used at a location, where static electricity occurs often, such as on a carpet, a wired LAN communication is disconnected more often. In that case, remove static electricity and the noise source that may cause problems with an antistatic mat, and re-connect the wired LAN.
- In rare cases, the LAN connection is disabled due to static electricity or noise. In that case, turn off the power of the TV and the connected devices once and then re-turn on the power.

The TV may not work properly due to strong radio wave from the broadcast station or the radio.

- If there is any facility or equipment, which outputs strong radio wave, near the installation location, set up the TV at a location sufficiently far from the source of the radio wave. Or, wrap the LAN cable connected to the LAN terminal by using a piece of metal foil or a metal pipe, of which is grounded at both ends.

## Request Regarding Security

When using this unit, take safety measures against the following incidents.

- Personal information being leaked via this unit
- Unauthorized operation of this unit by a malicious third party
- Interfering or stopping of this unit by a malicious third party

Take sufficient security measures.

- Set a password for the LAN control and restrict the users who can log in.
- Make your password difficult to guess as much as possible.
- Change your password periodically.
- Panasonic Corporation or its affiliate companies will never ask for your password directly. Do not divulge your password in case you receive such inquiries.
- The connecting network must be secured by a firewall, etc.
- When disposing the product, initialize the data before disposing.

## Cleaning and maintenance

**First, remove the mains plug from the mains socket.**

**Gently wipe the surface of the liquid crystal panel or cabinet by using a soft cloth to remove dirt.**

- To remove stubborn dirt or fingerprints on the surface of the liquid crystal panel, dampen a cloth with diluted neutral detergent (1 part detergent to 100 parts water), wring out the cloth firmly, and then wipe away the dirt. Finally, wipe away all the moisture with a dry cloth.
- If water droplets get inside the unit, operating problems may result.

### Note

- The surface of the liquid crystal panel is specially treated. Do not use a hard cloth or rub the surface too hard, otherwise this may cause scratches on the surface.

**Usage of a chemical cloth**

- Do not use a chemical cloth for the liquid crystal panel surface.
- Follow the instructions for the chemical cloth to use it for the cabinet.

**Avoid contact with volatile substances such as insect sprays, solvents and thinner.**

- This may cause damage to the cabinet or cause peeling of the paint. Furthermore, do not leave it in contact with a rubber or PVC substance for a long time.

## Disposal

When disposing the product, ask your local authority or dealer about the correct methods of disposal.

# Accessories

## Accessories Supply

Check that you have the accessories and items shown.

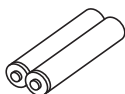
### Remote Control Transmitter × 1

- DPVF2598ZA/X1



### Batteries for the Remote Control Transmitter × 2

(AAA type)

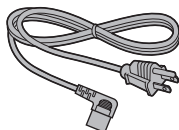


### Power supply cord

TH-86CQ1U

(Approx. 3 m)

- DPVF2714ZA/X1



TH-75CQ1U

TH-65CQ1U

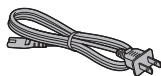
TH-55CQ1U

TH-50CQ1U

TH-43CQ1U

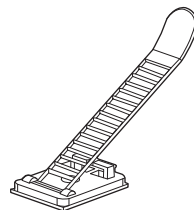
(Approx. 1.8 m)

- TZSH3042



### Clamper (large) × 2

- DPVF1654ZA



### Clamper (small) × 1

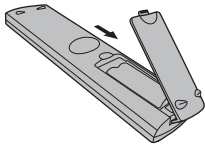
- DPVF1653ZA



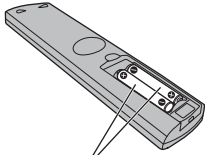
### Attention

- Store small parts in an appropriate manner, and keep them away from young children.
- The part numbers of accessories are subject to change without notice. (The actual part number may differ from the ones shown above.)
- In case you lost accessories, please purchase them from your dealer. (Available from the customer service)
- Dispose the packaging materials appropriately after taking out the items.

## Remote Control Batteries



Open the battery cover.



Insert batteries and close the battery cover.

(Insert starting from the ⊖ side.)

AAA type

### Note

- Incorrect installation of the batteries can cause battery leakage and corrosion that will damage the remote control.
- Disposal of batteries should be done in an environment-friendly manner.

### Take the following precautions.

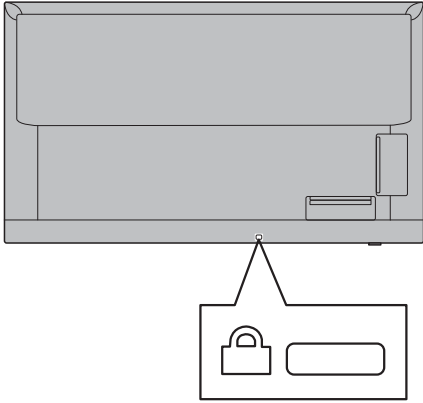
1. Batteries shall always be replaced as a pair.
2. Do not combine a used battery with a new one.
3. Do not mix battery types (example; manganese dioxide battery and alkaline battery etc.).
4. Do not attempt to charge, disassemble or burn used batteries.
5. Do not burn or breakup batteries.

Moreover, batteries must not be exposed to excessive heat such as sunshine, fire or the like.

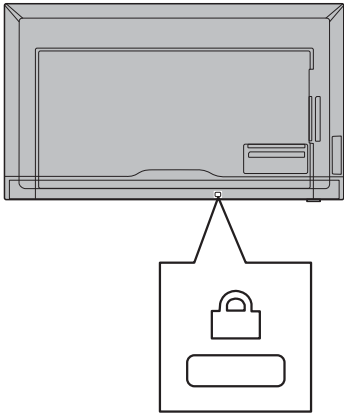
# Kensington security

The security slot of this unit is compatible with the Kensington security slot.

65-inch model



55-inch model    50-inch model    43-inch model

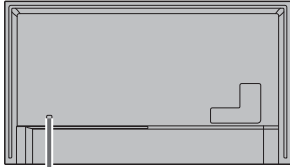


# Connections

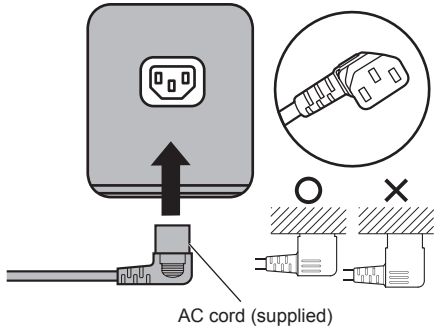
## AC cord connection and fixing / Cable fixing

86-inch model

Back of the unit



### AC cord fixing



Plug the connector into the TV unit.

#### Note

- When disconnecting the AC cord, be absolutely sure to disconnect the AC cord plug at the socket outlet first.
- The supplied AC cord is for this unit exclusive use. Do not use this for other purposes.

75-inch model

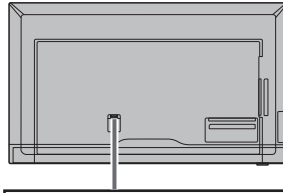
65-inch model

55-inch model

50-inch model

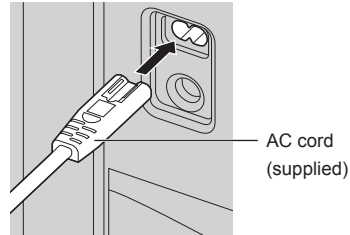
43-inch model

Back of the unit



Insert the AC cord securely all the way seated on the back side of the unit.

75-inch model

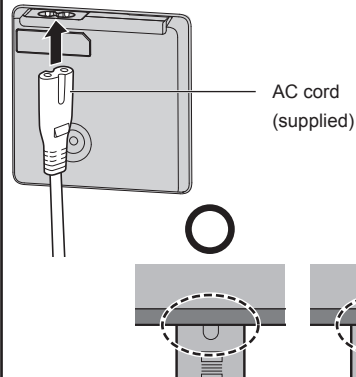


65-inch model

55-inch model

50-inch model

43-inch model



Insert the plug until the line is hidden.

Class II equipment

#### Note

- When disconnecting the AC cord, be absolutely sure to disconnect the AC cord plug at the socket outlet first.
- The supplied AC cord is for this unit exclusive use. Do not use this for other purposes.

## Cable fixing

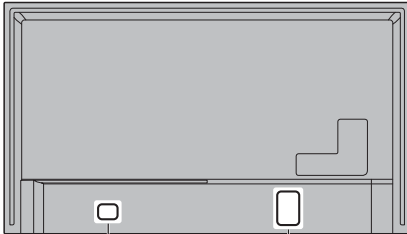
### Note

- 3 clampers are supplied with this unit. Fix the cables at 3 locations using the holes for clampers as shown below.

If you need more clampers, purchase them from your dealer. (Available from the customer service)

86-inch model

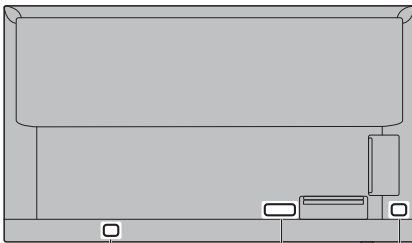
75-inch model



1

2

65-inch model



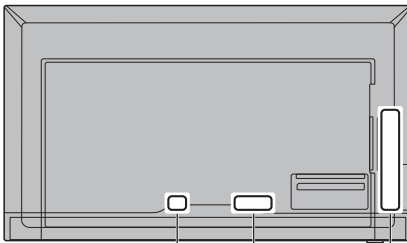
1

2

55-inch model

50-inch model

43-inch model



1

2

1 For AC cord: clamber (small)

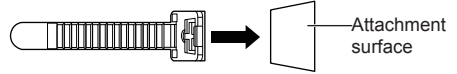
2 For signal cable: clamber (large) x 2

## 1. Attach the clamber

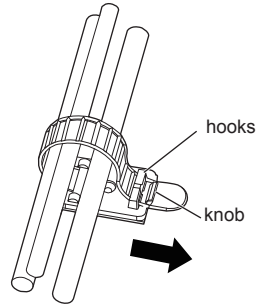
### Note

- Wipe off dirt, such as dust, water and oil on the attachment surface, and affix the clamber on the attachment surface by pushing it firmly.
- Once the clamber is affixed, it cannot be reused. Be sure to confirm the attaching position before affixing it.

Remove the tape at the back, and affix the clamber on the flat surface.



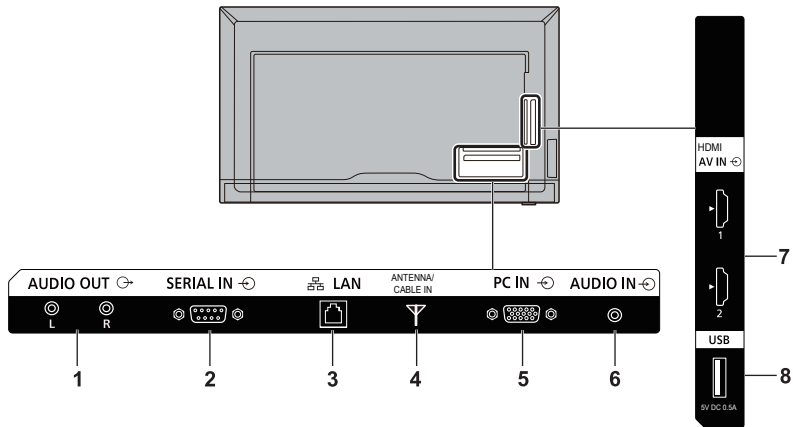
## 2. Bundle the cables



### To loosen:

Remove the band from the knob, and pull out the band tip.

## Video equipment connection



**1 AUDIO OUT:** **Analogue Audio Output Terminal**  
Connect to audio equipment with analogue audio input terminal.

**2 SERIAL IN:** **SERIAL Input Terminal**  
Control the TV by connecting to PC.

**3 LAN:** **LAN Terminal**  
Control the TV by connecting to Network.

**4 ANTENNA/  
CABLE IN:** **Antenna Terminal**  
Connect to antenna cable

**5 PC IN:** **PC Input Terminal**  
Connect to video terminal of PC.

**6 AUDIO IN:** **Audio Input Terminal**

**7 HDMI 1, HDMI 2:** **HDMI Input Terminal**  
Connect to video equipment such as VCR or DVD player, etc.  

- Use a commercially available HDMI cable (conforming to the HDMI standard) that supports 4K

**8 USB:** **USB Terminal**  
Connect the USB memory device to the USB port.

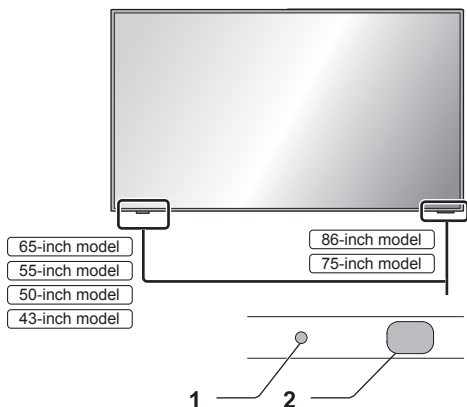
## Before connecting

- Before connecting cables, carefully read the operating instructions for the external device to be connected.
- Turn off the power of all devices before connecting cables.
- Take note of the following points before connecting the cables. Failure to do so may result in malfunctions.
  - When connecting a cable to the unit or a device connected to the unit itself, touch any nearby metallic objects to eliminate static electricity from your body before performing work.
  - Do not use unnecessarily long cables to connect a device to the unit or to the unit body. The longer the cable, the more susceptible to noise it becomes. Since using a cable while it is wound makes it act like an antenna, it is more susceptible to noise.
  - When connecting cables, insert them straight into the connecting terminal of the connecting device so that the ground is connected first.
- Acquire any cable necessary to connect the external device to the system that is neither supplied with the device nor available as an option.
- If the outer shape of the plug of a connection cable is large, it may come in contact with the periphery such as a back cover or the plug of an adjacent connection cable. Use a connection cable with the suitable plug size for the terminal alignment.
- When connecting the LAN cable with plug cover, be aware that the cover may come in contact with the back cover and it may be difficult to disconnect.
- Some PC models are not compatible with the unit.
- Use cable compensator when you connect devices to the unit using long cables. Otherwise the image may not be displayed properly.



# Identifying Controls

## Display



### 1 Power LED

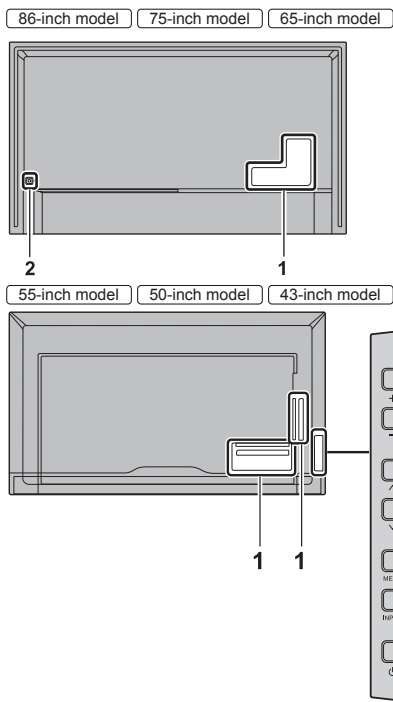
The Power Indicator will light.

**When the power of the unit is ON**

**(Power button (⏻) (Unit): ON)**

- Picture is displayed: Green
- When the unit enters the standby mode: Red

### 2 Remote control sensor



### 1 External input / output terminal

Connects to video equipment, PC, etc. (see page 15)

### 2 Power button (⏻) (Unit)

Turns the power On / Off.

### 3 INPUT (Unit)

Selects the connected device.

### 4 MENU (Unit)

Displays the menu screen.

### 5 ^ (Unit) / v (Unit)

When TV input, changes the channel.

Selects the setting item on menu screen.

### 6 + (Unit) / - (Unit)

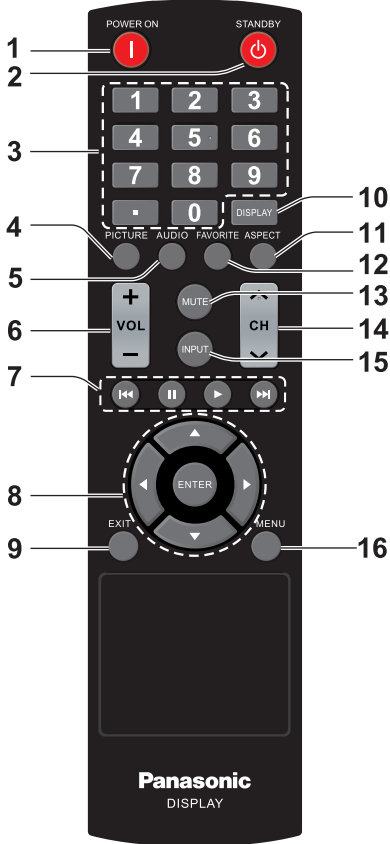
Adjusts the volume.

On the main screen, switches settings or adjusts settings level.

### Note

- To output sound from the built-in speakers of the unit, be sure to set [Speaker] in the [Audio] menu.

## Remote Control Transmitter



### 1 POWER ON button (|)

- Turns the power on (Picture is displayed) when the TV is turned off (Standby condition).

### 2 STANDBY button (⏻)

- Turns the power off (Standby condition) when the TV is turned on.

### 3 Numeric buttons (0 - 9) / .

- Changes channel. You can also use the button when you enter numeric or dot.
- Input numbers in LAN settings.

### 4 PICTURE

- Adjust Picture mode.

### 5 AUDIO

- Changed MTS or audio language.

### 6 VOL + / VOL -

- Adjusts sound volume level.

### 7 Navigation keys (◀, ▶, ▲, ▼)

- Used in the USB menu and HDMI CEC function.

### 8 ENTER / Cursor buttons (▲▼◀▶)

- Used to operate the menu screens.

### 9 EXIT

- Turns off the menu screens.

### 10 DISPLAY

- Displays information of displayed channel or signal.

### 11 ASPECT

- Change aspect ratio.

### 12 FAVORITE

- Displays registered favorite channel list.

### 13 MUTE

- Sound mute on / off.

### 14 CH ^ / v

- Changes channel.

### 15 INPUT

- Switches input to display on the screen.

### 16 MENU

- Press to open the OSD menu.

#### Note

- In this manual, buttons of the remote control and the unit are indicated as < >.

(Example: <INPUT>.)

The operation is mainly explained indicating the remote control buttons but you can also operate with the buttons on the unit when there are the same buttons.

# Basic Controls

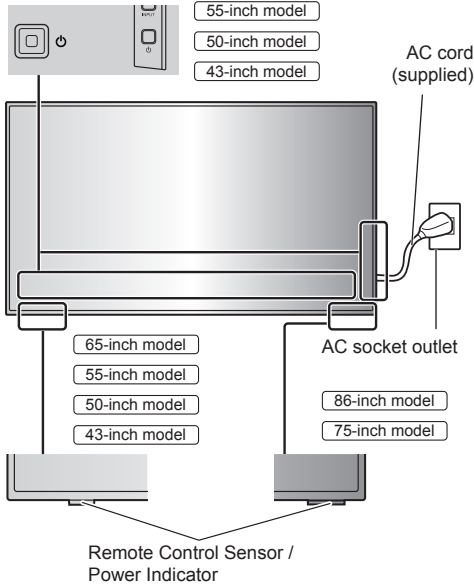
<Power button (⏻) (Unit)>

(Back of the unit)

86-inch model

75-inch model

65-inch model



Operate pointing the remote control directly at the unit's Remote Control Sensor.



## Note

- Do not put an obstacle between the remote control sensor of the main unit and the remote control.
- Operate the remote control in front of the remote control sensor or from the area where the sensor can be seen.
- When directly aiming the remote control at the remote control sensor of the main unit, the distance from the front of remote control sensor should be approx. 7 m or less. Depending on the angle, the operation distance may be shorter.
- Do not subject the remote control sensor of the main unit to the direct sunlight or strong fluorescent light.

## 1 Connect the AC cord plug to the TV.

(see page 13)

## 2 Connect the plug to the socket outlet.

### Note

- When disconnecting the AC cord, be absolutely sure to disconnect the AC cord plug at the socket outlet first.
- The settings may not be saved if the power plug is disconnected immediately after changing settings with on-screen menu. Disconnect the power plug after a enough period of time. Or, disconnect the power plug after turning the power off with the remote control, RS-232C control or LAN control.

## 3 Press the <Power button (⏻)> on the unit to turn the power of the unit on.

- Power Indicator: Green (Picture is displayed.)
- When the power of the unit is on, the power indicator lights up and remote control operation is possible.
- When the power indicator is lit, it is not necessary to press the <Power button (⏻)> on the unit. Operate the remote control so that the power indicator turns green (picture is displayed).

## ■ To turn the power ON/OFF with the remote control

### To turn the power on

- When the power of the unit is on (Power Indicator - red), press <POWER ON button (I)> then the picture will be displayed.
- Power Indicator: Green (Picture is displayed.)

### To turn the power off (Standby condition)

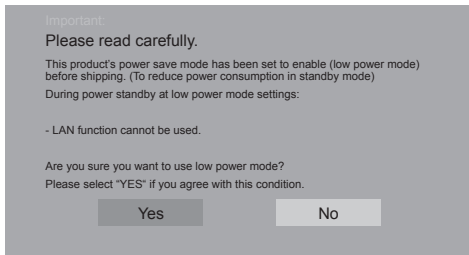
- When the power of the unit is on (Power Indicator - green), press <STANDBY button (⏻)>, then the power will be turned off.
- Power Indicator: Red (standby)

#### Note

- After the power plug is disconnected, the power indicator may remain lit for a while. This is not a malfunction.
- Press the <Power button (⏻) (Unit)> on the unit to turn the unit off, when the power of the unit is turned on or in standby mode.

## ■ When the Unit is turned on for the first time

Following screen will be displayed.



## ■ Power save mode

When this TV is turned on for the first time after being shipped from the factory, the power save mode setting screen will be displayed.

[Yes]: The TV's consumption in standby mode is reduced. However, the startup time from standby mode becomes longer.

[No]: It is reduced that startup time from standby mode. However, more power will be consumed in standby mode.

Even after being set, you can change the "Power save mode".

# Specifications

## Model No.

86-inch model	: TH-86CQ1U
75-inch model	: TH-75CQ1U
65-inch model	: TH-65CQ1U
55-inch model	: TH-55CQ1U
50-inch model	: TH-50CQ1U
43-inch model	: TH-43CQ1U

## Power Consumption

86-inch model	340 W
75-inch model	274 W
65-inch model	136 W
55-inch model	128 W
50-inch model	120 W
43-inch model	106 W

### Stand-by condition

0.5 W

## LCD TV panel

86-inch model	86-inch IPS panel (Edge LED backlight), 16:9 aspect ratio
75-inch model	75-inch IPS panel (Direct LED backlight), 16:9 aspect ratio
65-inch model	65-inch VA panel (Direct LED backlight), 16:9 aspect ratio
55-inch model	55-inch VA panel (Direct LED backlight), 16:9 aspect ratio
50-inch model	50-inch VA panel (Direct LED backlight), 16:9 aspect ratio
43-inch model	43-inch VA panel (Direct LED backlight), 16:9 aspect ratio

## Screen size

86-inch model	1 895.0 mm (W) × 1 065.9 mm (H) × 2 174.2 mm (diagonal) / 74.60" (W) × 41.96" (H) × 85.60" (diagonal)
75-inch model	1 649.6 mm (W) × 927.9 mm (H) × 1 892.7 mm (diagonal) / 64.94" (W) × 36.53" (H) × 74.51" (diagonal)
65-inch model	1 428.4 mm (W) × 803.5 mm (H) × 1 638.9 mm (diagonal) / 56.23" (W) × 31.63" (H) × 64.52" (diagonal)
55-inch model	1 209.6 mm (W) × 680.4 mm (H) × 1 387.8 mm (diagonal) / 47.62" (W) × 26.78" (H) × 54.63" (diagonal)
50-inch model	1 095.8 mm (W) × 616.4 mm (H) × 1 257.3 mm (diagonal) / 43.14" (W) × 24.26" (H) × 49.50" (diagonal)
43-inch model	941.1 mm (W) × 529.4 mm (H) × 1 079.8 mm (diagonal) / 37.05" (W) × 20.84" (H) × 42.51" (diagonal)

## No. of pixels

8 294 400  
(3 840 (Horizontal) × 2 160 (Vertical))

## Dimensions (W × H × D)

86-inch model	1 929 mm × 1 103 mm (excluding Remote Control Sensor: 1 100 mm) × 80 mm / 75.92" × 43.41" (excluding Remote Control Sensor: 43.28") × 3.13"
75-inch model	1 684 mm × 969 mm (excluding Remote Control Sensor: 966 mm) × 94 mm / 66.30" × 38.14" (excluding Remote Control Sensor: 38.01") × 3.70"
65-inch model	1 463 mm × 847 mm (excluding Remote Control Sensor: 843 mm) × 97 mm / 57.57" × 33.32" (excluding Remote Control Sensor: 33.17") × 3.81"
55-inch model	1 240 mm × 718 mm (excluding Remote Control Sensor: 713 mm) × 80 mm / 48.79" × 28.25" (excluding Remote Control Sensor: 28.05") × 3.12"
50-inch model	1 124 mm × 653 mm (excluding Remote Control Sensor: 647 mm) × 77 mm / 44.24" × 25.70" (excluding Remote Control Sensor: 25.47") × 3.04"
43-inch model	969 mm × 566 mm (excluding Remote Control Sensor: 560 mm) × 77 mm / 38.12" × 22.26" (excluding Remote Control Sensor: 22.03") × 3.03"

## Mass

---

### 86-inch model

Approx. 50.0 kg / 111 lbs net

### 75-inch model

Approx. 34.0 kg / 75 lbs net

### 65-inch model

Approx. 24.0 kg / 53 lbs net

### 55-inch model

Approx. 15.0 kg / 34 lbs net

### 50-inch model

Approx. 13.0 kg / 29 lbs net

### 43-inch model

Approx. 9.0 kg / 20 lbs net

## Power source

---

110 - 127 V ~, 50/60 Hz

## Operating condition

---

### Temperature

0 °C – 40 °C (32 °F – 104 °F)\*1

### Humidity

20 % – 80 % (no condensation)

## Storing condition

---

### Temperature

-20 °C – 60 °C (-4 °F – 140 °F)

### Humidity

20 % – 80 % (no condensation)

## Connection terminals

---

### HDMI 1

### HDMI 2

TYPE A Connector\*2 × 2

Audio signal:

Linear PCM (sampling frequencies: 48 kHz,  
44.1 kHz, 32 kHz)

---

### AUDIO IN

Stereo mini jack (M3) × 1, 0.5 Vrms

---

### PC IN

Mini D-sub 15 Pin (Compatible with DDC2B) × 1

---

### AUDIO OUT

RCA jack, 0.5 Vrms

Output: Variable (-∞ – 0 dB)

(1 kHz 0 dB input, 10 kΩ load)

---

### SERIAL IN

External Control Terminal

D-sub 9 Pin × 1:

RS-232C compatible

---

## LAN

Communication method:

RJ45, 10BASE-T / 100BASE-TX / 1000BASE-T

---

## USB

USB connector × 1, TYPE A

DC 5V / 0.5 A

## Sound

---

### Speakers

132 mm × 25 mm × 1 / φ 70 mm × 1 × 2 pieces

### Audio Output

20 W [10 W + 10 W] (10 % THD)

## Remote Control Transmitter

---

### Power source

DC 3 V (battery (AAA type) × 2)

### Operating range

Approx. 7 m (22.9 ft)

(when operated directly in front of remote control sensor)

### Mass

Approx. 91 g / 3.21 oz (including batteries)

### Dimensions (W × H × D)

48 mm × 190 mm × 27 mm / 1.89" × 7.48" × 1.06"

---

\*1: Environmental temperature to use this unit at high altitudes (1 400 m (4 593 ft) and higher and below 2 800 m (9 186 ft) above sea level): 0 °C to 35 °C (32 °F to 95 °F)

\*2: VIERA LINK is not supported.

### Note

- Design and specifications are subject to change without notice. Mass and dimensions shown are approximate.

**PANASONIC PROFESSIONAL DISPLAY  
 Limited Warranty**

Models or Parts	Part Warranty	Labor Warranty
All Professional Display Model	3 Years	3 Years
<b>Exceptions</b>		
All Panasonic accessories: e.g. mounting kit, input signal module, cables, remote control, filter, batteries.	1 Year	1 Year

Panasonic System Solutions Company of North America (referred to as “the Panasonic”) will repair the Professional Video product (the “Product”) and its accessories as defined in the attached table, with new or refurbished parts, free of charge in the continental USA, during the applicable warranty coverage period from the original date of purchase in the event of a defect in materials or workmanship as follows: On-Site, carry-in, or mail-in service within the **continental USA** may be obtained during the warranty period by contacting Panasonic’s Technical Support Center at the following toll free number **855-772-8324** or via

e-mail: [ProDisplaySupport@us.panasonic.com](mailto:ProDisplaySupport@us.panasonic.com). In case of mail-in service the customer is responsible for the cost of delivering of the Product to Panasonic’s facility, while Panasonic will pay for the return transportation of the repaired Product to the customer. For out of warranty Product units submitted for repairs or for in warranty units submitted by customers outside of the continental USA, shipping arrangements and cost (both ways) are the customer’s responsibility. Panasonic will also not be responsible for any costs associated with determining the source of system problems or for removing and installing the faulty Product.

This warranty is extended only to the original purchaser and is nontransferable. A purchase receipt or other proof of date of original purchase will be required before warranty service is rendered. Whenever the date of original purchase cannot be satisfactorily determined, the date of manufacture of the unit will be deemed to be the effective date of the warranty. Panasonic reserves the right to audit and reject any warranty claim that cannot be substantiated. This warranty only covers failures due to defects in materials or workmanship which occur during normal use of the Product.

The warranty **DOES NOT** cover damage to the display and its components which occur in shipping; failures which are caused by products not supplied by Panasonic; failures which result from accident, misuse, abuse, neglect, mishandling, misapplication, alteration, modification, faulty installation, setup adjustments, improper antenna, inadequate signal pickup, maladjustment of user controls, improper operation, power line surge, improper voltage supply, lightning damage, smoke or chemical vapors contamination, air conditioning, humidity control or other environmental conditions; failure to maintain the product in accordance with the applicable Operating Instructions; service by anyone other than an authorized repair facility; damage that is attributable to acts of violence, war, acts of God or force majeure.

The warranty does not cover damage which occurs to the display or its components caused by excessive continual usage which goes beyond the operational time described in the Operating Instructions. The warranty does not cover units of which the model and serial number label has been defaced, modified, tampered with or removed. The warranty does not cover consumable parts.

**LIMITS AND EXCLUSIONS**

PANASONIC SHALL NOT BE LIABLE FOR ANY INDIRECT, INCIDENTAL, CONSEQUENTIAL, PUNITIVE OR SPECIAL DAMAGES, INCLUDING, BUT NOT LIMITED TO, LOSS OF DATA, LOSS OF PROFIT, LOSS OF REVENUE, OR LOSS OF BUSINESS OR GOODWILL, SUFFERED BY ANY PERSON, AND RESULTING FROM THE USE OF THIS PANASONIC PROFESSIONAL DISPLAY PRODUCT, OR ARISING OUT OF ANY BREACH OF THIS WARRANTY. ALL EXPRESS WARRANTIES SPECIFIED ABOVE ARE IN LIEU OF ALL OTHER WARRANTIES, EXPRESS, IMPLIED OR STATUTORY, INCLUDING BUT NOT LIMITED TO, THE IMPLIED WARRANTIES OF MERCHANTABILITY AND FITNESS FOR A PARTICULAR PURPOSE. Some states do not allow the exclusion or limitation of incidental or consequential damages, or limitations on how long an implied warranty lasts, so the above limitations or exclusions may not apply to you.

If you have a problem with this product that is not handled to your satisfaction, then write the Consumer Affairs Department at the Panasonic’s address indicated above.

**Panasonic Canada Inc.**  
5770 Ambler Drive, Mississauga, Ontario L4W 2T3  
**LIMITED WARRANTY STATEMENT**

Panasonic Canada Inc. (also known as PCI) warrants this product to be free of defects in material and workmanship under normal use during the applicable warranty coverage period described below. PCI agrees to repair, or at its option, exchange any part that becomes defective. However, the product must be purchased and serviced in Canada. The product or part that shows evidence of defect must be delivered prepaid or carried in to an authorized Panasonic Broadcast Service Center. This warranty does not cover shipping costs.

The warranty coverage period is one year for both parts and labour beginning with the date of original end user purchase, subject to the exceptions as stated below. Repaired or replacement parts supplied during the warranty coverage period carry the unexpired portion of the original warranty coverage period. Proof of product purchase is a condition of warranty service. The owner must produce the product purchase receipt or other satisfactory evidence of date of original purchase.

This warranty does not apply to external appearance items, such as handles, knobs, switches, buttons, etc. It also does not apply to accessories of the product. The product, installed, repaired or replaced in any way that in the opinion of PCI, affects the reliability of or detracts from the performance of the product.

For products requiring routine preventive maintenance, that maintenance must be performed in order to maintain warranty coverage.

Serial numbers that have been altered, defaced or removed void this warranty. This warranty does not cover replacements or repairs necessitated by loss or damage resulting from any cause beyond the control of PCI.

Marking or related images (sometimes called "burn-in") resulting from the display of fixed images on video display products are not defects and are not covered under this warranty.

**THIS EXPRESS, LIMITED WARRANTY IS IN LIEU OF ALL OTHER WARRANTIES, EXPRESS OR IMPLIED, INCLUDING ANY IMPLIED WARRANTIES OF MERCHANTABILITY AND FITNESS FOR A PARTICULAR PURPOSE. IN NO EVENT WILL PANASONIC CANADA INC. BE LIABLE FOR ANY SPECIAL, INDIRECT OR CONSEQUENTIAL DAMAGES.**

In certain instances, some jurisdictions do not allow the exclusion or limitation of incidental or consequential damages, or the exclusion of implied warranties, so the above limitations and exclusions may not be applicable.

**WARRANTY COVERAGE PERIOD EXCEPTIONS**

Item	Parts	Labour
Video Tape	30 days—Replacement only (Content not covered)	N/A
P2/SD Cards	(Content not covered)	N/A
Video Heads	1 year or 2,000 hrs. (priorated) whichever comes first	1 year or 2,000 hrs. whichever comes first
D5 Video heads	1 year or 1,000 hrs. whichever comes first	1 year or 1,000 hrs. whichever comes first
Maintenance Items	2 years	2 years
Colour Camera CCD Imaging Block	2 years	2 years
All LCD Monitors	2 years (burn-in not covered)	2 years
*DLP™ Projectors	3 years or 17,000 hrs. whichever comes first	3 years or 17,000 hrs. whichever comes first
1 LCD Projectors above 2,500 ANSI Lumens	3 years or 2,500 hrs. whichever comes first	3 years or 2,500 hrs. whichever comes first
*LCD Projectors below 2,500 ANSI Lumens	3 years or 1,500 hrs. whichever comes first	3 years or 1,500 hrs. whichever comes first
Projector Lamps	50% of the rated lamp life or 1 year whichever comes first	50% of the rated lamp life or 1 year whichever comes first
All Plasma displays	2 years (burn-in not covered)	2 years
103 inch Plasma displays	3 years (burn-in not covered)	3 years
Hard Drive Disk Unit	1 year plus balance (if any) of the original Manufacturer's Limited Warranty. (Content not covered)	1 year

\* Dust, smoke, rental/staging environment and twenty-four/seven operation, dramatically decreases the interval between performances of routine preventive maintenance required to maintain this warranty coverage.

**Warranty Service**

If the product needs to be shipped for service, carefully pack (preferably in the original carton) and enclose a letter, detailing the complaint. Send prepaid and adequately insured to the local authorized Panasonic Service Centre in your area or to Panasonic Technical Support and Product Services Department, 5770 Ambler Drive, Mississauga, Ontario, L4W 2T3. Shipping to the latter location requires a return authorization before shipment. NO liability is assumed for loss or damage to the product while in transit.



Notice (U.S.A. only)

Disposal may be regulated in your community due to environmental considerations. For disposal or recycling information, please visit Panasonic website:

<http://www.panasonic.com/environmental>

or call 1-888-769-0149.

**Customer's Record**

The model number and serial number of this product may be found on its rear panel. You should note this serial number in the space provided below and retain this book, plus your purchase receipt, as a permanent record of your purchase to aid in identification in the event of theft or loss, and for Warranty Service purposes.

**Model Number**

**Serial Number**

---

**For TH-86CQ1U, TH-75CQ1U, TH-65CQ1U, TH-55CQ1U, TH-50CQ1U, TH-43CQ1U**

**Panasonic System Solutions Company of North America**

Unit of Panasonic Corporation of North America

**Executive Office :**

Two Riverfront Plaza, Newark, New Jersey 07102

**Panasonic Canada Inc.**

5770 Ambler Drive

Mississauga, Ontario

L4W 2T3

---

**Panasonic Corporation**

Web Site: <https://panasonic.net/cns/prodisplays/>

English