

## iA (intelligent Auto) H.265 Network Camera

Panasonic WV-S1131 captures the highest quality images automatically even in very challenging and fast-changing surveillance environments. Intelligent Auto (iA) allows the camera to automatically adjust the key settings in real-time depending on the scenery and movement, reducing distortion such as motion blur and moving objects. New industry-leading 144dB dynamic range delivers balanced scene exposure in dynamic and extreme-backlit lighting environments. In addition, color night vision provides outstanding low-light performance with accurate color rendition and saturation from i-Pro's 1/3" sensor, rivaling the performance of costlier 1/2" sensor cameras in the market. The adopted H.265 Smart Coding technology, intelligently reduces bandwidth efficiency of up to 95%\* more than H.264 for longer recording and less storage. Cameras out-of-the-box, use an encryption module standardized by FIPS Publication 140-2 for secure video streaming.

\*Value in Advanced mode with Smart Facial Coding. It depends on the scene.

### Extreme image quality allows evidence to be captured even under challenging conditions

- Auto Shutter speed control for fast moving vehicles
- Sharp and clear images of a walking person day & night
- Outstanding low light performance in true color with low noise for night time applications
- Super Dynamic 144dB for backlit situations involving headlights and shadows on night streets

### Extreme bandwidth compression with new Panasonic H.265 Smart Coding

- Longer recording and less storage compared to any H.264 based compression techniques
- New self-learning ROI\* encoding (Auto VIQS) detects movement within the image and compresses the areas with little motion in order to reduce transmitted data while maintaining the quality of the image.
- New "Smart Facial Coding" adds more bandwidth reduction for ID camera applications mainly capturing faces

\*Region of Interest

### Extreme Data Security

- Full encryption SD card edge recording to keep your data safe
- FIPS140-2 CAVP compliant \*Using encryption module standardized by FIPS publication 140-2
- Full end-to-end system encryption with supported VMS and devices to protect from IP snooping/spoofing and detect data alteration

### Key Features

- Full HD 1080p 60fps
- iA (intelligent Auto)
- Extreme Super Dynamic 144dB
- Color night vision (0.0007 to 0.01 lx)
- H.265 Smart Coding
- i-VMD License Bundled

### Industry examples

- Public safety (City / Road / Highway / Port)
- Transportation (Airport / Train / Subway)
- Retail / Bank / Education / Hospital / Building



Lens not included

## Specifications

<b>Camera</b>	Image Sensor	Approx. 1/2.8 type MOS image sensor		
	Minimum Illumination	Color : 0.01 lx, BW : 0.004 lx (F1.4, Maximum shutter : Off (1/30s), AGC : 11) Color : 0.0007 lx, BW : 0.0003 lx (F1.4, Maximum shutter : max. 16/30s, AGC : 11) <sup>*1</sup>		
	White Balance	AWC (2,000 - 10,000 K), ATW1 (2,700 - 6,000 K), ATW2 (2,000 - 6,000 K)		
	Shutter Speed	1/30 Fix to 1/10000 Fix <sup>*1</sup> 1/30 Fix to 2/120 Fix is available during 30 fps mode only. <sup>*1</sup> 1/60 Fix is available during 60 fps mode only.		
	Intelligent Auto	On / Off		
	Super Dynamic <sup>*2</sup>	On / Off, the level can be set in the range of 0 to 31.		
	Dynamic Range	144 dB (Super Dynamic : On)		
	Adaptive Black Stretch	The level can be set in the range of 0 to 255.		
	Back light compensation / High light compensation	BLC (Back light compensation) / HLC (High light compensation) / Off (only when Super dynamic / Intelligent Auto : Off)		
	Fog compensation	On / Off (only when Intelligent auto / auto contrast adjust : Off)		
	Maximum gain (AGC)	The level can be set in the range of 0 to 11.		
	Color/BW (ICR)	Off / On / Auto1 (Normal) / Auto2 (IR Light) / Auto3 (SCC)		
	Digital Noise Reduction	The level can be set in the range of 0 to 255.		
	Video Motion Detection (VMD)	On / Off, 4 areas available		
	Intelligent VMD (i-VMD) <sup>*3</sup>	Type 4 *Bundled License		
	Stabilizer <sup>*3</sup>	On / Off (available only in the 30 fps mode)		
	Privacy Zone	On / Off (up to 8 zones available)		
	Image rotation <sup>*4</sup>	0 ° / 90 ° / 180 ° / 270 °		
	Camera Title (OSD)	On / Off Up to 20 characters (alphanumeric characters, marks)		
	Focus Adjustment	Auto back focus / Manual		
Camera Control	Brightness, AUX On / Off			
<b>Browser GUI</b>	Audio	Mic (Line) Input : On / Off Volume adjustment : Low / Middle / High Audio Output : On / Off Volume adjustment : Low / Middle / High		
	GUI / Setup Menu Language	English, Italian, French, German, Spanish, Portuguese, Russian, Chinese, Japanese		
<b>Network</b>	Network IF	10Base-T / 100Base-TX, RJ45 connector		
	Resolution	<b>*2 mega pixel [16 : 9] (30/60 fps)</b> 1,920 x 1,080 / 1,280 x 720 / 640 x 360 / 320 x 180		
	H.265 / H.264			
	JPEG (MJPEG)	<b>*3 mega pixel [4 : 3] (30 fps)</b> 2,048 x 1,536 <sup>*5</sup> / 1,280 x 960 / 800 x 600 / 640 x 480 / 400 x 300 / 320 x 240		
	H.265 / H.264 <sup>*6</sup>	Transmission Mode	Constant bit rate / VBR / Frame rate / Best effort	
	JPEG	Transmission Type	Unicast / Multicast	
		Image Quality	10 steps	
		Smart Coding	Smart Facial Coding <sup>*3</sup> : On (Smart Facial Coding) / On (Auto VIQS) / Off <sup>*3</sup> Smart Facial Coding is only available with Stream(1). GOP (Group of pictures) : On (Advanced) / On (Mid) / On (Low) / Off <sup>*3</sup> On(Advanced) is only available with H.265.	
		Audio Compression	G.726 (ADPCM) : 16 kbps / 32 kbps G.711 : 64 kbps AAC-LC <sup>*7</sup> : 64 kbps / 96 kbps / 128 kbps	
		Audio transmission mode	Off / Mic (Line) input / Audio output / Interactive (Half duplex) / Interactive (Full duplex)	

<b>Network</b>	Supported Protocol	IPv6 : TCP/IP, UDP/IP, HTTP, HTTPS, RTP, FTP, SMTP, DNS, NTP, SNMP, DHCPv6, MLD, ICMP, ARP, IEEE 802.1X, DiffServ IPv4 : TCP/IP, UDP/IP, HTTP, HTTPS, RTSP, RTP, RTP/RTCP, FTP, SMTP, DHCP, DNS, DDNS, NTP, SNMP, UPnP, IGMP, ICMP, ARP, IEEE 802.1X, DiffServ
	No. of Simultaneous Users	Up to 14 users (Depends on network conditions)
<b>Alarm</b>	Alarm Source	3 terminals input, VMD alarm <sup>*8</sup> , Command alarm, Audio detection alarm
	Alarm Actions	SDXC/SDHC/SD memory recording, E-mail notification, HTTP alarm notification Indication on browser, FTP image transfer, Panasonic alarm protocol output
<b>Input/ Output</b>	Monitor Output (for adjustment)	VBS : 1.0 V [p-p] / 75 Ω, composite, Pin jack An NTSC or PAL signal can be outputted from camera
	Audio input	σ3.5 mm stereo mini jack Input impedance: Approx. 2 kΩ (unbalanced) (Applicable microphone : Plug-in power type) Supply voltage : 2.5 V ±0.5 V
	Audio Output	σ3.5 mm stereo mini jack (monaural output) Output impedance : Approx. 600 Ω (unbalanced)
<b>General</b>	External I/O Terminals	ALARM IN 1 (Black & white input, Auto time adjustment input) (x1), ALARM IN 2 (ALARM OUT) (x1), ALARM IN 3 (AUX OUT) (x1)
	Safety	UL (UL60950-1), c-UL (CSA C22.2 No.60950-1), CE, IEC60950-1
<b>Power Source and Power Consumption</b>	EMC	FCC (Part15 ClassA), ICES003 ClassA, EN55032 ClassB, EN55024
	DC power supply	DC12 V 460 mA, Approx. 5.6 W
	PoE (IEEE802.3af compliant) Device :	DC48 V 120 mA, Approx. 5.8 W (Class 2 device)
	Ambient Operating Temperature	-10 °C to +50 °C (14 °F to 122 °F)
	Ambient Operating Humidity	10 to 90 % (no condensation)
	Dimensions	75 mm (W) x 57 mm (H) x 146 mm (D) {2-15/16 inches (W) x 2-1/4 inches (H) x 5-3/4 inches (D)} (excluding lens / power cord plug)
	Mass (approx.)	350 g (0.77 lbs.)
	Finish	Main body : PC / ABS resin (Sail white)

<sup>\*1</sup> Converted value

<sup>\*2</sup> Super Dynamic function is automatically set off on 60 fps mode.

<sup>\*3</sup> Stabilizer, Smart Facial Coding, i-VMD can not be used at the same time.

<sup>\*4</sup> When "3 mega pixel [4 : 3] (30fps mode)" is selected for "Image capture mode", "90 °" and "270 °" cannot be selected.

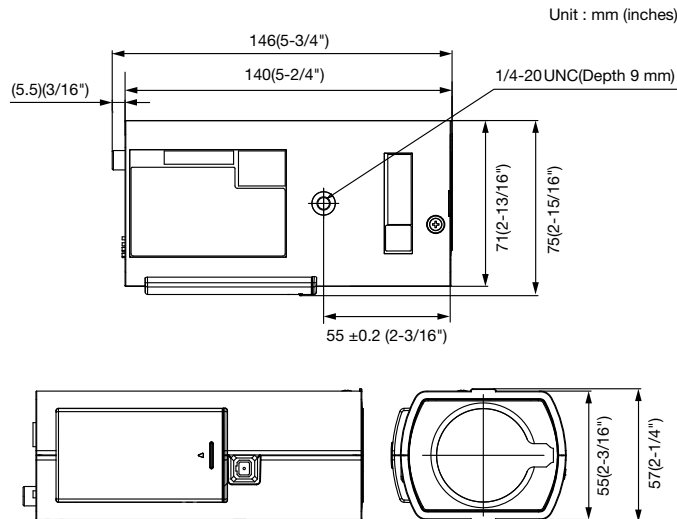
<sup>\*5</sup> Used by super resolution techniques

<sup>\*6</sup> Transmission for 4 streams can be individually set.

<sup>\*7</sup> When recording audio on an SD memory card, only use AAC-LC (Advanced Audio Coding - Low Complexity).

<sup>\*8</sup> Including alarms from Plug-in Software

## Appearance



### Trademarks and registered trademarks

- iPad and iPhone are trademarks of Apple Inc., registered in the U.S. and other countries.
- Android is a trademark of Google LLC.
- ONVIF and the ONVIF logo are trademarks or registered trademarks of Onvif Inc.
- All other trademarks identified herein are the property of their respective owners.

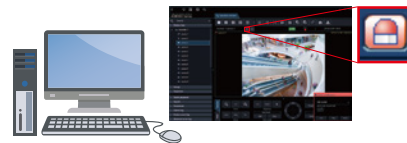
• Masses and dimensions are approximate. • Specifications are subject to change without notice.

## Bundled License

### Plug-in Software for i-VMD

i-VMD is possible to detect objects in the specified area by advanced video analysis technology.

i-VMD : Intruder Detection, Loitering Detection, Direction Detection, Scene Change Detection, Object Detection, Cross Line Detection



### Important

- Safety Precaution : Carefully read the Important Information, Installation Guide and operating instructions before using this product.
- Panasonic cannot be responsible for the performance of the network and/or other manufacturers' products used on the network.

DISTRIBUTED BY :

# Panasonic

<https://security.panasonic.com>

<https://www.facebook.com/Panasonicnetworkcamera/>

(2A-170EL)