

## iA H.265 360-degree Indoor Dome Camera

Panasonic WV-S4150 captures the highest quality images in even very challenging and dynamic environments.

In particular, the image of the person's face or object at the edge of the fisheye is clear with less distortion.

Intelligent Auto (iA) monitors scene dynamics and motion to adjust key camera settings automatically in real-time reducing distortion such as motion blur on moving objects. Adopting H.265 Smart Coding technology, bandwidth efficiency is intelligently increased for longer recording and less storage. Cameras out-of-the-box, use an encryption module standardized by FIPS Publication 140-2 for secure video streaming.

### Extreme image quality for evidence capturing under challenging conditions

- Clear and less distorted image of the person's face and objects at the edge of the fisheye
- Instant response to sudden light changes like tunnel entry and exit
- Auto Shutter speed control for fast moving objects
- Super Dynamic 108dB for backlit situations and shadows on night streets

### Extreme bandwidth compression with new Panasonic H.265 Smart Coding

- Longer recording and less storage space compared to any H.264 based compression techniques
- New self-learning ROI\* encoding (Auto VIQS) dynamically detects motion areas to keep vehicles and humans in good picture quality while lowering your bandwidth \*Region of Interest

### Extreme Data Security

- Full encryption SD card edge recording to keep your data safe
- FIPS140-2 CAVP compliant \*Using encryption module standardized by FIPS publication 140-2
- Full end-to-end system encryption with supported VMS and devices to protect from IP snooping/spoofing and detect data alteration

### Complete with powerful analytics built-in\*

- Heat map : Visualization of people's traffic pattern and staying times
- People Counting : Statistics data on the number of people entering and leaving a specific zone
- MOR (Moving Object Remover) : Monitoring of only the surrounding environment by removing people and other moving objects from video \*To enable analytics, please add the optional WV-SAE200 software.

### Key Features

- 5-megapixel images up to 30 fps
- iA (intelligent Auto)
- Super Dynamic 108dB
- H.265 Smart Coding
- i-VMD License Bundled

### Industry examples

- Retail / Bank
- Education / Hospital
- Building
- Transportation (Airport / Subway station)
- Logistics



## Specifications

<b>Camera</b>	Image Sensor	Approx. 1/3 type MOS image sensor
	Minimum Illumination	Color : 0.3 lx, BW : 0.2 lx (F2.4, Maximum shutter : Off (1/30 s), AGC : 11) Color : 0.02 lx, BW : 0.013 lx (F2.4, Maximum shutter : max. 16/30s, AGC : 11) **
	Intelligent Auto	On / Off
	Maximum shutter	Max.16/30s to Max. 1/10000s
	Super Dynamic	On / Off, the level can be set in the range of 0 to 31.
	Dynamic Range	108 dB (Super Dynamic : On, level : 31)
	Image Settings	Gain (AGC), White balance
	Image Compensation	Adaptive black stretch, Back light compensation (BLC), Fog compensation, High light compensation (HLC), Digital noise reduction
	Day / Night (Electrical)	Off / Auto
	Video Motion Detection (VMD)	On / Off, 4 areas available
	Intelligent VMD (i-VMD) <sup>2</sup>	Type 5 *Bundled License
	Privacy Zone	On / Off (up to 8 zones available)
	Camera Title (OSD)	On / Off Up to 20 characters (alphanumeric characters, marks)
	Fixing angle adjustment	-5°, 0°, +5°
<b>Lens</b>	Zoom Ratio	1x
	Digital (electronic) zoom	Choose from 3 levels of x1, x2, x4
	Focal length	0.84 mm (1/32 inches)
	Maximum Aperture Ratio	1 : 2.4
	Focus range	0.3 m (11-13/16 inches) - ∞
	Angular Field of view	Horizontal : 186° Vertical : 186°
<b>Browser GUI</b>	Camera Control	Brightness, AUX On / Off
	Audio	Mic (Line) Input : On / Off Volume adjustment : Low / Middle / High Audio Output : On / Off Volume adjustment : Low / Middle / High
	GUI / Setup Menu Language	English, Italian, French, German, Spanish, Portuguese, Russian, Chinese, Japanese
<b>Network</b>	Network IF	10Base-T / 100Base-TX, RJ45 connector
	Resolution	<Ceiling> <Wall> <b>*Fisheye mode max.30 fps</b> 2192x2192 / 1280x1280 / 640x640 / 320x320 <b>*Quad PTZ mode max.30 fps, Single PTZ mode max.30 fps</b> 1600x1200 / 1280x960 / 800x600 / VGA / QVGA
		<Ceiling> <b>*Double Panorama mode (max. 30 fps)</b> 1920x1080 / 1280x720 / 640x360 / 320x180 <b>*Fisheye + Double Panorama mode (max. 30 fps)</b> (Fisheye) 2192x2192 / 1280x1280 / 640x640 / 320x320 (Double Panorama) 1280x720 / 640x360 / 320x180 <b>*Fisheye + Quad PTZ mode (max. 30 fps)</b> (Fisheye) 2192x2192 / 1280x1280 / 640x640 / 320x320 (Quad PTZ) 1280x960 / 800x600 / VGA / QVGA <b>*Quad streams mode</b> (Single PTZ (Quad streams)) 1280x960 / 800x600 / VGA / QVGA (max. 30 fps) (Quad PTZ) 1600x1200 / 1280x960 / 800x600 / VGA / QVGA (max. 5 fps)
		<Wall> <b>*Panorama mode (max. 30 fps)</b> 1920x1080 / 1280x720 / 640x360 / 320x180 <b>*Fisheye + Panorama mode (max. 30 fps)</b> (Fisheye) 2192x2192 / 1280x1280 / 640x640 / 320x320 (Panorama) 1280x720 / 640x360 / 320x180

<b>Network</b>	H.265/ H.264 <sup>3</sup>	Transmission Mode	Constant bit rate / VBR / Frame rate / Best effort
	H.264 <sup>3</sup>	Transmission Type	Unicast / Multicast
	JPEG	Image Quality	10 steps
	Smart Coding		<b>GOP (Group of pictures) control :</b> On (Frame rate control) / On (Advanced) / On (Mid) / On (Low) / Off *On (Frame rate control) and On (Advanced) are only available with H.265. <b>Auto VIGS : On / Off</b>
	Audio Compression		G.726 (ADPCM) : 16 kbps / 32 kbps, G.711 : 64 kbps, AAC-LC <sup>4</sup> : 64 kbps / 96 kbps / 128 kbps
	Supported Protocol		IPv6 : TCP/IP, UDP/IP, HTTP, HTTPS, FTP, SMTP, DNS, NTP, SNMP, DHCPv6, RTP, MLD, ICMP, ARP, IEEE 802.1X, DiffServ IPv4 : TCP/IP, UDP/IP, HTTP, HTTPS, RTSP, RTP, RTSP/RTCP, FTP, SMTP, DHCP, DNS, DDNS, NTP, SNMP, UPnP, IGMP, ICMP, ARP, IEEE 802.1X, DiffServ
	Maximum concurrent access number		Up to 14 users (Depends on network conditions)
	SDXC/SDHC/SD Memory Card (Option)		H.265 / H.264 recording : Manual REC / Alarm REC (Pre/Post) / Schedule REC / Backup upon network failure JPEG recording : Manual REC / Alarm REC (Pre/Post) / Backup upon network failure Compatible SDXC/SDHC/SD card : Panasonic 2 GB, 4 GB*, 8 GB*, 16 GB*, 32 GB*, 64 GB**, 128 GB**, 256 GB** model *SDHC card, ** SDXC card (except miniSD card and microSD card)
	Mobile Terminal Compatibility		iPad, iPhone, Android™ mobile terminals
	<b>Alarm</b>	Alarm Source	
Alarm Actions			SDXC/SDHC/SD memory recording, E-mail notification, HTTP alarm notification Indication on browser, FTP image transfer, Panasonic alarm protocol output
<b>Input/Output</b>	Audio Input		ø3.5 mm stereo mini jack, Recommended applicable microphone : Plug-in power type (Sensitivity of microphone : -48 dB ±3 dB (0 dB=1 V / Pa, 1 kHz)) Input impedance : Approx. 2 kΩ (unbalanced) Supply voltage : 2.5 V ±0.5 V
	Built-in microphone		Nondirectional electret condenser microphone
	Audio Output <sup>5</sup>		ø3.5 mm stereo mini jack (monaural output) Output impedance : Approx. 600 Ω (unbalanced) Output level : -20 dBV
	External I/O Terminals		ALARM IN 1 (Auto time adjustment) (x1), ALARM IN 2 (ALARM OUT) (x1), ALARM IN 3 (AUX OUT) (x1)
<b>General</b>	Safety		UL (UL60950-1), c-UL (CSA C22.2 No.60950-1), CE, IEC60950-1 EMC FCC (Part15 ClassA), ICES003 ClassA, EN55032 ClassB, EN55024
	Power Source and Power Consumption		DC power supply : DC12 V 385 mA, Approx. 4.6 W PoE (IEEE802.3af compliant) Device : DC48 V 105 mA, Approx. 5.1 W (Class 2 device)
	Ambient Operating Temperature		-10 °C to +50 °C (14 °F to 122 °F)
	Ambient Operating Humidity		10% to 90 % (no condensation)
	Dimensions		ø150 mm x 50.5 mm (H) (ø5-29/32 inches x 2 inches (H))
	Mass (approx.)		Approx. 390 g (0.86 lbs)
	Finish		Main body : ABS resin, sail white

\*1 Converted value

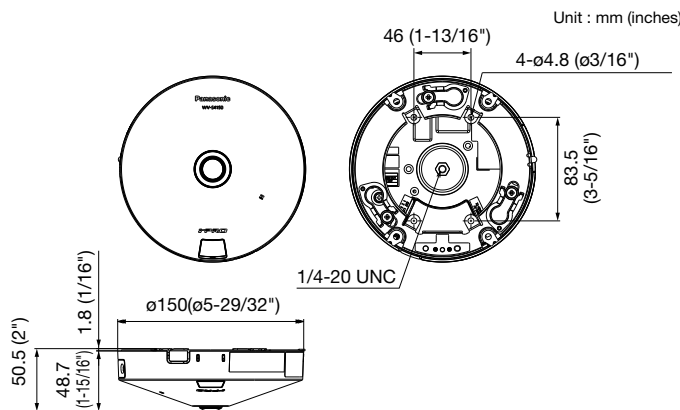
\*2 Auto VIGS, i-VMD, can not be used at the same time.

\*3 Transmission for 2 streams can be individually set.

\*4 When recording audio on an SD memory card, only use AAC-LC (Advanced Audio Coding - Low Complexity).

\*5 The audio output can be switched to the monitor output. Refer to the Operating Instructions on the provided CD-ROM for descriptions of how to switch the output. (factory shipment : NTSC monitor)

## Appearance



### Trademarks and registered trademarks

- iPad and iPhone are trademarks of Apple Inc., registered in the U.S. and other countries.
- Android is a trademark of Google LLC.
- ONVIF and the ONVIF logo are trademarks or registered trademarks of Onvif Inc.
- All other trademarks identified herein are the property of their respective owners.

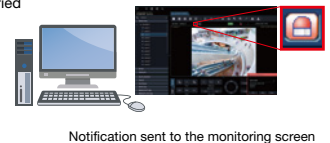
DISTRIBUTED BY :

## Bundled License

### Plug-in Software for i-VMD

i-VMD is possible to detect objects in the specified area by advanced video analysis technology.

- i-VMD : People Counting, Heat-map, MOR (Moving Object Remover), Intruder Detection, Loitering Detection, Cross line Detection, Object Detection, Scene change Detection



## Optional Accessories

### Mount Bracket

Ceiling Mount Bracket  
**WV-Q105A**



### Important

- Safety Precaution : Carefully read the Important Information, Installation Guide and operating instructions before using this product.

- Panasonic cannot be responsible for the performance of the network and/or other manufacturers' products used on the network.

• Masses and dimensions are approximate. • Specifications are subject to change without notice.

# Panasonic

<https://security.panasonic.com>

<https://www.facebook.com/Panasonicnetworkcamera/>

(2A-202CL)