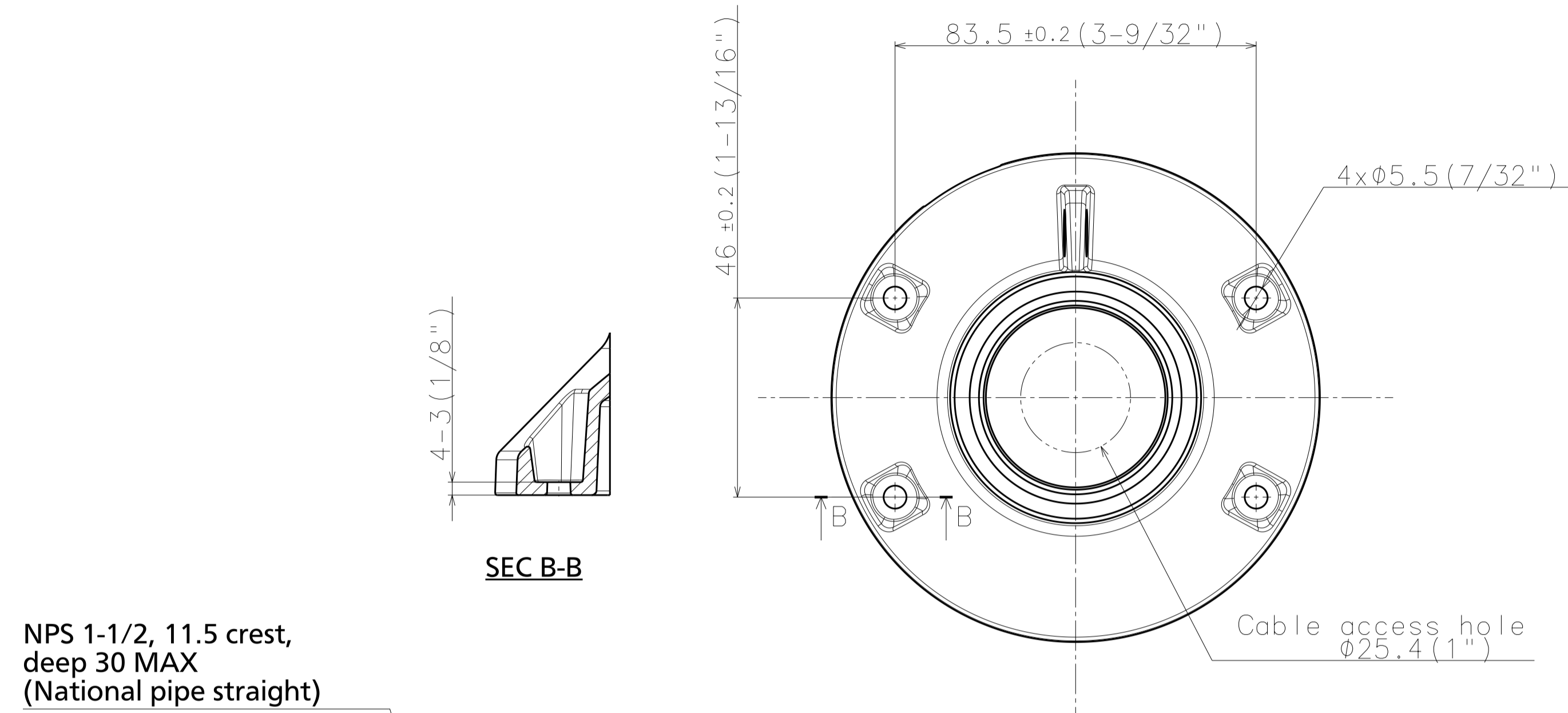
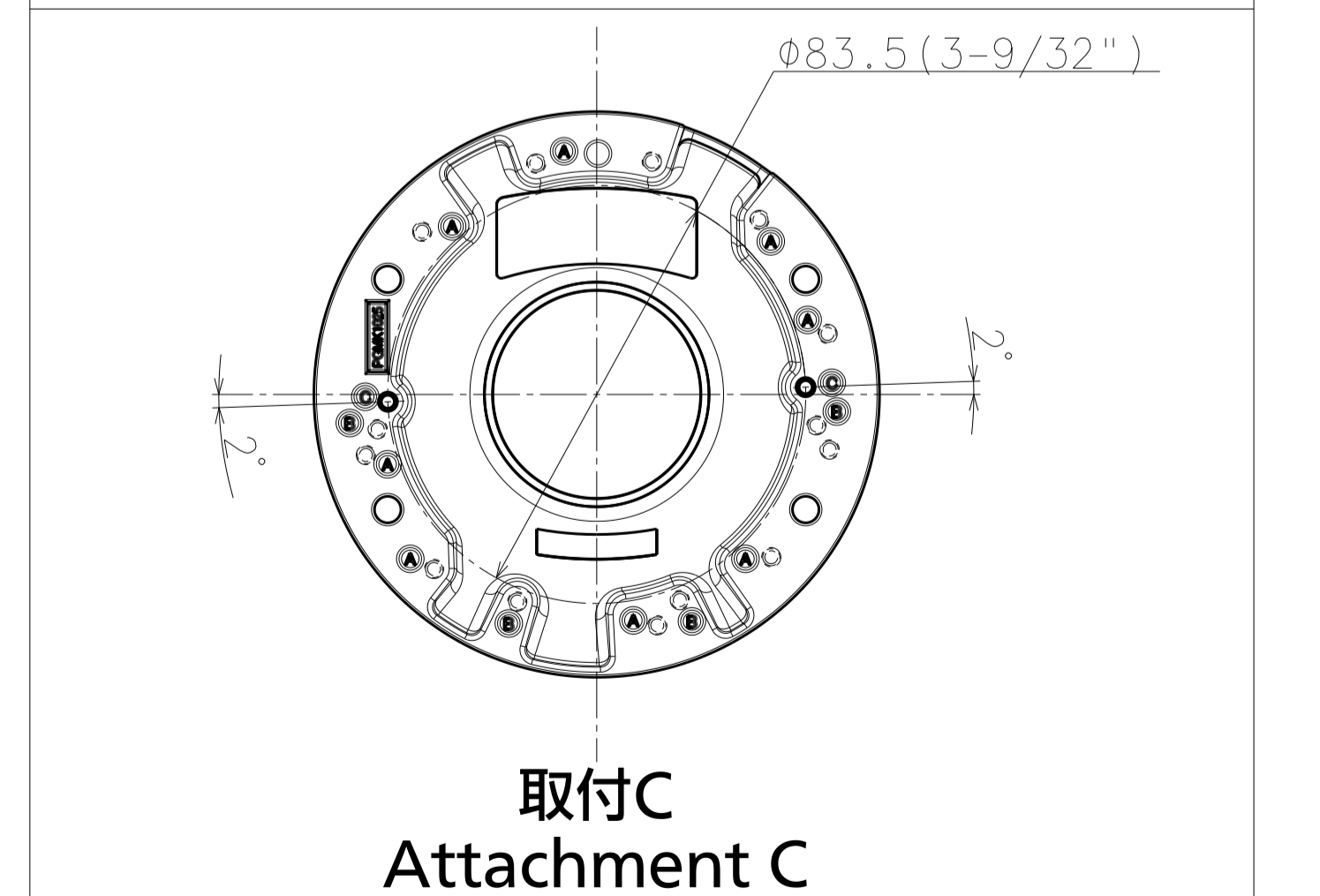
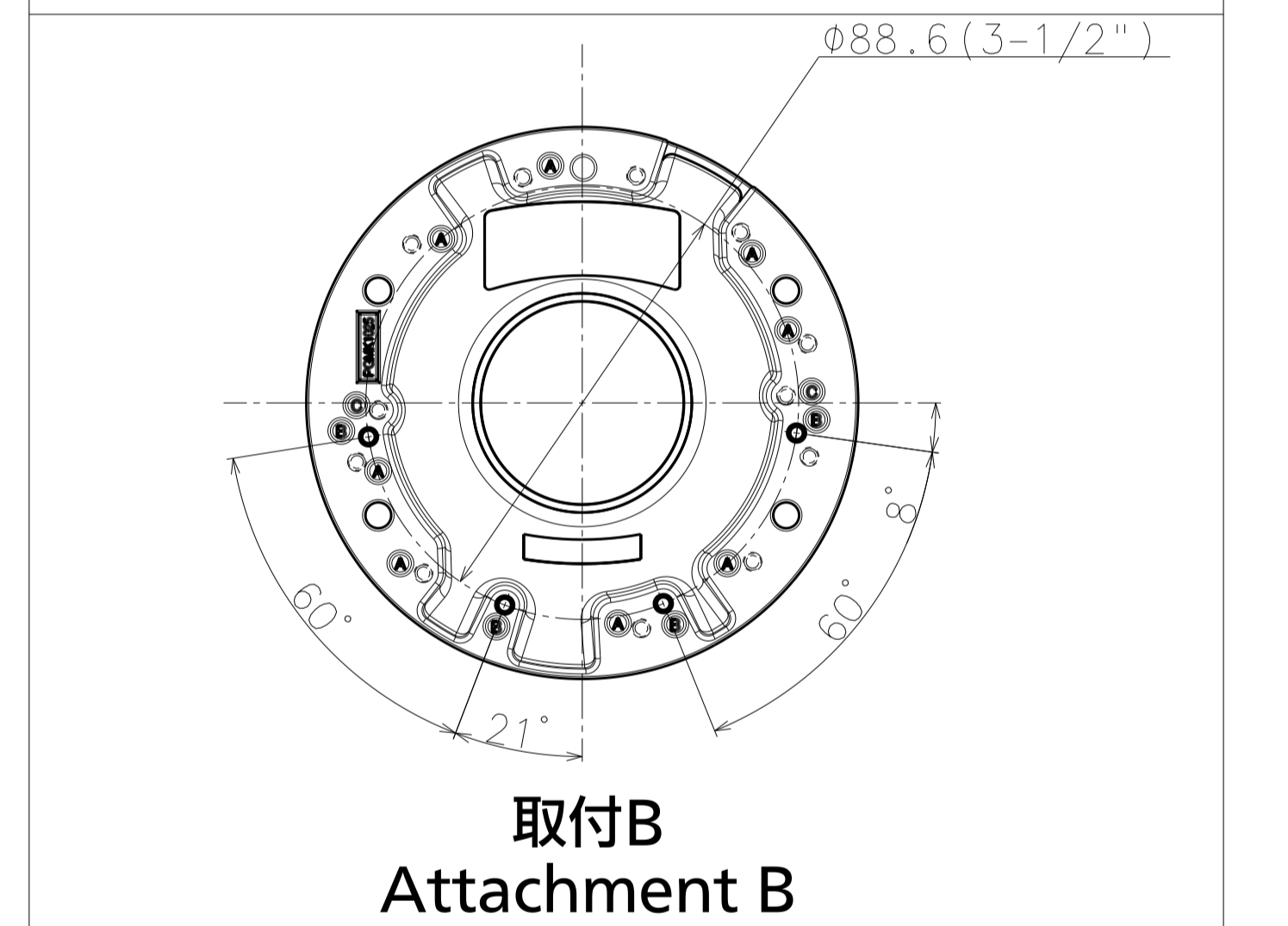
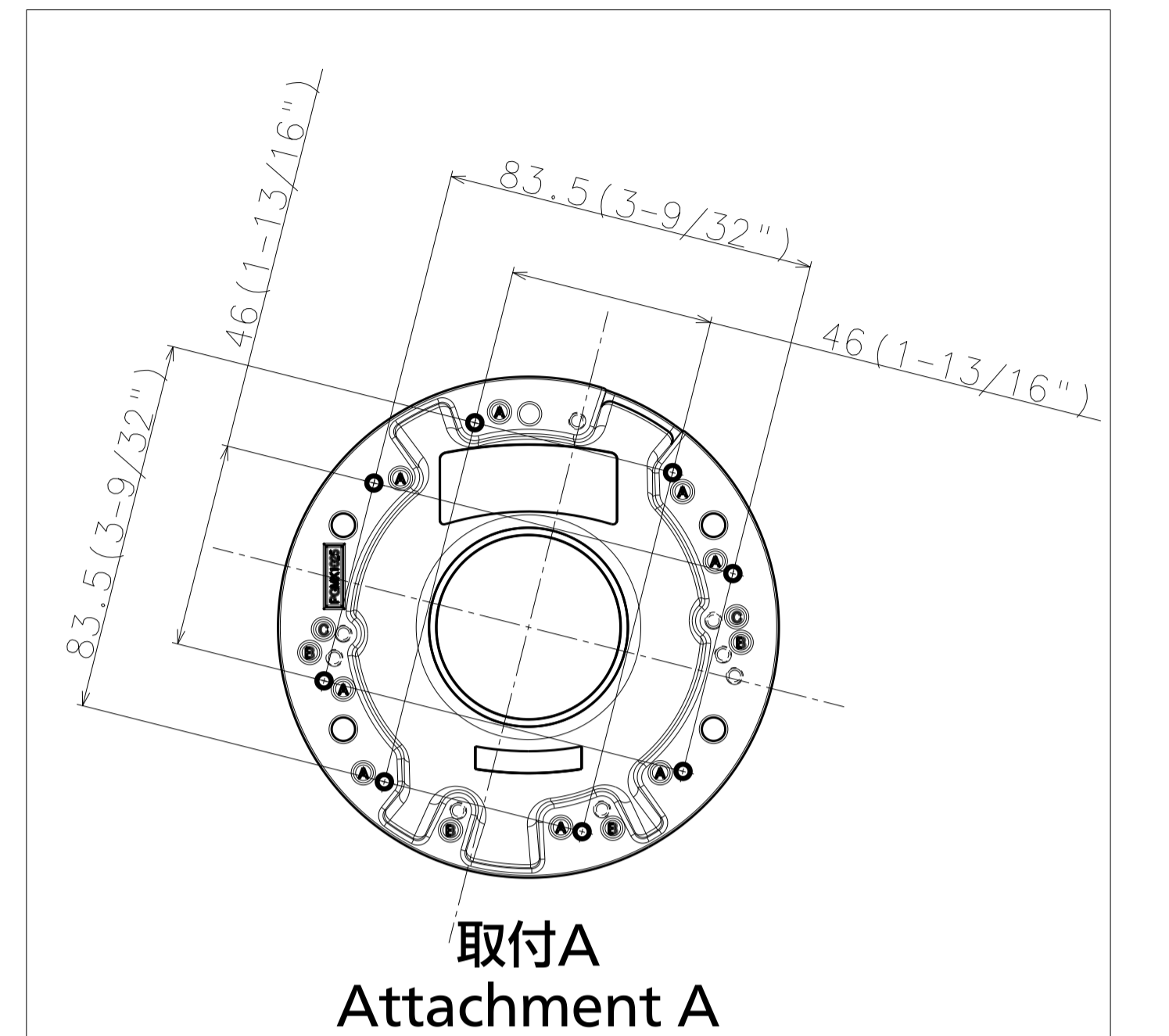
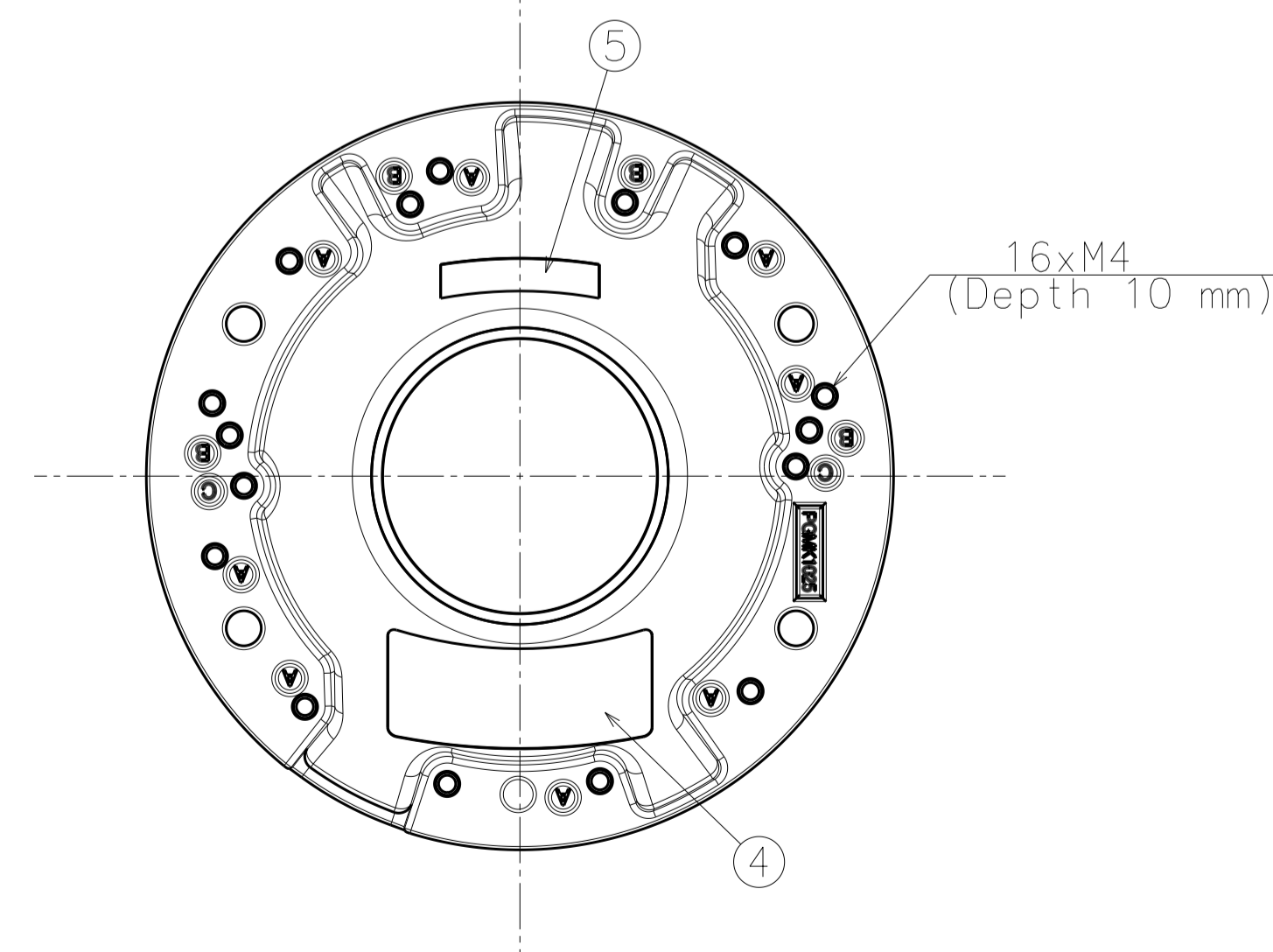
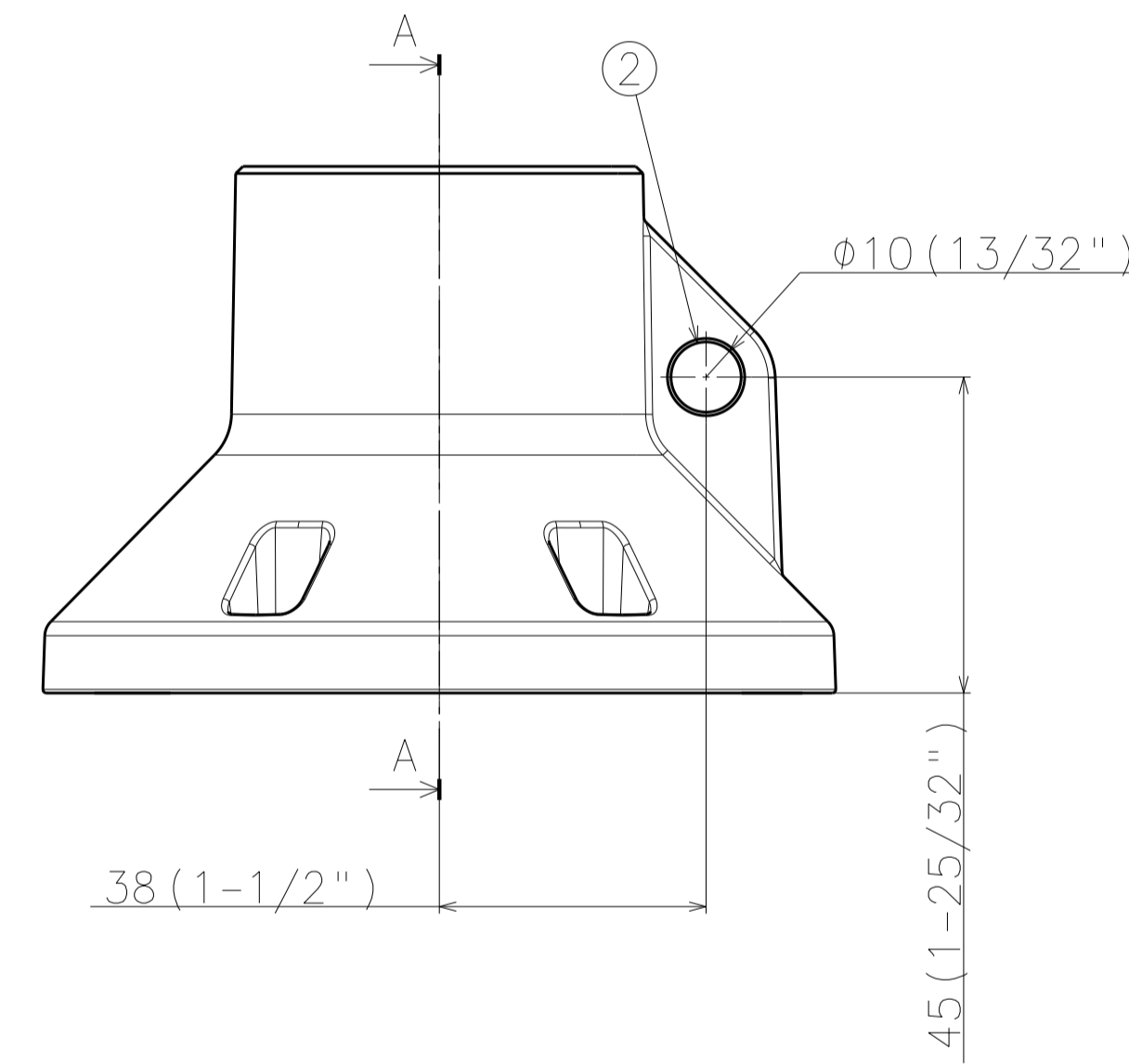
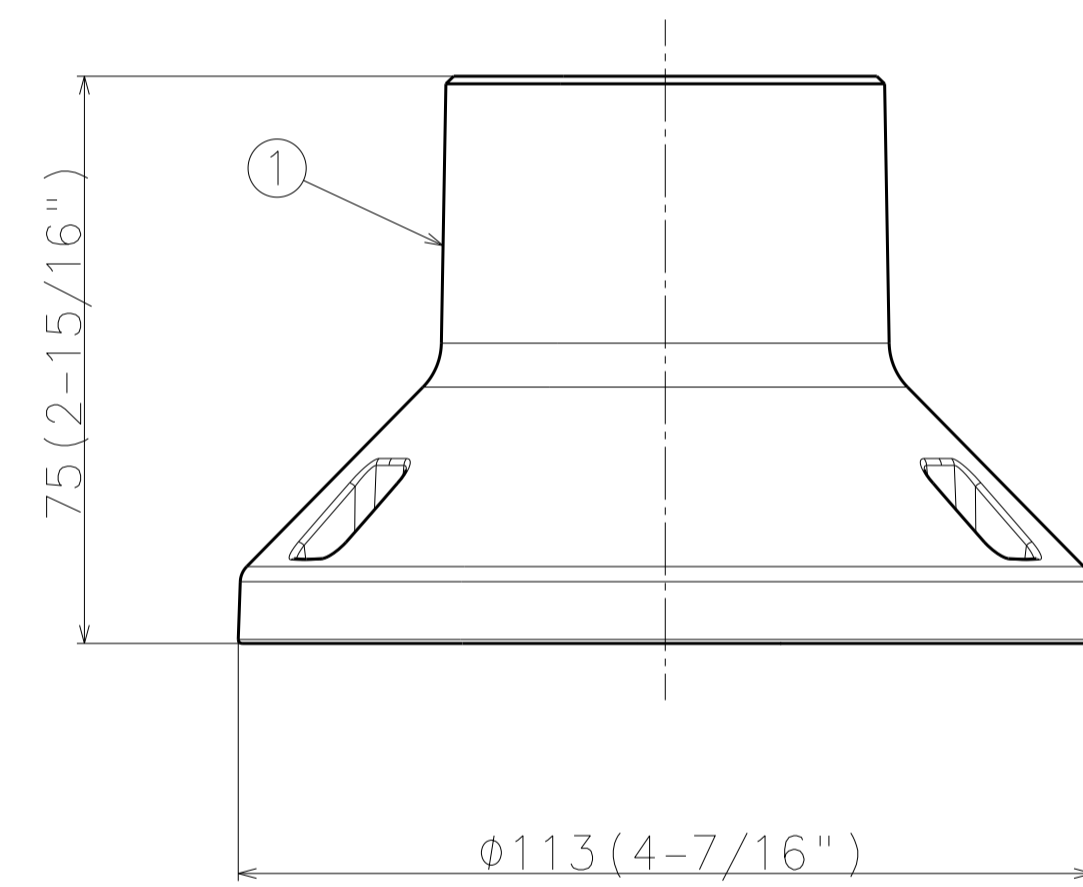
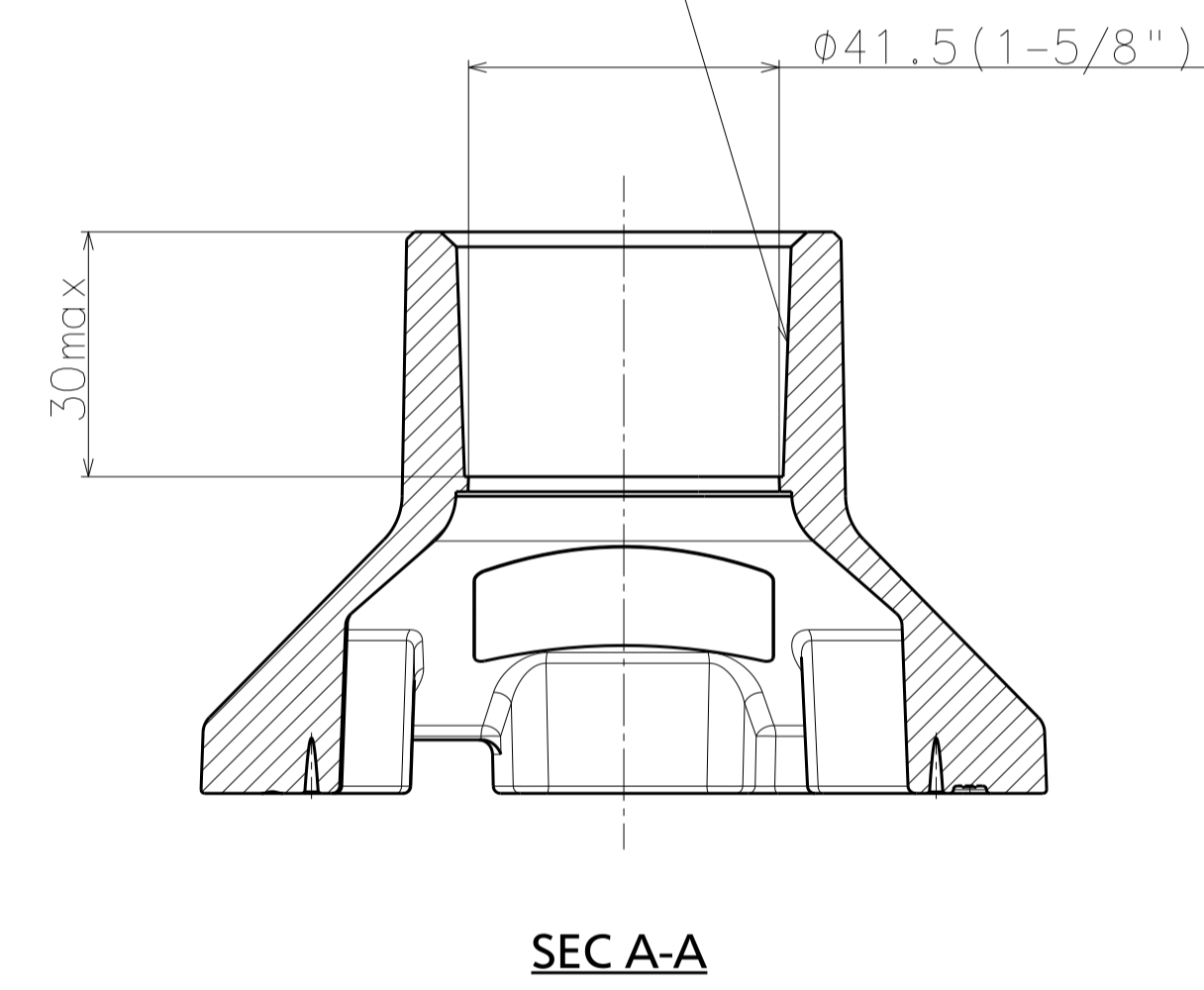


No.	品名	Part Name	Material	Process-Remark
1	カメラ天井吊り下げ金具	Ceiling Mount Bracket	Aluminium die cast	Coating (i-PRO white)
2	ワイヤー引込掛け穴	Wire hook hole	-	-
3	天井取付け孔	Mounting hole for ceiling	-	-
4	主銘板	Name plate	Polyester Film	Printing
5	シリアルバーコードラベル	Serial barcode label	Polyester Film	Printing



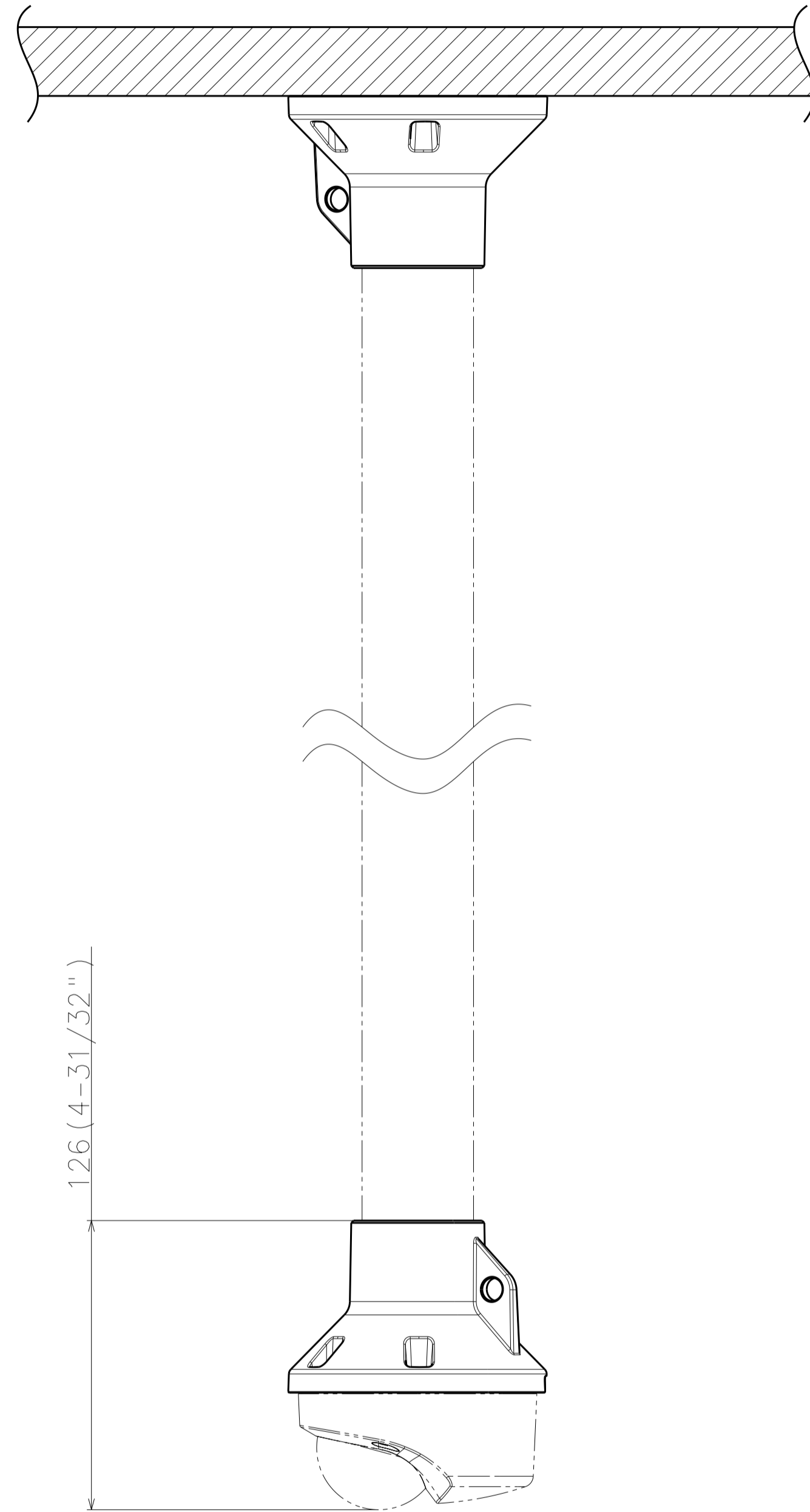
NPS 1-1/2, 11.5 crest,
deep 30 MAX
(National pipe straight)



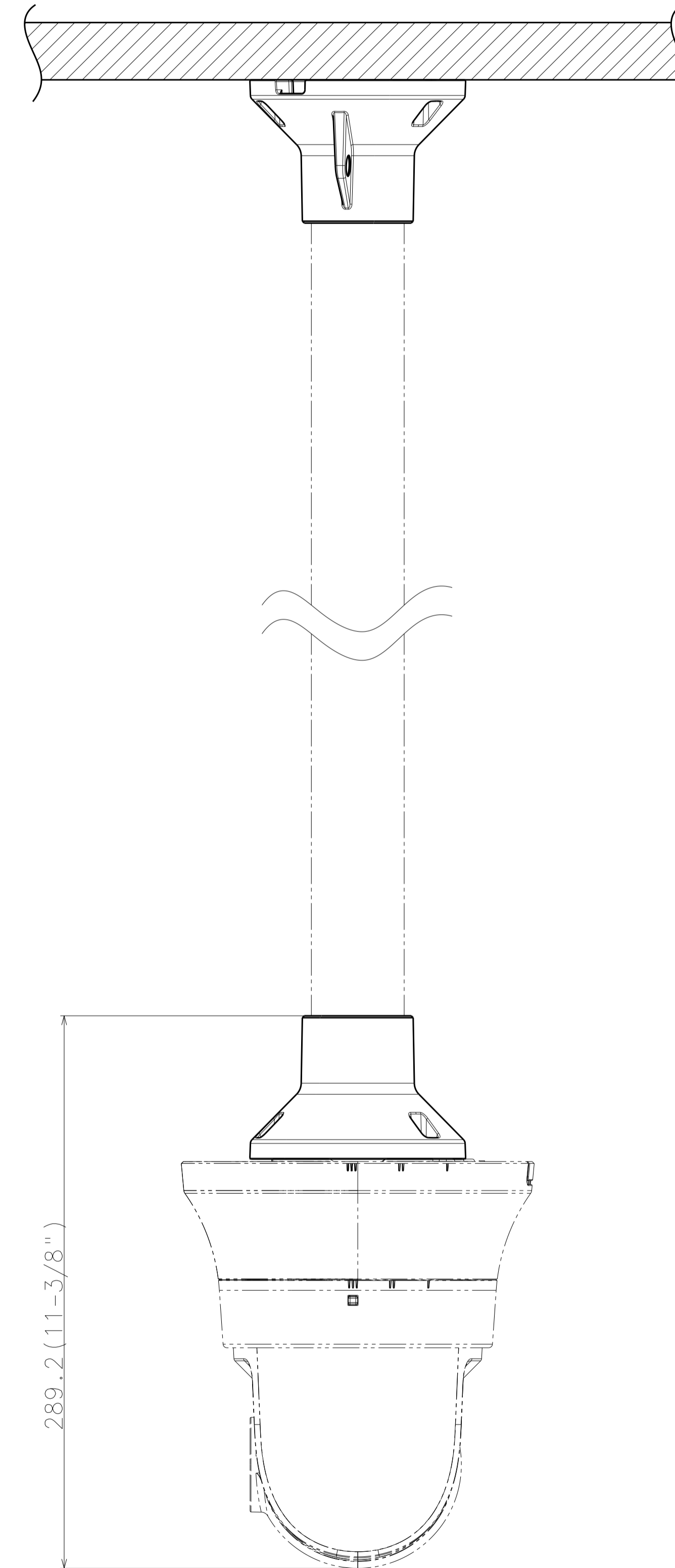
Weight : Approx. 300 g {0.66 lbs}

WV-QCL101-W (WV-QCL101-WUYS)

Connect to WV-S3131L



Connect to WV-S6131



WV-QCL101-W (WV-QCL101-WUYS)