

4K Vandal Resistant Outdoor Dome Network Camera

Designed to equip security professionals with the best possible CCTV footage for evidence, the WV-S2572L captures high-quality 4K images even in very challenging, and dynamic environments that require reliable hardware.

To adjust key camera settings automatically in real time, improved intelligent auto (iA) monitors scene dynamics and motion, and captures clear images while reducing distortion such as motion blur on moving objects.

In order to save bandwidth at 50%* lower than existing cameras and maintain image quality, the improved Smart Coding technology optimizes video compression through captured scene. *Compared to Smart Coding OFF with H.265

Extreme image quality allows evidence to be captured even under challenging conditions

- True 4K lens and large image sensor realize wide area surveillance with improved high-quality images
- Auto shutter speed control for moving objects
- Outstanding low-light performance in true color with low noise for nighttime applications
- Built-in IR LED to produce a clear monochrome image in 0 lux conditions with 40 m (131 feet) irradiation distance
- Environmental durability: IP66, IK10

Extreme bandwidth compression with evolved Smart Coding

- Longer recording and less storage requirements compared to traditional H.265 compression techniques
- Improved video compression technology detects objects such as faces, humans, vehicles and motorcycles / bicycles within the image and compresses the areas without objects in order to reduce transmitted data while maintaining image quality

Easy installation

- Allows you to connect the network cable to the camera body simply by opening a part of the package, which saves you time and workspace, especially when handling multiple cameras

Key Features

- 4K (3,840 x 2,160) up to 30fps
- Intelligent Auto
- Color night vision (0.006 to 0.09 lx)
- H.265 Smart Coding
- FIPS140-2 CAVP compliant
- i-VMD License Bundled
- Onvif Profile G / S / T

*Using encryption module standardized by FIPS publication 140-2

Industry examples

- Safe Cities
- Transportation (Airport / Train, Subway station)
- Bank (ATM, Entrance)
- Retail / Logistics / Education / Hospital / Building



Specifications

Camera	Image Sensor	1/1.8 type CMOS image sensor
	Minimum Illumination	Color : 0.09 lx, BW : 0.05 lx (F1.5, Maximum shutter : Off (1/30s), AGC : 11) BW : 0 lx (F1.5, Maximum shutter : Off (1/30 s), AGC : 11, when the IR LED is lit) Color : 0.006 lx, BW : 0.003 lx (F1.5, Maximum shutter : max. 16/30s, AGC : 11)*1
	White Balance	ATW1/ATW2/AWC
	Shutter Speed	{30fps mode} 1/30 Fix to 1/10000 Fix {25fps mode} 1/25 Fix to 1/10000 Fix
	Intelligent Auto	On / Off
	Super Dynamic	On / Off, The level can be set in the range of 0 to 31.
	Dynamic Range	Max. 132 dB (Super Dynamic : On, Level : 31)
	Adaptive Black Stretch	The level can be set in the range of 0 to 255.
	Back light compensation / High light compensation	BLC (Back light compensation) / HLC (High light compensation) / Off The level can be set in the range of 0 to 31. (only when Super dynamic / Intelligent Auto : Off)
	Fog compensation	On / Off, The level can be set in the range of 0 to 8 (only when Intelligent auto / auto contrast adjust : Off)
	Maximum gain	The level can be set in the range of 0 to 11.
	Color/BW (ICR)	Off / On (IR Light Off) / On (IR Light On) / Auto1 (IR Light Off) / Auto2 (IR Light On) / Auto3 (SCC)
	IR LED Light	High / Middle / Low / Off, Maximum irradiation distance : 40 m {Approx. 131 ft}
	Digital Noise Reduction	The level can be set in the range of 0 to 255.
	Video Motion Detection (VMD)	On / Off, 4 areas available
	Scene Change Detection (SCD)	On / Off, 1 area available
	Intelligent VMD (i-VMD)	Type 7 *Bundled License
	Privacy Zone	On / Off, Up to 8 zones available
	Image rotation*2 *3	0° (Off) / 90° / 180° (Upside-down) / 270°
	Camera Title (OSD)	On / Off, Up to 20 characters (alphanumeric characters, marks)
Lens	Optical zoom	2.0x (Motorized zoom / Motorized focus)
	Extra optical zoom	6.0x (when resolution is 1280x720)
	Digital (electronic) zoom	Choose from 3 levels of x1, x2, x4
	Focal length	4.3 mm - 8.6 mm (5/32 inches - 11/32 inches)
	Maximum Aperture Ratio	1 : 1.5 (WIDE) - 1 : 2.4 (TELE)
Focus range	1 m {39-3/8 inches} - ∞	
Angular Field of View	[16 : 9 mode] *{4:3 mode} is not supported. Horizontal : 52° (TELE) - 101° (WIDE), Vertical : 29° (TELE) - 55° (WIDE)	
DORI *4	Detect (25ppm / 8ft)	Wide: 63.31 m / 207.71 ft, Tele: 157.46 m / 516.61 ft
	Observe (62.5ppm / 19ft)	Wide: 25.32 m / 83.08 ft, Tele: 62.99 m / 206.64 ft
	Recognize (125ppm / 38ft)	Wide: 12.66 m / 41.54 ft, Tele: 31.49 m / 103.32 ft
	Identify (250ppm / 76ft)	Wide: 6.33 m / 20.77 ft, Tele: 15.75 m / 51.66 ft
Adjusting Angle	Horizontal (PAN) angle	±180°, Vertical (TILT) angle : -30 to +85°, Azimuth (YAW) angle : ±100°
	Camera Control	Brightness, AUX On / Off
Browser GUI	Audio	Mic (Line) Input : On / Off Volume adjustment : Low / Middle / High Audio Output : On / Off Volume adjustment : Low / Middle / High
	GUI / Setup Menu Language	English, Italian, French, German, Spanish, Portuguese, Russian, Chinese, Japanese
Network	Network IF	10Base-T / 100Base-TX, RJ45 connector
	Resolution*5	[16 : 9 mode] *{4:3 mode} is not supported. 3840x2160, 2560x1440, 1920x1080, 1280x720, 640x360, 320x180
	H.265 / H.264 / JPEG (MJPEG)	Constant bit rate / VBR / Frame rate / Best effort
	H.265 / H.264*6	Transmission Mode Transmission Type
	JPEG	Image Quality 10 steps
	Smart Coding	GOP (Group of pictures) control : On (Frame rate control) / On (Advanced) / On (Mid) / On (Low) / Off *On (Frame rate control) and On (Advanced) are only available with H.265. Auto VIGS : On / Off

*1 Converted value

*2 90° and 270° are invalid only in the 320x180 resolution.

*3 Following the setting angle of the rotated image, the analog output of the MONITOR OUT terminal rotates.

Network	Audio Compression	G.726 (ADPCM) : 16 kbps / 32 kbps G.711 : 64 kbps AAC-LC*7 : 64 kbps / 96 kbps / 128 kbps
	Audio transmission mode	Off / Mic (Line) input / Audio output / Interactive (Half duplex) / Interactive (Full duplex)
	Supported Protocol	IPv6 : TCP/IP, UDP/IP, HTTP, HTTPS, SMTP, DNS, NTP, SNMP, DHCPv6, RTP, MLD, ICMP, ARP, IEEE 802.1X, DiffServ IPv4 : TCP/IP, UDP/IP, HTTP, HTTPS, RTSP, RTP, RTSP/RTCP, SMTP, DHCP, DNS, DDNS, NTP, SNMP, UPnP, IGMP, ICMP, ARP, IEEE 802.1X, DiffServ
	No. of Simultaneous Users	Up to 14 users (Depends on network conditions)
Memory Card	SDXC/SDHC/SD	H.265 / H.264 recording : Manual REC / Alarm REC (Pre/Post) / Schedule REC / Backup upon network failure JPEG recording : Manual REC / Alarm REC (Pre/Post) Compatible SDXC/SDHC/SD Memory Card : Panasonic 2 GB, 4 GB*, 8 GB*, 16 GB*, 32 GB*, 64 GB**, 128 GB**, 256 GB**model *SDHC card, ** SDXC card (except miniSD card and microSD card)
	Mobile Terminal Compatibility	iPad, iPhone, Android™ terminals
Alarm	Alarm Source	3 terminals input, VMD alarm, SCD alarm, Command alarm
	Alarm Actions	SDXC/SDHC/SD memory recording, E-mail notification, HTTP alarm notification, Indication on browser, Panasonic alarm protocol output
Input/ Output	Monitor Output (for adjustment)	VBS : 1.0 V [p-p] / 75 Ω, composite, ø3.5 mm mini jack An NTSC or PAL signal can be outputted from camera
	Audio input	ø3.5 mm stereo mini jack For microphone input : Recommended applicable microphone : Plug-in power type (Sensitivity of microphone : -48 dB±3 dB (0 dB=1 V/Pa, 1 kHz)) Input impedance : Approx. 2 kΩ (unbalanced) Supply voltage : 2.5 V ±0.5 V
	Audio Output *8	ø3.5 mm stereo mini jack (Audio output is monaural.) Output impedance : Approx. 600 Ω (unbalanced) Output level : -20 dBV
	External I/O Terminals	ALARM IN 1 (Alarm input 1/ Black & white input/ Auto time adjustment input) (x1) ALARM IN 2 (Alarm input 2/ ALARM OUT) (x1), ALARM IN 3 (Alarm input 3/ AUX OUT) (x1)
General	Safety	UL (UL60950-1), c-UL (CSA C22.2 No.60950-1), CE, IEC60950-1
	EMC	FCC (Part15 ClassA), ICES003 ClassA, EN55032 ClassB, EN55024
	Power Source and Power Consumption	DC power supply : DC 12 V 980 mA/Approx. 11.8 W PoE (IEEE802.3af compliant) Device : DC48 V 260 mA/ Approx. 12.5 W (Class 0 device)
	Ambient Operating Temperature	-40 °C to +60 °C (-40 °F to +140 °F)*9 (Power On range : -30 °C to +60 °C (-22 °F to +140 °F))
	Ambient Operating Humidity	10 to 100 % (no condensation)
	Dehumidification Device	Temish element+Fan/Heater
	Water and Dust Resistance	IP66 (IEC60529), Type 4X(UL50E), NEMA 4X compliant
	Shock Resistance	50J (IEC 60068-2-75 compliant), IK10 (IEC 62282)
	Wind Resistance	Up to 40 m/s {approx. 89 mph}
	Dimensions	When using base bracket : ø164 mm x 139 mm (H) (ø6-15/32 inches x 5-15/32 inches (H)) Dome radius 42 mm {1-21/32 inches} When using attachment plate only : ø154 mm x 103 mm (H) (ø6-1/16 inches x 4-1/16 inches (H)) Dome radius 42 mm {1-21/32 inches}
Mass	When using base bracket : Approx. 1.6 kg (3.53 lbs) When using attachment plate only : Approx. 1.2 kg (2.65 lbs)	
Finish	Main body : Aluminum die cast, i-PRO white Outer fixing screws : Stainless steel (Corrosion-resistant treatment) Dome cover : Polycarbonate resin, Clear	

*4 Maximum distance at which a camera's tele and wide lens can meet DORI specifications. This value does not indicate the performance of the camera. Calculations made with the camera installed horizontally at resolution of 3840x2160.

*5 H.265/H.264 can be selected for each stream.

*6 Transmission for 4 streams can be individually set.

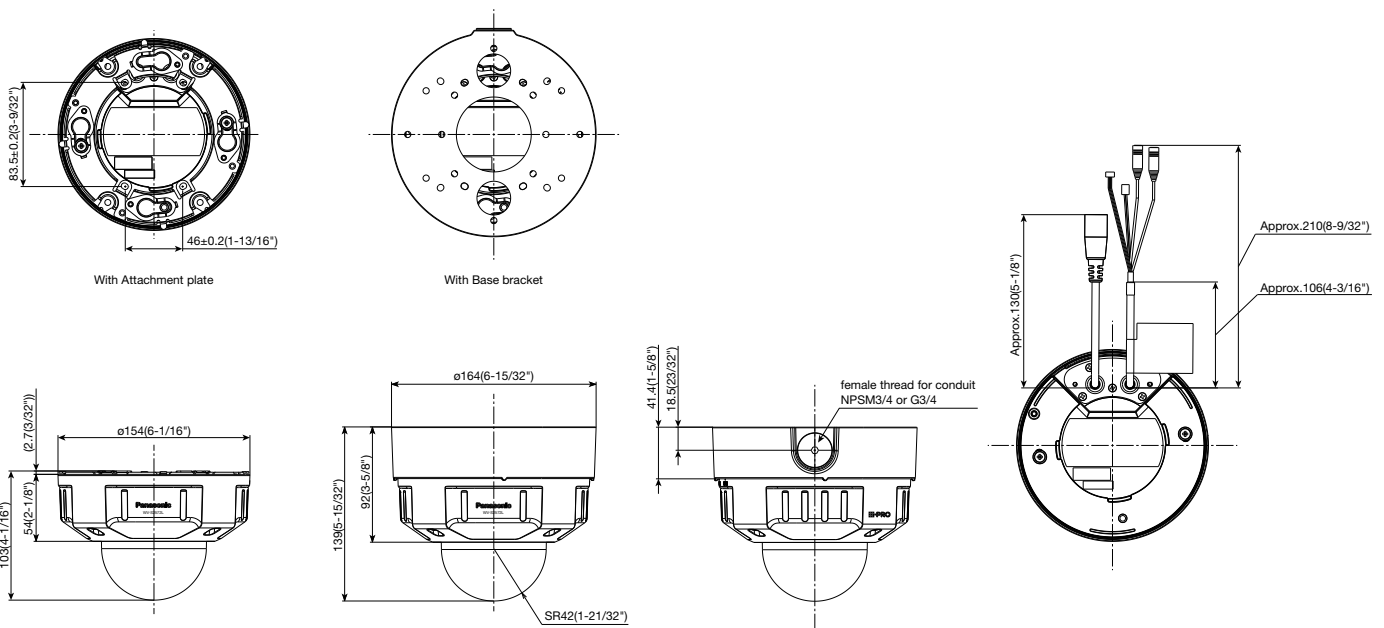
*7 When recording audio on an SD memory card, only use AAC-LC (Advanced Audio Coding - Low Complexity).

*8 This camera is not equipped with the function to change the audio output to the monitor output.

*9 When using with the IR LED light constantly lit, the upper limit of the operating temperature range is +50 °C (+122 °F).

Appearance

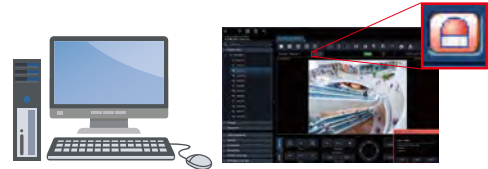
Unit : mm (inches)



Bundled License

Plug-in Software for i-VMD

i-VMD is possible to detect objects in the specified area by advanced video analysis technology.
i-VMD : Intruder Detection, Loitering Detection, Direction Detection, Cross Line Detection



Notification sent to the monitoring screen

Optional Accessories

Fiber Optic Media Converter Unit

Extension Unit
WV-S25F1
(Light gray)



Fiber Optic Media Converter Unit supports long distance optical networks by converting copper RJ45 to fiber.

• Basic specifications

Power source	24 V AC(50 Hz/60 Hz)
Ambient Operating Temperature :	-40 °C to +60 °C(-40 °F to 140 °F) (Power On range: -30 to +60 (-22 °F to 140 °F))
Ambient Operating Humidity :	10 % to 100 %(no condensation)
Waterproof	IP66(IEC60529)
Shock resistance	IK10(IEC62262)

*Refer to website for compatible SFP modules. <https://security.panasonic.com/support/info/> <Control No. : C0504>

• Support specifications for SFP module

SFP Port Type	LC type
Ethernet Speed	100/1000 Mbps
Supply voltage, current	3.3 V typical, Max. 300 mA
SFP Cage	Standard mini-SFP cage (For 6.5 mm pitch SFP)

*Different Color Model WV-X65F1 (Fine silver)

Mount Bracket / Dome Cover / Other

<p>Ceiling Mount Bracket WV-Q105A</p> <p>* For indoor installation only</p>	<p>Ceiling Mount Bracket (Embedded) WV-QEM500-W (i-PRO white)</p>	<p>Ceiling Mount Bracket WV-QCL100-W (i-PRO white)</p> <p>*For indoor installation only</p>	<p>Mount Bracket WV-QSR501-W (i-PRO white)</p> <p>(This bracket requires WV-QCL501-W, WV-QWL501-W or WV-QAT500-W.)</p>	<p>Ceiling Mount Bracket WV-QCL501-W (i-PRO white)</p> <p>(This bracket requires WV-QSR501-W.)</p>	<p>Wall Mount Bracket WV-QWL501-W (i-PRO white)</p> <p>(This bracket requires WV-QSR501-W.)</p>
<p>Wall Mount Bracket WV-QWL500-W (i-PRO white)</p>	<p>Adapter Box WV-QJB500-W (i-PRO white)</p> <p>(This bracket requires WV-QWL500-W.)</p>	<p>Sun Shade WV-QSR500-W (i-PRO white)</p>	<p>Pole Mount Bracket WV-QPL500-W (i-PRO white)</p> <p>(This bracket requires WV-QWL501-W, WV-QWL500-W or WV-QJB500-W.)</p>	<p>Corner Mount Bracket WV-QCN500-W (i-PRO white)</p> <p>(This bracket requires WV-QWL501-W, WV-QWL500-W or WV-QJB500-W.)</p>	<p>Attachment pipe (For 3rd party bracket) WV-QAT500-W (i-PRO white)</p> <p>(This bracket requires WV-QSR501-W.)</p>
<p>Dome Cover (Smoke type) WV-CW7S WV-CW7SN (Smoke type with ClearSight coating)</p>	<p>Dome Cover WV-CW7CN (Clear type with ClearSight coating)</p>				

•Brackets are available in four colors, Fine silver, Light gray, Gray and i-PRO white. It is possible to use them in different color combinations.

Important

- Safety Precaution : Carefully read the Basic Information, Installation Guide and Operating Instructions before using this product.
- Panasonic cannot be responsible for the performance of the network and/or other manufacturers' products used on the network.

Trademarks and registered trademarks

- iPad and iPhone are trademarks of Apple Inc., registered in the U.S. and other countries.
- Android is a trademark of Google LLC.
- ONVIF is trademarks or registered trademarks of Onvif Inc.
- All other trademarks identified herein are the property of their respective owners.

• Masses and dimensions are approximate. • Specifications are subject to change without notice.

Panasonic®

Panasonic Corporation

Panasonic i-PRO Sensing Solutions Co., Ltd.

<https://ipro.panasonic.com>

<https://security.panasonic.com>

<https://www.linkedin.com/company/i-pro-sensing-solutions-co-ltd/>

(2A-258A)