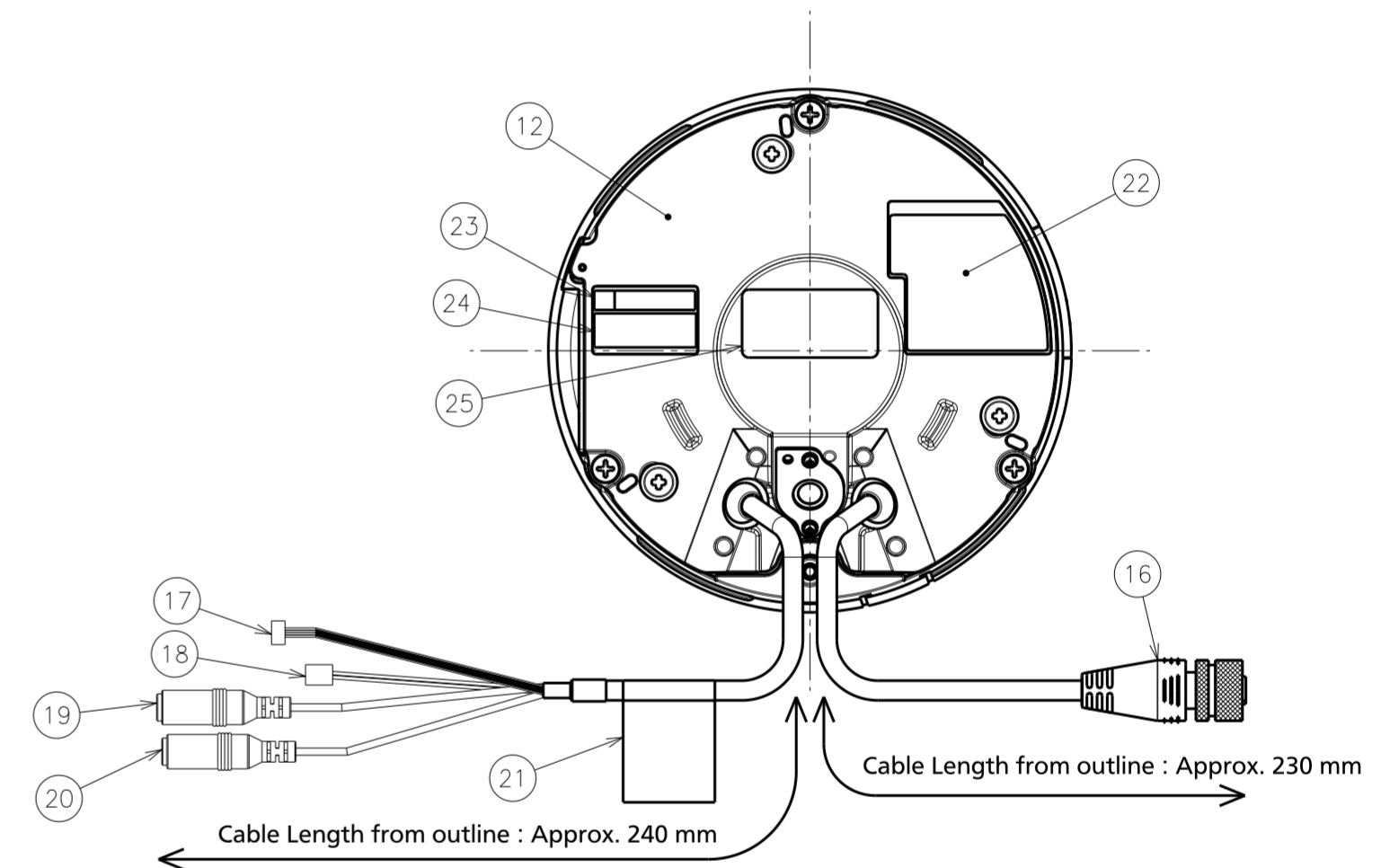
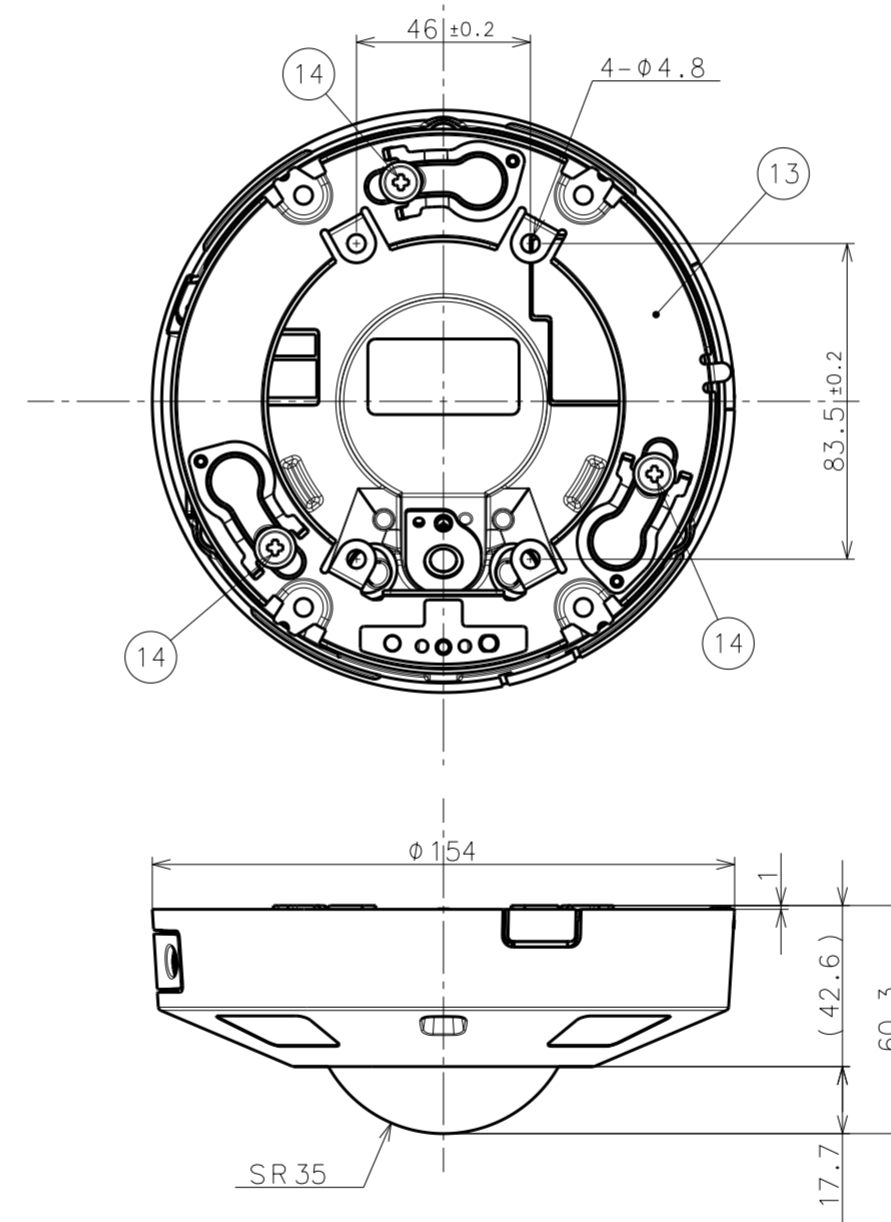
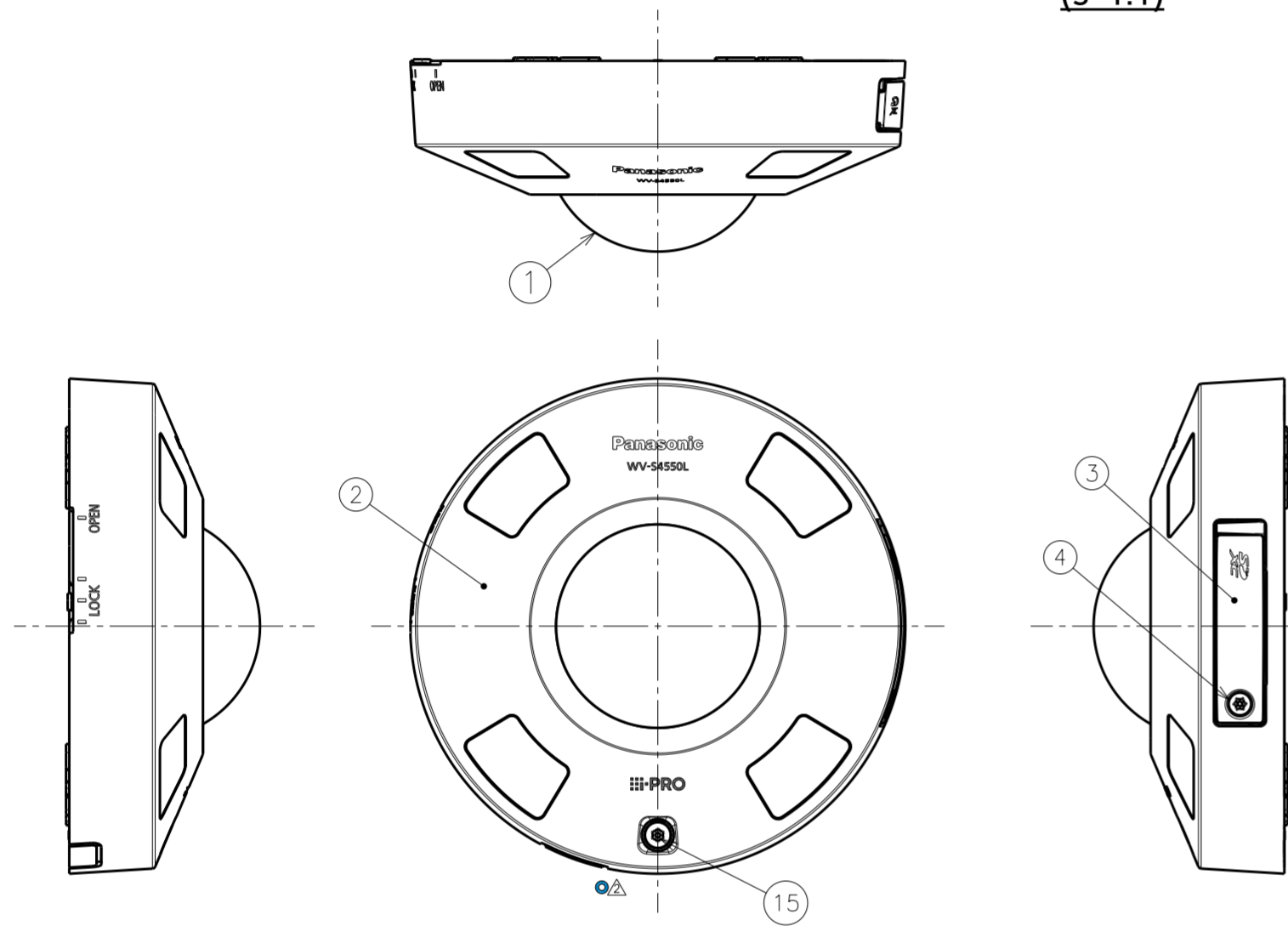
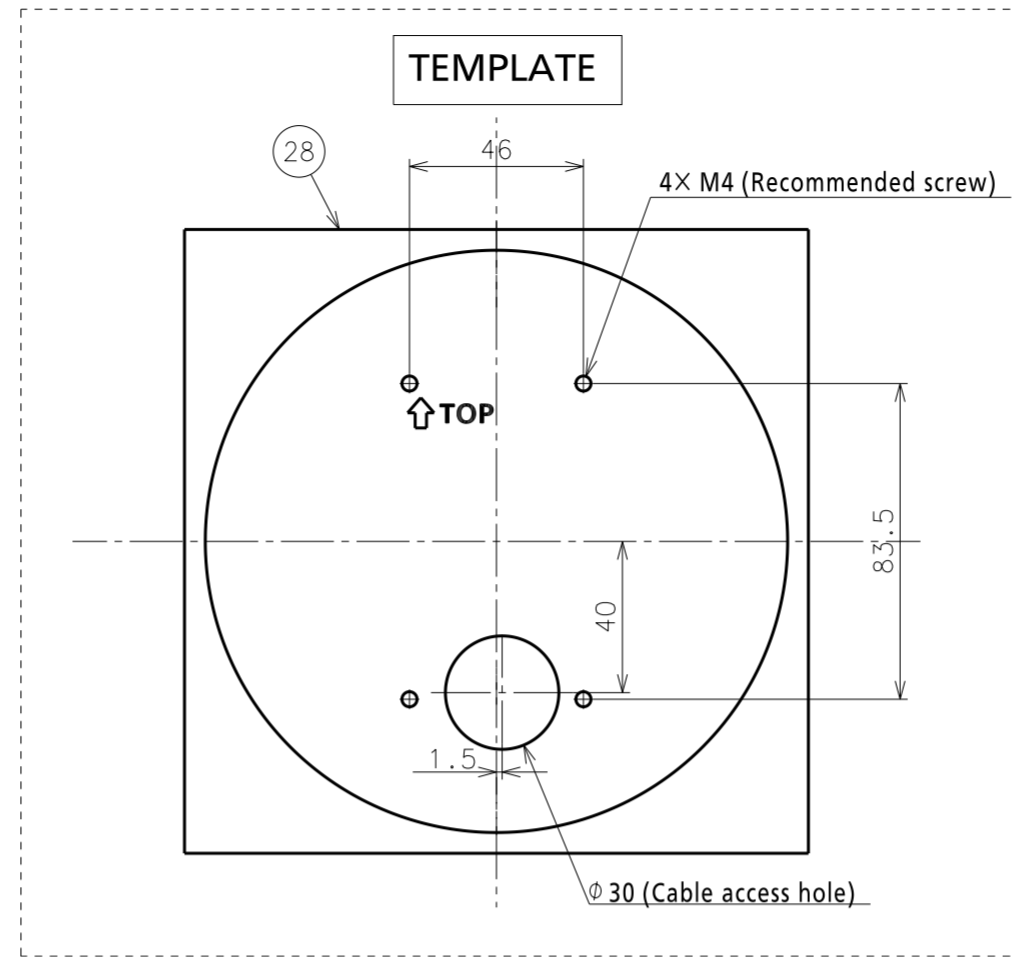


Inside of SD slot cover
(S=1:1)



Without Attachment Plate

28	TEMPLATE	1	-	-	-
27	SD Slot Label	1	Polyester Film	Printing	-
26	VCCI LABEL	1	Polyester Film	Printing	-
25	FCC ICES-3A LABEL	1	Polyester Film	Printing	-
24	CODE LABEL	1	Polyester Film	Printing	-
23	Serial No. Label	1	Polyester Film	Printing	-
22	Name Label	1	Polyester Film	Printing	-
21	Wiring Attention Label	1	Polyester Film	Printing	-
20	Audio Input Cable	1	-	-	-
19	Audio Output Cable	1	-	-	-
18	12V DC Power Supply Terminal	1	-	-	-
17	Alarm I/O Cable	1	-	-	-
16	M12 (female) Network Cable	1	-	-	-
15	Camera Fixing Screw	1	Stainless Steel	-	-
14	Attachment Mount Screw	3	Stainless Steel	-	-
13	Attachment Plate	1	Stainless Steel	-	-
12	Lower Case	1	Aluminium Alloy Diecasting	Painted(Light Gray)	-
11	INITIAL SET button	1	-	-	-
10	Access LED (ACT)	1	-	-	-
9	Link LED (LINK)	1	-	-	-
8	SD ERROR/ABF LED	1	-	-	-
7	SD MOUNT LED	1	-	-	-
6	SD ON/OFF button	1	-	-	-
5	SD CARD Slot	1	-	-	-
4	SD Slot Cover Fixing Screw	1	Stainless Steel	-	-
3	SD Slot Cover	1	Aluminium Alloy Diecasting	Painted(Light Gray)	-
2	Upper Case	1	Aluminium Alloy Diecasting	Painted(Light Gray)&Printing	-
1	Dome Cover	1	PC(Clear)	-	-
No.	Part Name	QTY	MATERIAL & SIZE	TREATMENT	REMARK

投影面積/Projected area	
側面図/Side-view	0.007(m ²)

WV-S4550LMZYS