

## 5MP In-vehicle 360-degree Fisheye Network Camera

Panasonic WV-S4550LM captures the highest quality images in even very challenging and dynamic environments.

In particular, the image of the person's face or object at the edge of the fisheye is clear with less distortion.

Intelligent Auto (iA) monitors scene dynamics and motion to adjust key camera settings automatically in real-time reducing distortion such as motion blur on moving objects. By adopting H.265 Smart Coding technology, bandwidth efficiency is intelligently increased for longer recording and less storage. Cameras out-of-the-box, use an encryption module standardized by FIPS Publication 140-2 for secure video streaming.

### Extreme image quality for evidence capturing under challenging conditions

- Clear and less distorted image of the person's face and objects at the edge of the fisheye
- Instant response to sudden light changes like tunnel entry and exit
- Auto Shutter speed control for fast moving vehicles
- Super Dynamic 108dB for backlit situations and shadows on night streets
- Built-in IR LED to produce a clear monochrome image in zero lux conditions with 10 m (33 feet) irradiation distance
- Environmental durability : EN50155, IP66, IK10, 50J compliant and Dehumidification device

### Extreme bandwidth compression with new Panasonic H.265 Smart Coding

- Longer recording and less storage space compared to any H.264 based compression techniques
- New self-learning ROI\* encoding (Auto VIQS) dynamically detects motion areas to keep vehicles and humans in good picture quality while lowering your bandwidth \* Region of Interest

### Extreme Data Security

- Full encryption SD card edge recording to keep your data safe
- FIPS140-2 CAVP compliant \*Using encryption module standardized by FIPS publication 140-2
- Full end-to-end system encryption with supported VMS and devices to protect from IP snooping/spoofing and detect data alteration

### Complete with powerful analytics built-in

- Heat map : Visualization of people's traffic pattern and staying times
- People Counting : Statistics data on the number of people entering and leaving a specific zone
- MOR (Moving Object Remover) : Monitoring of only the surrounding environment by removing people and other moving objects from video

### Key Features

- 5-megapixel fisheye images up to 30fps
- iA (intelligent Auto)
- Super Dynamic 108dB
- H.265 Smart Coding
- IP66, IK10, 50J compliant, Dehumidification device
- i-VMD License Bundled
- Onvif Profile G / S / T

### Industry examples

- Retail / Bank
- Education / Hospital
- Building
- Transportation (Airport / Train, Subway station)
- Logistics



with Base Bracket

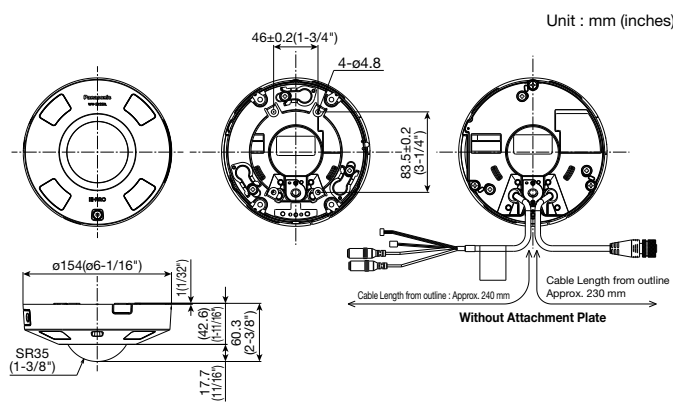
# Specifications

<b>Camera</b>	Image Sensor	Approx. 1/3 type MOS image sensor	
	Minimum Illumination	Color : 0.3 lx, BW : 0.04 lx (F2.4, Maximum shutter : Off (1/30 s), AGC : 11) BW : 0 lx (F2.4, Maximum shutter : Off (1/30 s), AGC : 11, when the IR LED is lit) Color : 0.02 lx, BW : 0.0025 lx (F2.4, Maximum shutter : max. 16/30s, AGC : 11) *1	
	Intelligent Auto	On / Off	
	Maximum shutter	Max.16/30s to Max. 1/10000s	
	Super Dynamic	On / Off, The level can be set in the range of 0 to 31.	
	Dynamic Range	Max.108 dB (Super Dynamic : On, level : 31)	
	Image Settings	Gain (AGC), White balance	
	Image Compensation	Adaptive black stretch, Back light compensation (BLC), Fog compensation, High light compensation (HLC), Digital noise reduction	
	Color/BW (ICR)	Off / On (IR Light Off) / On (IR Light On) / Auto1 (IR Light Off) / Auto2 (IR Light On) / Auto3 (SCC)	
	IR LED Light	High* / Middle / Low / Off *Maximum irradiation distance : 10 m (Approx. 33 ft) (Mounting height : Approx. 3 m, Peripheral intensity control : On)	
	Video Motion Detection (VMD)	On / Off, 4 areas available	
	Intelligent VMD (i-VMD)*2	Type 5 *Bundled License	
	Privacy Zone	On / Off, Up to 8 zones available	
Camera Title (OSD)	On / Off, Up to 20 characters (alphanumeric characters, marks)		
Fixing angle adjustment	-5°, 0°, +5°		
<b>Lens</b>	Zoom Ratio	1x	
	Digital (electronic) zoom	Choose from 3 levels of x1, x2, x4	
	Focal length	0.84 mm {1/32 inches}	
	Maximum Aperture Ratio	1 : 2.4	
	Focus range	0.3 m {11-13/16 inches} - ∞	
<b>Browser GUI</b>	Angular Field of view	Horizontal : 186° Vertical : 186°	
	Camera Control	Brightness, AUX On / Off	
<b>GUI</b>	Audio	Mic (Line) Input : On / Off Volume adjustment : Low / Middle / High Audio Output : On / Off Volume adjustment : Low / Middle / High	
	GUI / Setup Menu Language	English, Italian, French, German, Spanish, Portuguese, Russian, Chinese, Japanese	
<b>Network</b>	Network IF	10Base-T / 100Base-TX, M12 connector	
	Resolution	<Ceiling> <Wall> <b>*Fisheye mode max.30 fps</b> 2192x2192 / 1280x1280 / 640x640 / 320x320 <b>*Quad PTZ mode max.30 fps, Single PTZ mode max.30 fps</b> 1600x1200 / 1280x960 / 800x600 / VGA / QVGA <b>*Double Panorama mode (max. 30 fps)</b> 1920x1080 / 1280x720 / 640x360 / 320x180 <b>*Fisheye + Double Panorama mode (max. 30 fps)</b> (Fisheye) 2192x2192 / 1280x1280 / 640x640 / 320x320 (Double Panorama) 1280x720 / 640x360 / 320x180 <b>*Fisheye + Quad PTZ mode (max. 30 fps)</b> (Fisheye) 2192x2192 / 1280x1280 / 640x640 / 320x320 (Quad PTZ) 1280x960 / 800x600 / VGA / QVGA <b>*Quad streams mode</b> (Single PTZ (Quad streams)) 1280x960 / 800x600 / VGA / QVGA (max. 30 fps) (Quad PTZ) 1600x1200 / 1280x960 / 800x600 / VGA / QVGA (max. 5 fps)	
		<Ceiling> <b>*Panorama mode (max. 30 fps)</b> 1920x1080 / 1280x720 / 640x360 / 320x180 <b>*Fisheye + Panorama mode (max. 30 fps)</b> (Fisheye) 2192x2192 / 1280x1280 / 640x640 / 320x320 (Panorama) 1280x720 / 640x360 / 320x180	
		<Wall> <b>*Panorama mode (max. 30 fps)</b> 1920x1080 / 1280x720 / 640x360 / 320x180 <b>*Fisheye + Panorama mode (max. 30 fps)</b> (Fisheye) 2192x2192 / 1280x1280 / 640x640 / 320x320 (Panorama) 1280x720 / 640x360 / 320x180	
	H.265/	Transmission Mode	Constant bit rate / VBR / Frame rate / Best effort
	H.264 <sup>3)</sup>	Transmission Type	Unicast / Multicast
	JPEG	Image Quality	10 steps

<b>Network</b>	Smart Coding	<b>GOP (Group of pictures) control :</b> On (Frame rate control) / On (Advanced) / On (Mid) / On (Low) / Off *On (Frame rate control) and On (Advanced) are only available with H.265. <b>Auto IQS :</b> On / Off	
	Audio Compression	G.726 (ADPCM) : 16 kbps / 32 kbps, G.711: 64 kbps, AAC-LC <sup>4)</sup> : 64 kbps / 96 kbps / 128 kbps	
	Supported Protocol	IPv6 : TCP/IP, UDP/IP, HTTP, HTTPS, FTP, SMTP, DNS, NTP, SNMP, DHCPv6, RTP, MLD, ICMP, ARP, IEEE 802.1X, DiffServ IPv4 : TCP/IP, UDP/IP, HTTP, HTTPS, RTSP, RTP, RTP/RTCP, FTP, SMTP, DHCP, DNS, DDNS, NTP, SNMP, UPnP, IGMP, ICMP, ARP, IEEE 802.1X, DiffServ	
	Maximum concurrent access number	Up to 14 users (Depends on network conditions)	
	SDXC/SDHC/SD	H.265 / H.264 recording : Manual REC / Alarm REC (Pre/Post) / Schedule REC / Backup upon network failure JPEG recording : Manual REC / Alarm REC (Pre/Post) / Backup upon network failure Compatible SDXC/SDHC/SD card : Panasonic 2 GB, 4 GB*, 8 GB*, 16 GB*, 32 GB*, 64 GB**, 128 GB**, 256 GB** model *SDHC card, ** SDXC card (except miniSD card and microSD card)	
	Memory Card (Option)		
	Mobile Terminal Compatibility	iPad, iPhone (iOS 4.2.1 or later), Android™ terminals	
	ONVIF Profile	G / S / T	
	<b>Alarm</b>	Alarm Source	3 terminals input, VMD, Command alarm
		Alarm Actions	SDXC/SDHC/SD memory recording, E-mail notification, HTTP alarm notification Indication on browser, FTP image transfer, Panasonic alarm protocol output
<b>Input/Output</b>	Audio Input	ø3.5 mm stereo mini jack, Recommended applicable microphone : Plug-in power type (Sensitivity of microphone : -48 dB ±3 dB (0 dB=1 V / Pa, 1 kHz)) Input impedance : Approx. 2 kΩ (unbalanced) Supply voltage : 2.5 V ±0.5 V ø3.5 mm stereo mini jack (monaural output) Output impedance : Approx. 600 Ω (unbalanced) Output level : -20 dBV	
	Audio Output <sup>5)</sup>		
<b>External I/O Terminals</b>	ALARM IN 1 (Black & white input, Auto time adjustment) (x1), ALARM IN 2 (ALARM OUT) (x1), ALARM IN 3 (AUX OUT) (x1)		
<b>General</b>	Safety	UL (UL60950-1), c-UL (CSA C22.2 No.60950-1), CE, IEC60950-1	
	EMC	FCC (Part15 ClassA), ICES003 ClassA, EN55032 ClassB, EN55024 ECE-R10, EN50498 compliant, EN50121	
	Power Source and Power Consumption	DC power supply : DC12 V 910 mA, Approx. 10.9 W PoE (IEEE802.3af compliant) Device : DC48 V 240 mA, Approx. 11.5 W (Class 0 device)	
	Ambient Operating Temperature	IR LED : On -40 °C to +50 °C (-40 °F to 122 °F) IR LED : Off -40 °C to +60 °C (-40 °F to 140 °F)	
	Ambient Operating Humidity	10% to 100 % (no condensation)	
	Dehumidification Device	Rosahl element	
	Water and Dust Resistance	IP66(IEC60529), Type 4X(UL50), NEMA 4X compliant	
	Shock Resistance	50J (IEC 60068-2-75 compliant), IK10 (IEC 62262)	
	Railway Application	EN45545 compliant, EN50155-TX	
	Dimensions	<b>When using the attachment plate :</b> ø154 mm × 60.3 mm (H) (ø6-1/16 inches × 2-3/8 inches (H)) Dome radius 35 mm {1-3/8 inches}	
Mass (approx.)	<b>When using the attachment plate :</b> Approx. 870 g {1.92 lbs}		
Finish	<b>Main body :</b> Aluminum die cast, Light gray <b>Outer fixing screws :</b> Stainless steel <b>Dome section :</b> Polycarbonate resin, Clear		

\*1 Converted value  
\*2 Auto IQS, i-VMD, can not be used at the same time.  
\*3 Transmission for 2 streams can be individually set.  
\*4 When recording audio on an SD memory card, only use AAC-LC (Advanced Audio Coding - Low Complexity).  
\*5 The audio output can be switched to the monitor output. Refer to the Operating Instructions on the provided CD-ROM for descriptions of how to switch the output. (factory shipment : NTSC monitor)

# Appearance



# Bundled License

**Plug-in Software for i-VMD**

i-VMD is possible to detect objects in the specified area by advanced video analysis technology.

i-VMD : People Counting, Heat-map, MOR (Moving Object Remover), Intruder Detection, Loitering Detection, Cross line Detection, Object Detection, Scene change Detection

Notification sent to the monitoring screen

**Important**

- Safety Precautions : Carefully read the Basic Information, Installation Guide and Operating Instructions before using this product.
- Panasonic i-PRO Sensing Solutions Co., Ltd. cannot be held responsible for the performance of the network and/or other manufacturers' products used on the network.

**Trademarks and registered trademarks**

- iPad and iPhone are trademarks of Apple Inc., registered in the U.S. and other countries.
- Android is a trademark of Google LLC.
- ONVIF is trademarks or registered trademarks of Onvif Inc.
- All other trademarks identified herein are the property of their respective owners.

• Masses and dimensions are approximate. • Specifications are subject to change without notice.



Panasonic i-PRO Sensing Solutions Co., Ltd.

<https://ipro.panasonic.com>  
<https://security.panasonic.com>  
<https://www.linkedin.com/company/i-pro-sensing-solutions-co-ltd/>  
 (2A-230AL)