

# Panasonic

Wireless presentation system  
Slot option Board (Receiver)

## TY-SB01WP



### Set content

Product name	TY-SB01WP
Number	1
Carton dimensions	W280 x H50 x D100 mm (W11.1" x H1.97" x D3.94")
Gross weight	390 g / 0.86 lbs
Accessories	Operating manual

### Receiver

#### ● PRODUCT SPECIFICATION

(design and specification subject to change without notice)

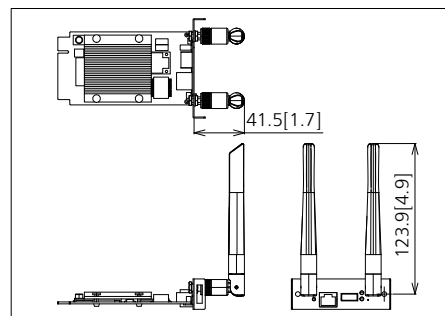
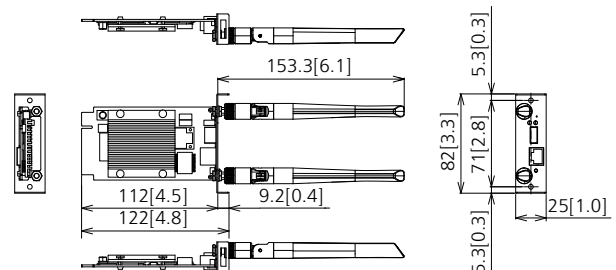
SPECIFICATION	
Maximum output resolution / Frame rate	1920 x 1080/60p (max), 3840 x 2160/30p (max.)
Transmitter simultaneous connections	32
Simultaneous display sources	4
Data rate (Wired)	10/100/1000 (Mbps)
Data rate (Wireless)	Max.433 Mbps
Frequency band	5 GHz band 5,150 MHz - 5,250 MHz 36 40 44 48 Channel
Wireless standards	IEEE802.11a/n/ac
Security	WPA/WPA2
LED	White: Power Input LAN Connection WiFi Connection USB Connection
Reach (Max distance between transmitter and receiver)	30 m (When the line of sight/wave conditions are good)
Connection terminal	HDMI/USB-A (female)/RJ45 (LAN)
ELECTRICAL	
Power requirements	12 V/0.9 A (Display Power supply)
Power consumption (During image display)	10 W
MECHANICAL	
Dimension	W82 x H25 x D122 mm (W3.22" x H0.99" x D4.78") (Excluding antenna)
Weight	approx. 125 g / 0.3 lbs
Color	Black
Material	Metal
ENVIRONMENTAL	
Operating environment	Temperature: 0 °C to 55 °C (32 °F to 131 °F) Humidity: 20% to 80% (No condensation)
Storage environment	Temperature: -20 °C to 60 °C (-4 °F to 140 °F) Humidity: 20% to 80% (No condensation)
MAIN FEATURE	
HDMI-CEC	Yes
AUTHENTICATION	
	CE, FCC, MIC

#### ● LIST OF CORRESPONDENCE SIGNALS

Output signal type	
4096x2160@24Hz	1920x1080@50Hz
3840x2160@30Hz	1920x1080@24Hz
3840x2160@25Hz	1280x720@60Hz
3840x2160@24Hz	1280x720@50Hz
1920x1080@60Hz	

#### ● DIMENSIONS

Units : mm [inch]



#### ● CONNECTION TERMINAL

