

New U-series compact network camera with enhanced functions and affordability

Full HD Outdoor Dome Network Camera

The new U series is an entry model that achieves high quality and reliability at an affordable price to meet the needs of a wide range of customers. The compact and slim design allows it to be installed in a various locations.

It newly supports ONVIF G / S / T profile and H.265 / H.264, and can be widely used for connecting various VMS and recorders. It also comes pre-installed with secure certificates, enabling device authentication and end-to-end communication encryption to counter the threat of advanced cyberattacks.

Key features

- Compact and slim design allows installation in various locations
- Compliant with ONVIF G / S / T profile and H.265 / H.264, and can support a wide range of connections to VMS and recorders
- Uses "Easy Kitting Packing" that allows you to set the camera without removing it from the box
- Strengthen cyber security by pre-installing digital certificates issued by a third party organization (GlobalSign)

Key i-PRO Spec.

- Full HD 1080p up to 30fps
- iA (intelligent Auto)
- Super Dynamic 120dB
- Color night vision (0.006 to 0.1 lx)
- H.265 Smart Coding
- Corridor mode
(90 degrees or 270 degrees in image rotation)
- Built-in IR LED
- ONVIF Profile G / S / T

Industry examples

- Safe Cities
- Transportation (Airport / Train, Subway station)
- Bank (ATM, Entrance)
- Retail / Logistics / Education / Hospital / Building



•••PRO

Specifications

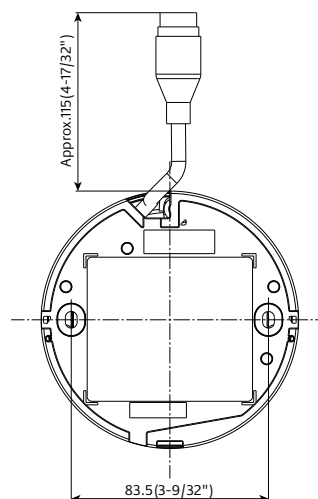
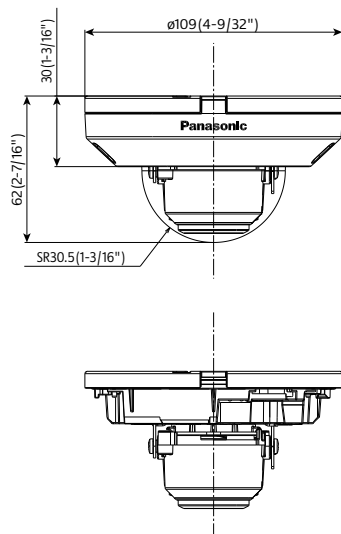
Camera	Image Sensor	Approx. 1/3 type CMOS image sensor																				
	Minimum Illumination	Color : 0.1 lx, BW: 0.04 lx (50IRE, F2.0, Maximum shutter: Off (1/30s), AGC: 11) BW : 0 lx (50IRE, F2.0, Maximum shutter: Off (1/30 s), AGC: 11, when the IR LED is lit) Color : 0.006 lx, BW: 0.0025 lx (50IRE, F2.0, Maximum shutter: max. 16/30s, AGC: 11) *1																				
	White Balance	ATW1/ ATW2/ AWC																				
	Maximum shutter	[30fps mode] Max. 1/10000 s to Max. 16/30 s [25fps mode] Max. 1/10000 s to Max. 16/25 s																				
	Intelligent Auto	On / Off																				
	Super Dynamic	On / Off, The level can be set in the range of 0 to 31.																				
	Dynamic Range	Max. 120 dB (Super Dynamic: On, Level: 31)																				
	Adaptive Black Stretch	The level can be set in the range of 0 to 255.																				
	Back light compensation / High light compensation	BLC (Back light compensation) / HLC (High light compensation) / Off The level can be set in the range of 0 to 31.																				
	Fog compensation	On / Off, The level can be set in the range of 0 to 8. (only when Intelligent auto / auto contrast adjust: Off)																				
	Maximum gain (AGC)	The level can be set in the range of 0 to 11.																				
	Color/BW (ICR)	Off/ On (IR Light Off) / On (IR Light On) / Auto1 (IR Light Off) / Auto2 (IR Light On) / Auto3 (SCC)																				
	IR LED Light	High/ Middle/ Low/ Off Maximum irradiation distance: 30 m (Approx. 100 ft)																				
	Digital Noise Reduction	The level can be set in the range of 0 to 255.																				
	Video Motion Detection (VMD)	On / Off, 4 areas available																				
	Scene Change Detection (SCD)	On / Off, 1 area available																				
	Privacy Zone	On / Off, Up to 8 zones available																				
	VIQS	On / Off, Up to 8 zones available																				
	Image rotation *2	0° (Off) / 90° / 180° (Upside-down) / 270°																				
	Camera Title (OSD)	On / Off, Up to 20 characters (alphanumeric characters, marks)																				
Lens	Focal length	3.2 mm {1/8 inches}																				
	Optical zoom	1x																				
	Extra zoom	1.0x - 1.5x (when resolution is 1280x720)																				
	Digital (electronic) zoom	Choose from 3 levels of x1, x2, x4																				
	Angular Field of View	[16 : 9 mode] Horizontal : 100°, Vertical : 54° [4 : 3 mode] Horizontal : 81°, Vertical : 60°																				
	Maximum Aperture Ratio	1 : 2.0																				
	Focusing Range	1 m {39-3/8 inches} - ∞																				
	DORI	Detect (25ppm / 8ppf)	37.5 m / 122.9 ft																			
		Observe (62.5ppm / 19ppf)	15.0 m / 49.2 ft																			
		Recognize (125ppm / 38ppf)	7.5 m / 24.6 ft																			
Identify (250ppm / 76ppf)		3.7 m / 12.3 ft																				
Adjusting Angle		Horizontal (PAN) angle: -175 °- +175 °, Vertical (TILT) angle: -30 °- +80 ° Azimuth (YAW) angle: ±100°																				
		Brightness																				
Browser GUI	Camera Control																					
	GUI / Setup Menu Language	English, Italian, French, German, Spanish, Portuguese, Russian, Chinese, Japanese																				
Network	Network IF	10Base-T / 100Base-TX, RJ45 connector																				
	Resolution	[16 : 9 mode] 1920x1080, 1280x720, 640x360, 320x180 [4 : 3 mode] 1600x1200, 1280x960, VGA, QVGA																				
	H.265/H.264	Constant bit rate / VBR / Frame rate / Best effort																				
	H.265/H.264	Transmission Mode	Unicast port(AUTO) / Unicast port(MANUAL) / Multicast																			
	H.265/H.264	Transmission Type																				
	Max. frame rate for each stream *3	<table border="1"> <thead> <tr> <th>Stream(1)</th> <th>Stream(2)</th> <th>Stream(3)</th> <th>JPEG(1)</th> <th>JPEG(2)</th> </tr> </thead> <tbody> <tr> <td>1920x1080(30fps)</td> <td>640x360(30fps)</td> <td>Off</td> <td>1920x1080(1fps)</td> <td>1280x720(1fps)</td> </tr> <tr> <td>1280x720(30fps)</td> <td>1280x720(30fps)</td> <td>Off</td> <td>1920x1080(1fps)</td> <td>1280x720(1fps)</td> </tr> <tr> <td>1600x1200(30fps)</td> <td>640x480(30fps)</td> <td>Off</td> <td>1600x1200(1fps)</td> <td>1280x960(1fps)</td> </tr> </tbody> </table>	Stream(1)	Stream(2)	Stream(3)	JPEG(1)	JPEG(2)	1920x1080(30fps)	640x360(30fps)	Off	1920x1080(1fps)	1280x720(1fps)	1280x720(30fps)	1280x720(30fps)	Off	1920x1080(1fps)	1280x720(1fps)	1600x1200(30fps)	640x480(30fps)	Off	1600x1200(1fps)	1280x960(1fps)
Stream(1)	Stream(2)	Stream(3)	JPEG(1)	JPEG(2)																		
1920x1080(30fps)	640x360(30fps)	Off	1920x1080(1fps)	1280x720(1fps)																		
1280x720(30fps)	1280x720(30fps)	Off	1920x1080(1fps)	1280x720(1fps)																		
1600x1200(30fps)	640x480(30fps)	Off	1600x1200(1fps)	1280x960(1fps)																		
JPEG	Image Quality	10 steps																				

Network	Smart Coding	GOP(Group of pictures) control: On(Frame rate control) / On(Advanced) / On(Mid.) / On(Low) / Off *Frame rate control and Advanced are only available with H.265. AUTO VIQS: On/ Off	
	Audio Compression	—	
	Audio transmission mode	—	
	Supported Protocol	IPv6 : TCP/IP, UDP/IP, HTTP, HTTPS, SSL/TLS, SMTP, DNS, NTP, SNMPv1/v2/v3, DHCPv6, RTP, MLD, ICMP, ARP, IEEE 802.1X, DiffServ IPv4 : TCP/IP, UDP/IP, HTTP, HTTPS, SSL/TLS, RTSP, RTP, RTCP, SMTP, DHCP, DNS, DDNS, NTP, SNMPv1/v2/v3, UPnP, IGMP, ICMP, ARP, IEEE 802.1X, DiffServ	
	No. of Simultaneous Users	Up to 14 users (Depends on network conditions)	
	SDXC/SDHC/SD Memory Card (Option)	H.265/H.264 recording: Manual REC / Alarm REC (Pre/Post) / Schedule REC Available SDXC/SDHC/SD Memory Card : microSDXC memory card: 64 GB, 128 GB, 256 GB, 512 GB microSDHC memory card: 4 GB, 8 GB, 16 GB, 32 GB microSD memory card: 2 GB	
	Mobile Terminal Compatibility	iPad, iPhone, Android™ terminals	
	ONVIF Profile	G / S / T	
	Alarm	Alarm Source	VMD alarm, SCD alarm, Command alarm
		Alarm Actions	SDXC/SDHC/SD memory recording, E-mail notification, HTTP alarm notification, Indication on browser, Panasonic alarm protocol output
Input/ Output	Monitor Output(for adjustment)	—	
	Audio input	—	
	Audio Output	—	
General	External I/O Terminals	—	
	Safety	UL (UL60950-1), c-UL (CSA C22.2 No.60950-1), CE, IEC60950-1	
	EMC	FCC (Part15 ClassA), ICES003 ClassA, EN55032 ClassB, EN55024	
	Power Source and Power Consumption	PoE (IEEE802.3af compliant) Device: DC48 V 100 mA, Approx. 4.8 W (Class 2 device)	
	Ambient Operating Temperature	-30 °C to +50 °C (-22 °F to +122 °F) {Power On range: -20 °C to +50 °C (-4 °F to +122 °F)}	
	Ambient Operating Humidity	10 to 100 % (no condensation)	
	Anti-Condensation System	Temish element	
	Water and Dust Resistance*4	IP66 (IEC 60529), Type 4X (UL50E), NEMA 4X compliant	
	Shock Resistance	IK10 (IEC 62262)	
	Wind Resistance	Up to 40 m/s {approx. 89 mph}	
	Dimensions	ø109 mm (W) x 62 mm (H) {ø4-9/32 inches x 2-7/16 inches (H)} Dome radius 30.5 mm (1-3/16 inches)	
	Mass (approx.)	270 g (0.60 lbs)	
	Finish	Main body : Aluminum die cast / Polycarbonate resin, i-PRO white Outer fixing screws : Stainless steel (Corrosion-resistant treatment) Dome cover : Polycarbonate resin, Clear	

- *1 Converted value
- *2 When "4:3(30fps mode)" or "4:3(25fps mode)" is selected for "Image capture mode", "90 °" and "270 °" cannot be selected.
- *3 Smart Coding(GOP and AUTO VIQS) is not available when setting 30fps.
- *4 Only when installation work is properly performed according to the Installation Guide and appropriate waterproof treatment is performed.










Appearance



Unit : mm (inches)



Optional Accessories

Mount Bracket / Other

		WALL		POLE	CORNER
		1	2	1	1
combination	Wall Mount Bracket WV-QWL500-W (i-PRO white) 	Base bracket WV-QJB502-W (i-PRO white) 		Pole Mount Bracket WV-QPL500-W (i-PRO white) 	Corner Mount Bracket WV-QCN500-W (i-PRO white) 
	Adapter Box WV-QJB500-W (i-PRO white)  *If needed.			Wall Mount Bracket WV-QWL500-W (i-PRO white) (+ WV-QJB500-W)  + 	Wall Mount Bracket WV-QWL500-W (i-PRO white) (+ WV-QJB500-W)  + 

		HANGING	CEILING
		1	1
combination	Ceiling Mount Bracket WV-QCL100-W ^{*1} (i-PRO white)  *For indoor installation only		Base bracket WV-QJB502-W (i-PRO white) 
		3rd. parties pipe	

*1 : It's possible to be used on the camera side and ceiling side. If used on both side, 2pieces are required.

Dome Cover

Dome Cover (Smoke type)
WV-QDC500S



Trademarks and registered trademarks

- iPad and iPhone are trademarks of Apple Inc., registered in the U.S. and other countries.
- Android is a trademark of Google LLC.
- ONVIF is trademarks or registered trademarks of Onvif Inc.
- All other trademarks identified herein are the property of their respective owners.

Important

- Safety Precautions : Carefully read the Basic Information, Installation Guide and Operating Instructions before using this product.
- Panasonic i-PRO Sensing Solutions Co., Ltd. cannot be held responsible for the performance of the network and/or other manufacturers' products used on the network.

• Masses and dimensions are approximate. • Specifications are subject to change without notice.

Panasonic®

Panasonic Corporation

Panasonic i-PRO Sensing Solutions Co., Ltd.

<https://ipro.panasonic.com>

<https://security.panasonic.com>

<https://www.linkedin.com/company/i-pro-sensing-solutions-co-ltd/>

(2A-296A)