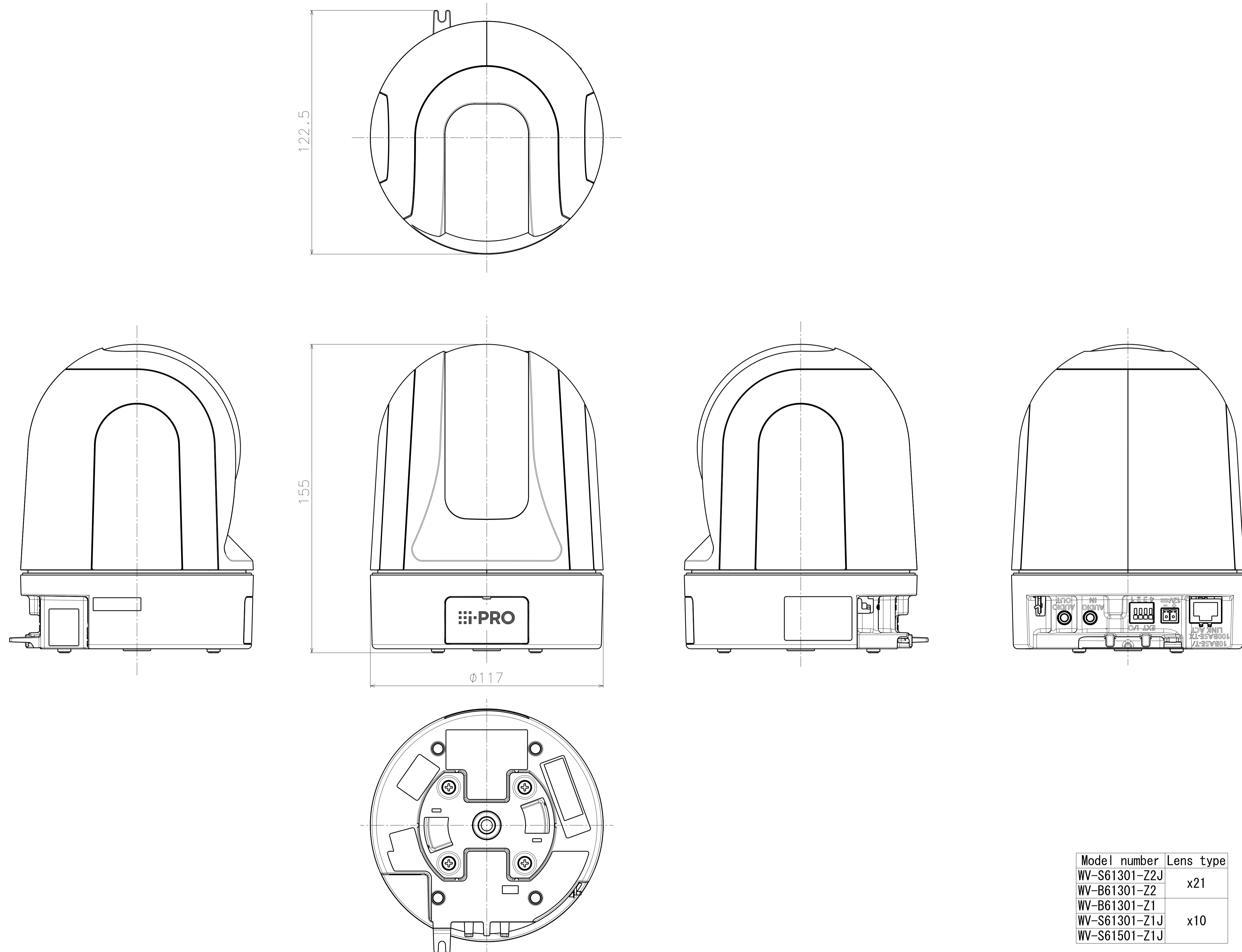


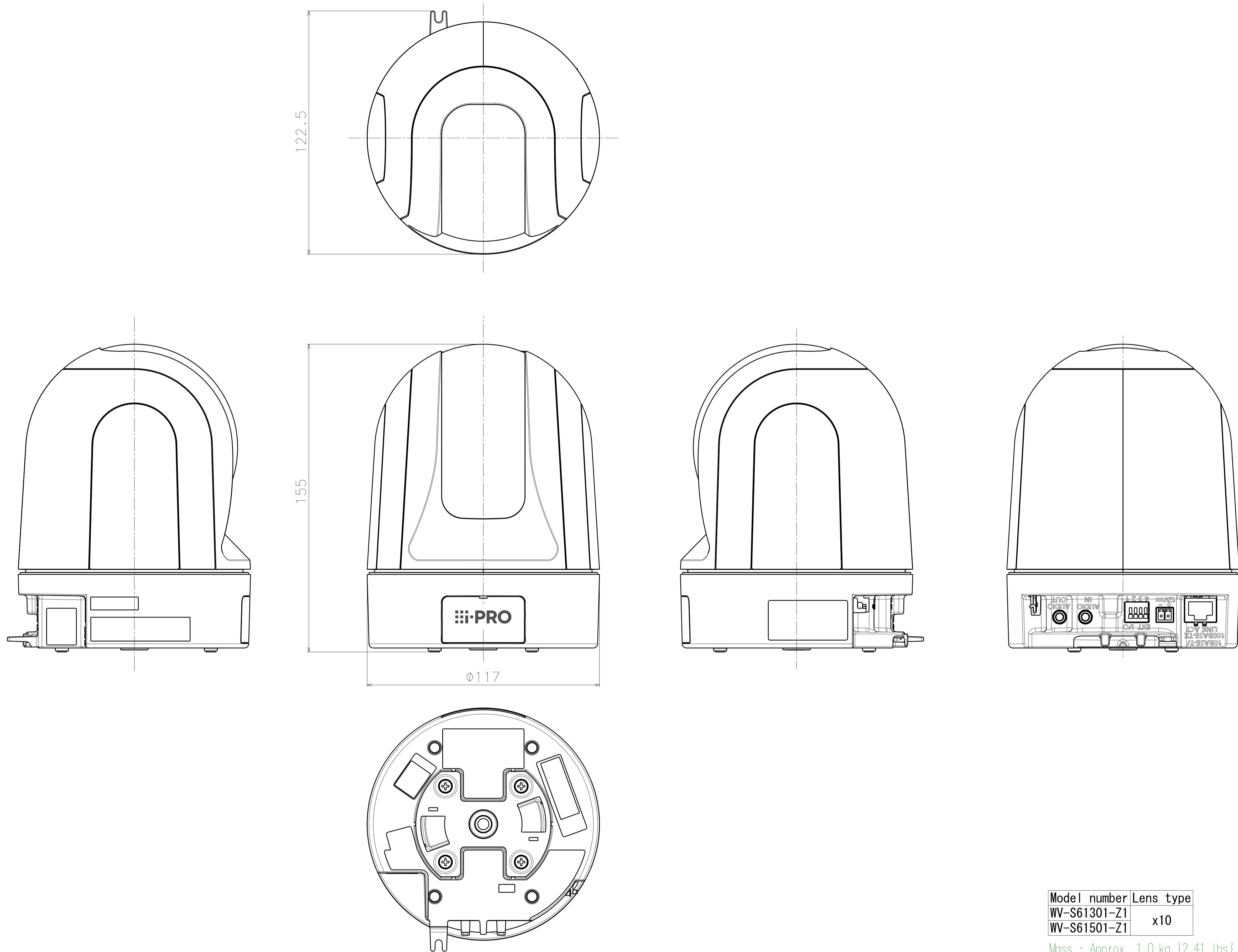
Model number	Lens type
WV-S61301-Z2	x21
WV-U61301-Z2	x21
WV-U61301-Z1	x10

Mass : Approx. 1.0 kg {2.41 lbs}



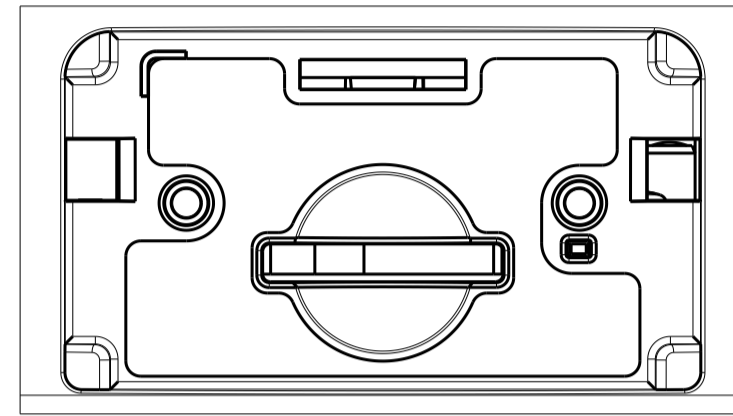
Model number	Lens type
WV-S61301-Z2J	x21
WV-B61301-Z2	
WV-B61301-Z1	x10
WV-S61301-Z1J	
WV-S61501-Z1J	

Mass : Approx. 1.0 kg {2.41 lbs}

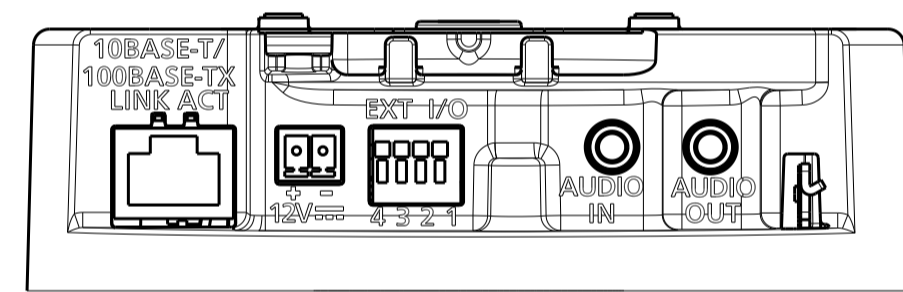


Model number	Lens type
WV-S61301-Z1	x10
WV-S61501-Z1	

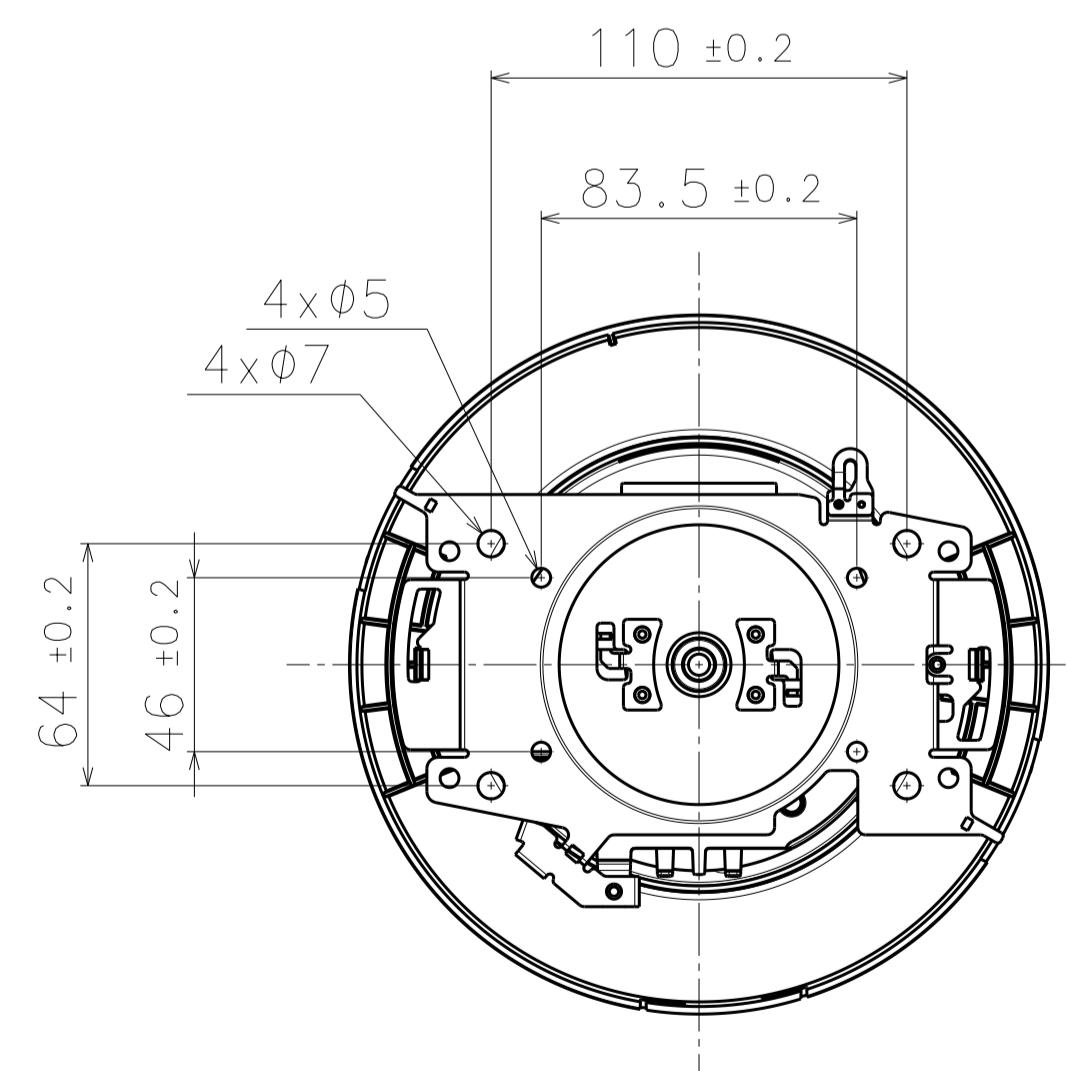
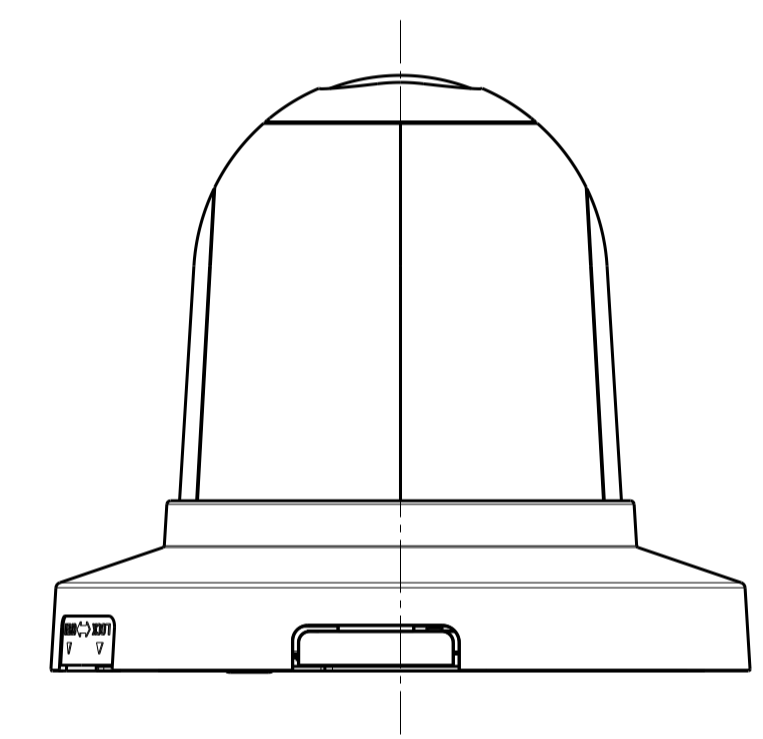
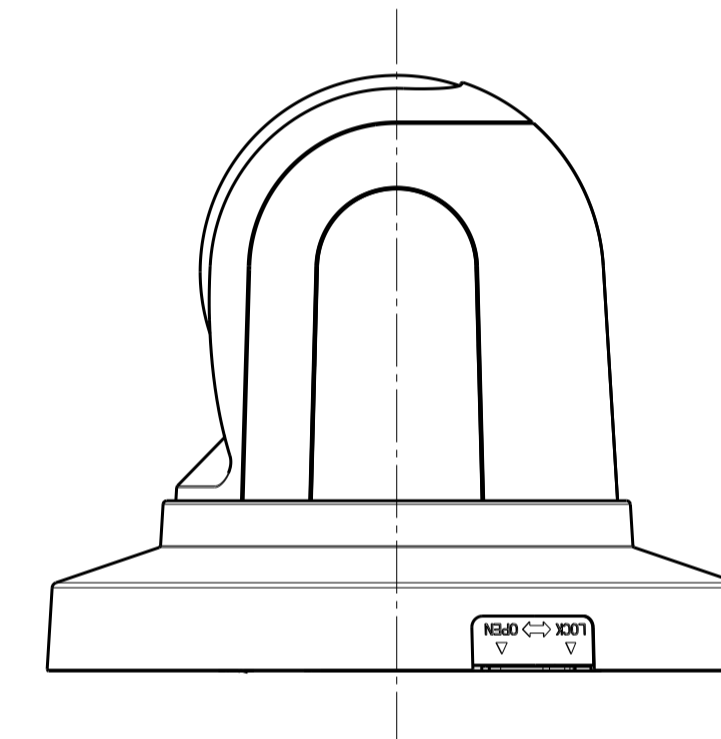
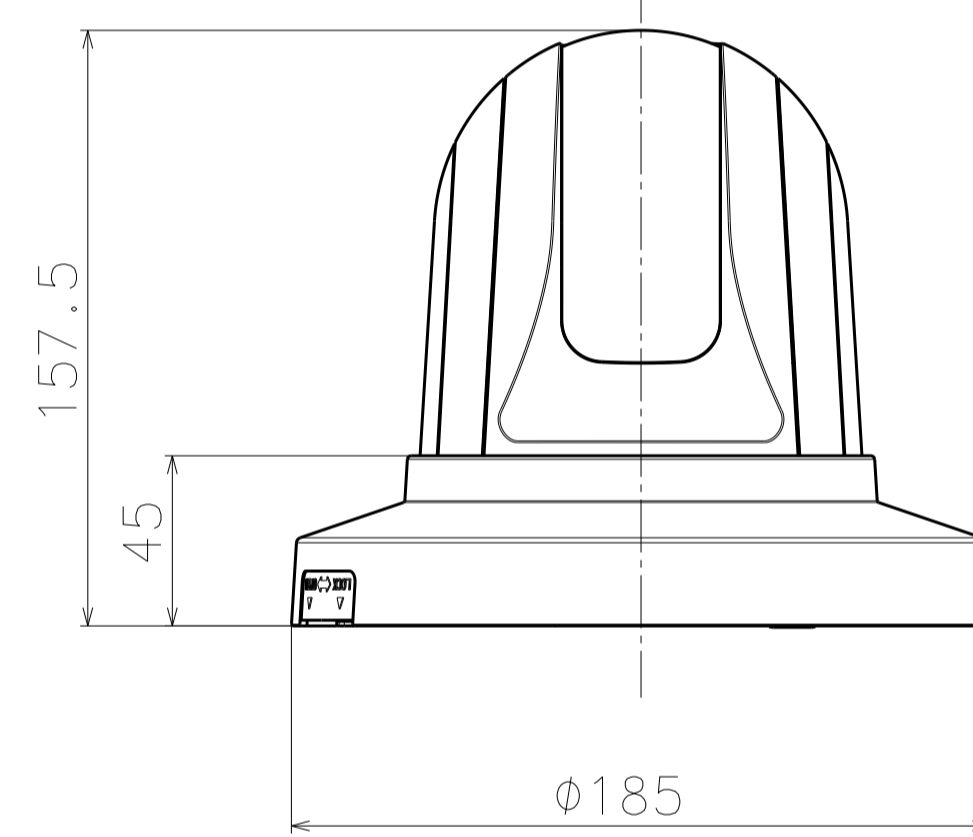
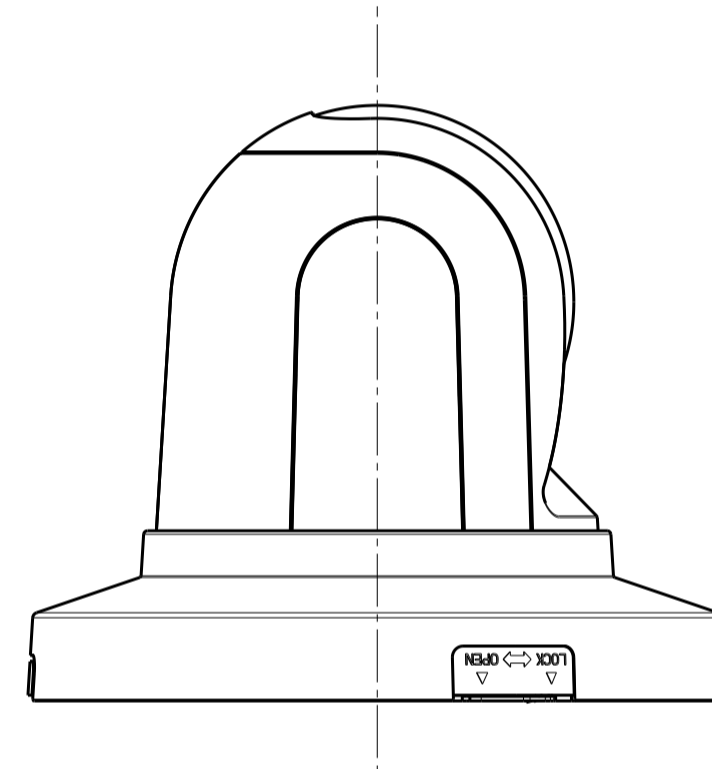
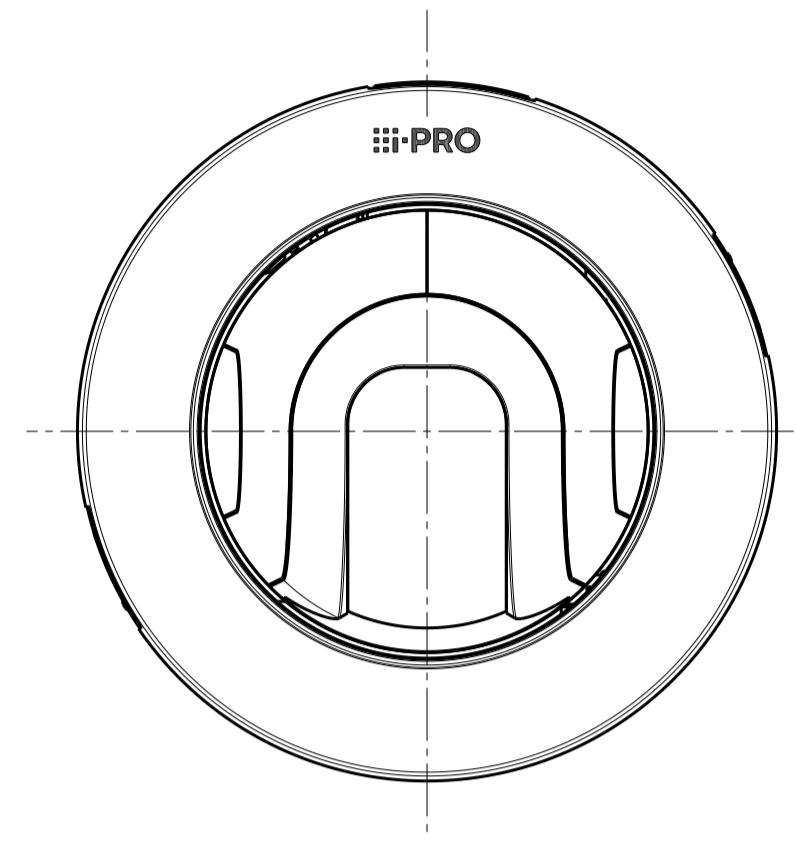
Mass : Approx. 1.0 kg {2.41 lbs}



Inside of SD memory card cover
S=2:1



Rear details
S=1:1

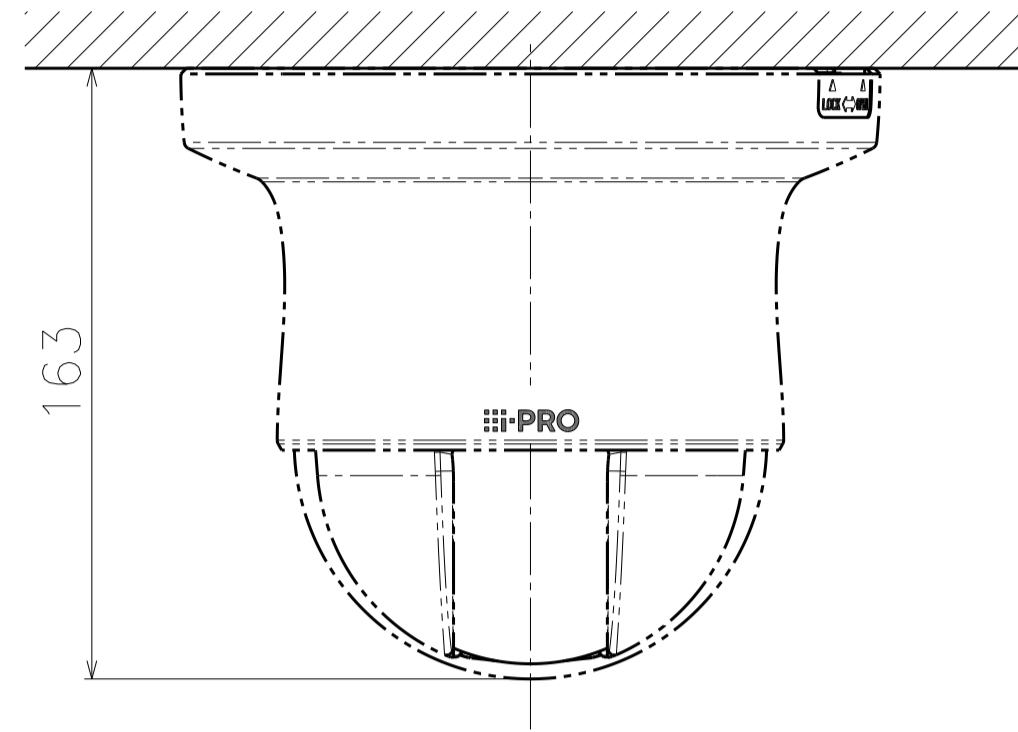


With Decorative cover & Camera mount bracket

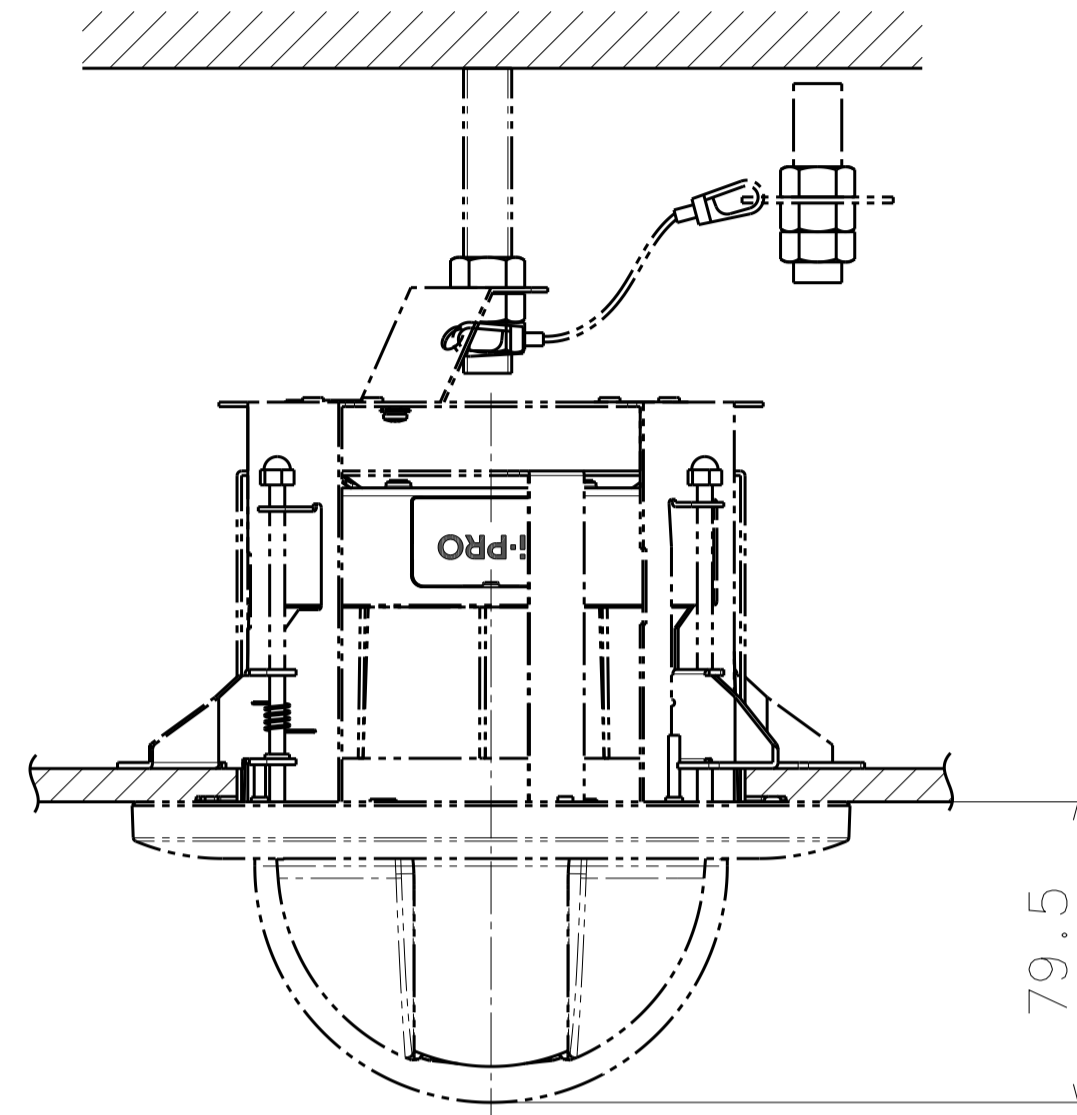
Model number
WV-S61301-Z2
WV-S61301-Z2J
WV-U61301-Z2
WV-U61301-Z1
WV-B61301-Z2
WV-B61301-Z1
WV-S61301-Z1
WV-S61301-Z1J
WV-S61501-Z1
WV-S61501-Z1J

Mass : Approx. 1.2 kg {2.65 lbs}
(Including Decorative cover and Camera mount bracket)

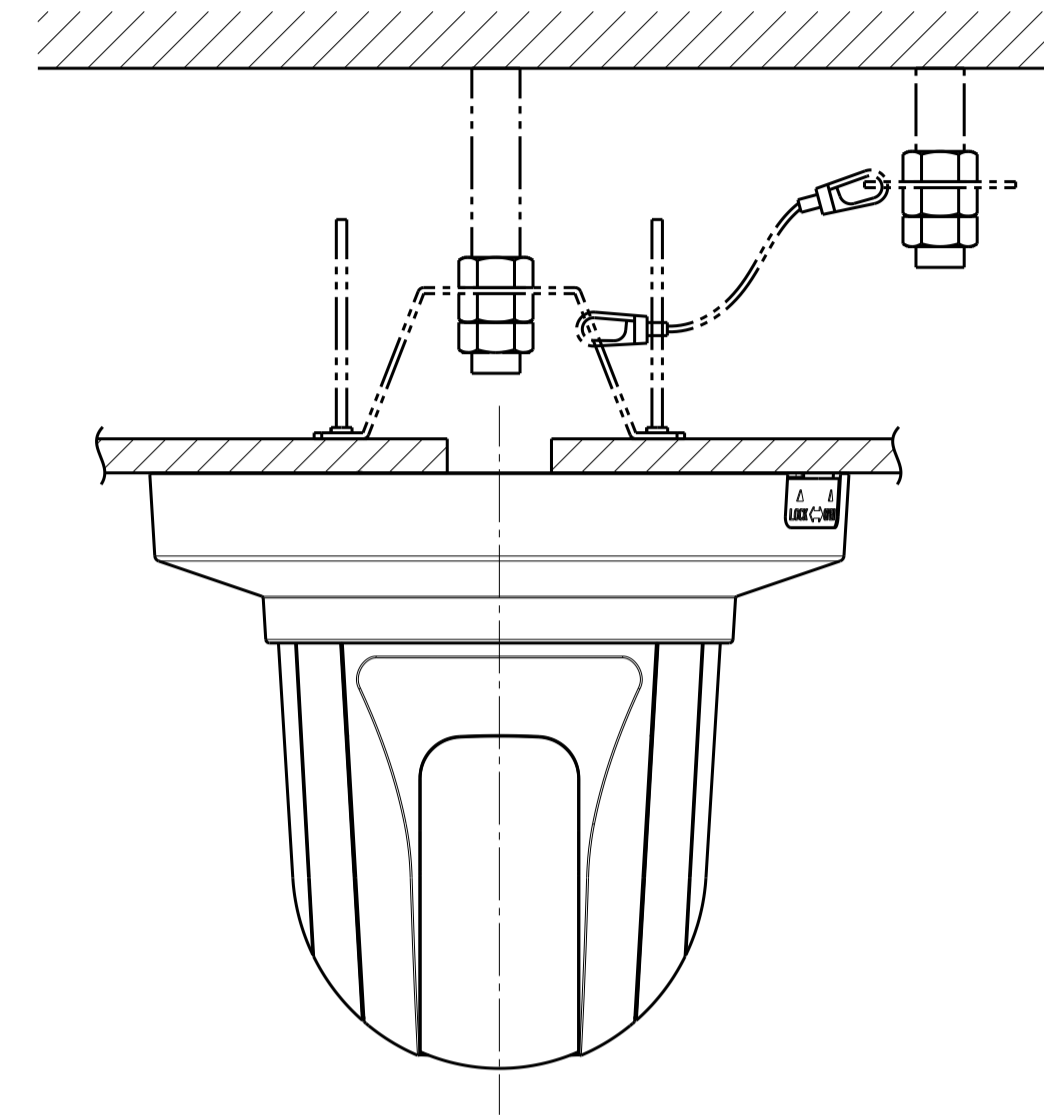
金具との組み合わせ例
Example of combination with bracket



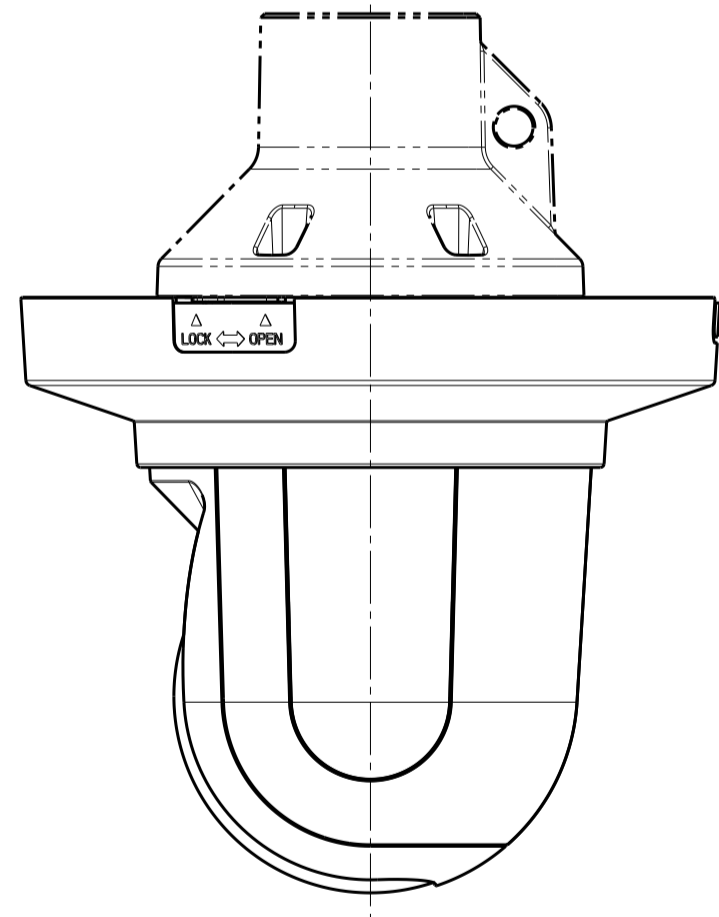
Attach to WV-QCD100**



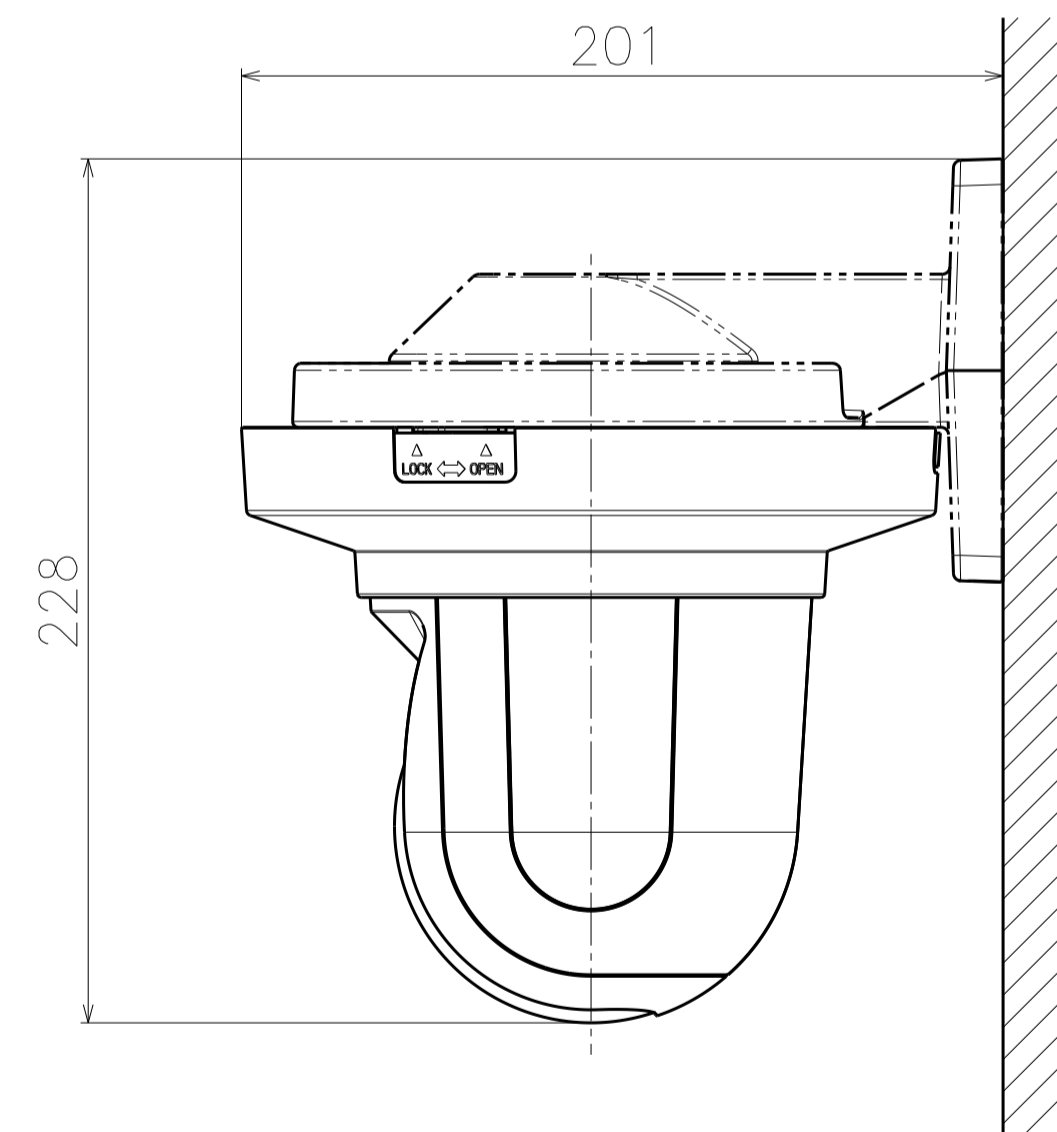
Attach to WV-QED100**



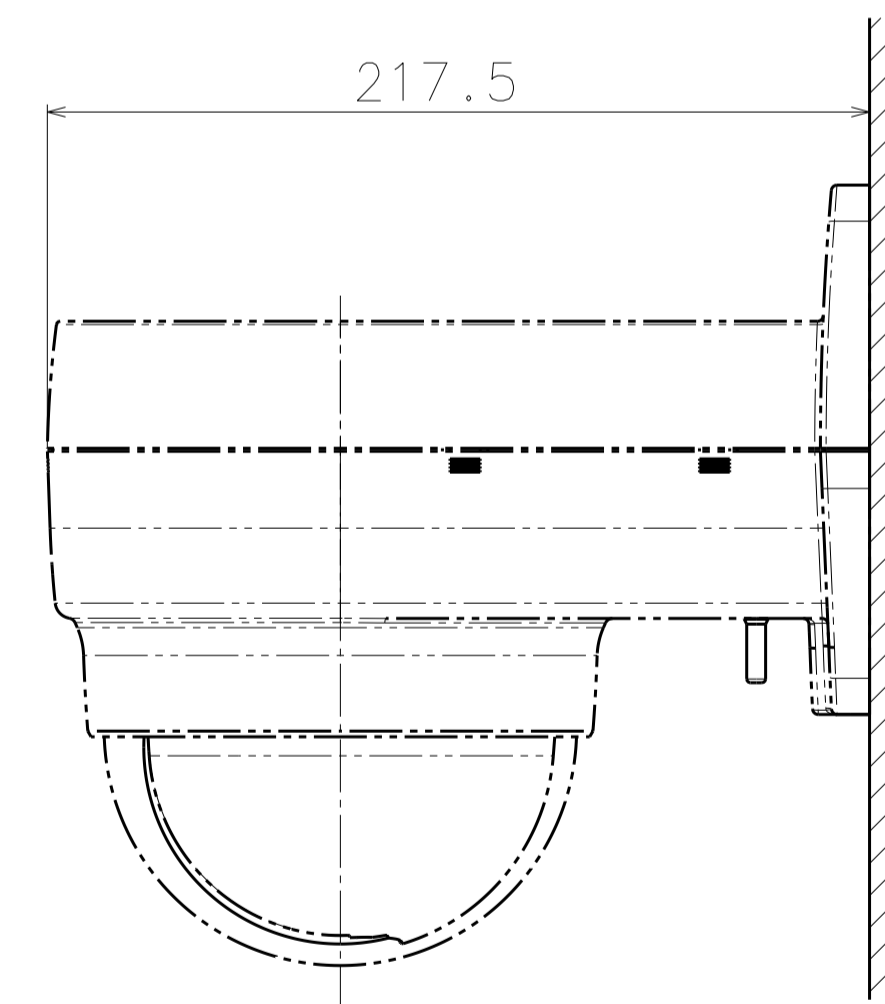
Attach to WV-Q105A**



Attach to WV-QCL100**



Attach to WV-QWL500**



Attach to WV-QWD100**

Model number
WV-S61301-Z2
WV-S61301-Z2J
WV-U61301-Z2
WV-U61301-Z1
WV-B61301-Z2
WV-B61301-Z1
WV-S61301-Z1
WV-S61301-Z1J
WV-S61501-Z1
WV-S61501-Z1J