

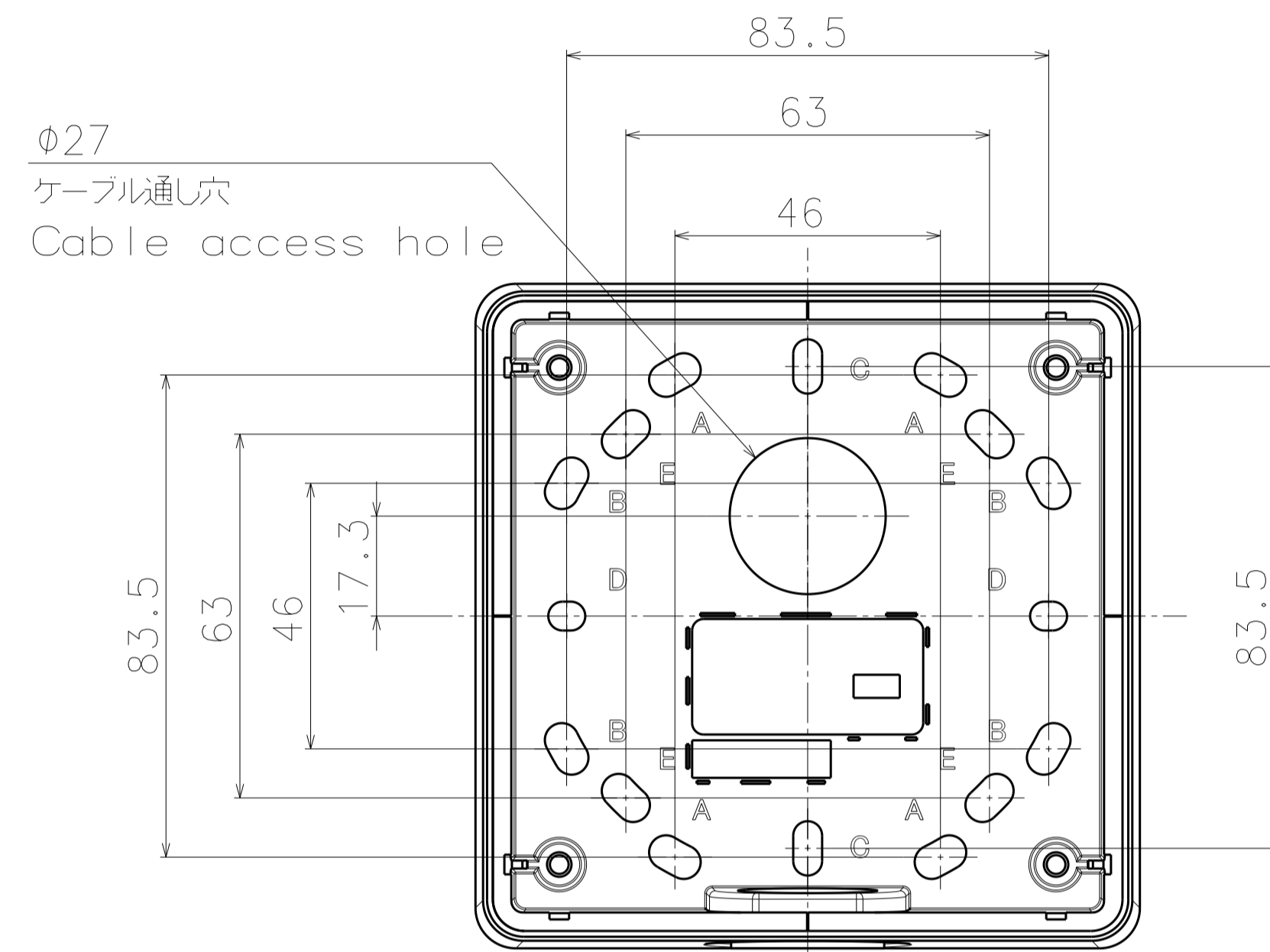
接続管用めねじ
 CTG22 または G3/4
 Female thread for conduit
 NPSM3/4 or G3/4

Model number	Color	Model number label
WV-QJB500-W	i-PRO white	No
WV-QJB500-B	Black	Yes

	投影面積/Projected area
側面図/Side-view	0.005 (m ²)

Mass : Approx. 430 g {0.95 lbs}

カメラとの組み合わせ例
Example of combination with a camera

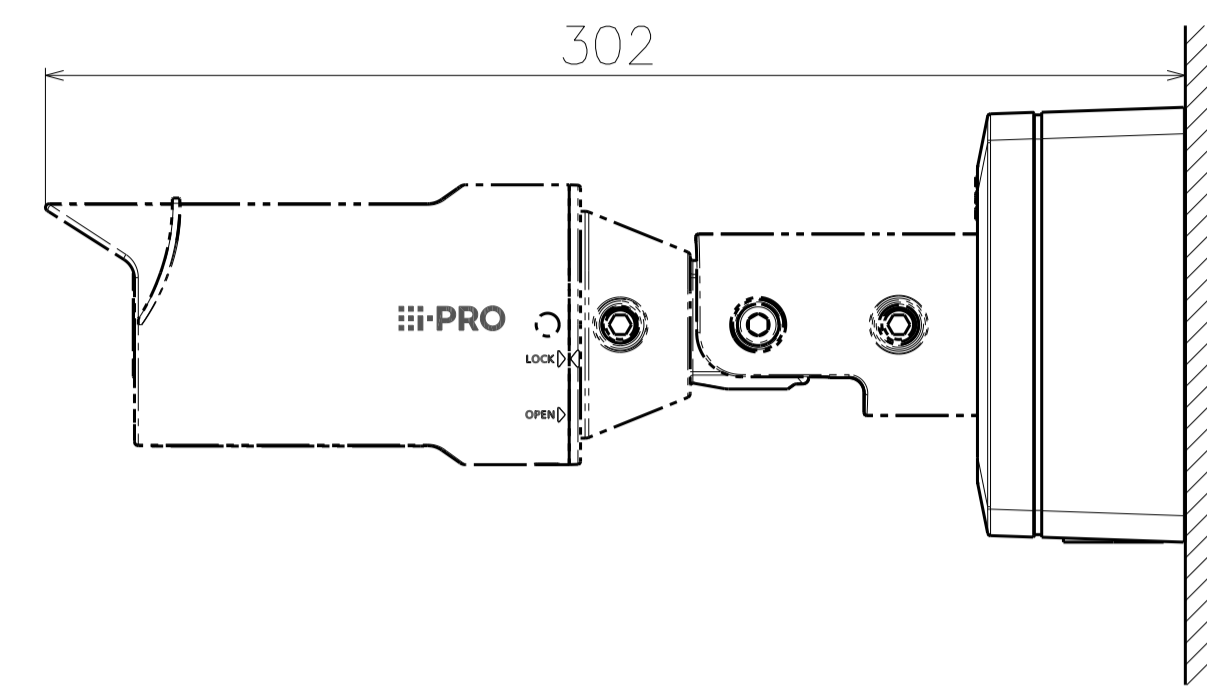


Without Attachment plate

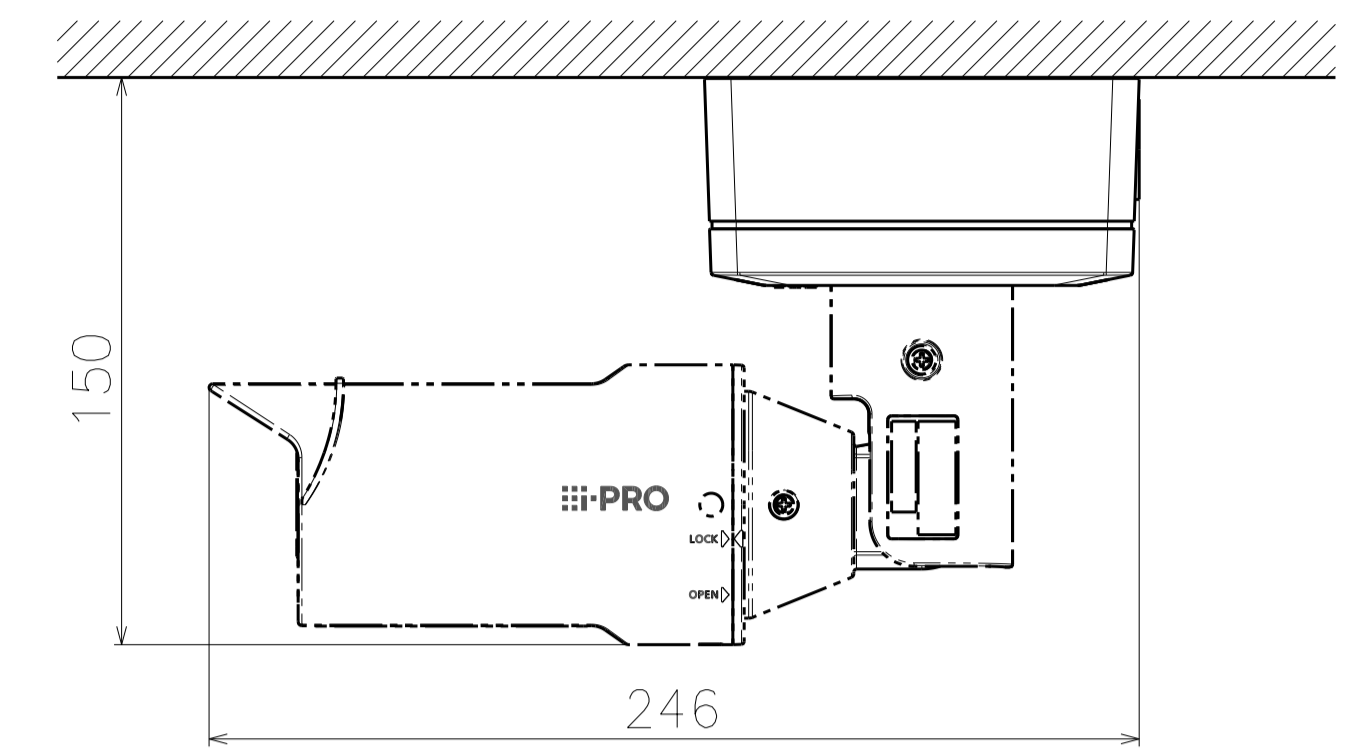
	縦 / Vertical		横 / Horizontal		使用ネジ(個数) / Screw (pcs)
A	83.5 mm	82.5 mm	46 mm	47.6 mm	M4 (4個 / 4 pcs)
B	46 mm	47.6 mm	83.5 mm	82.5 mm	M4 (4個 / 4 pcs)
C	83.5 mm	83.3 mm		-	M4 (4個 / 4 pcs)
D	-		83.5 mm	83.3 mm	M4 (4個 / 4 pcs)
E	63 mm		63 mm		M4 (4個 / 4 pcs)

注) 上表の寸法公差は±0.2 mm / Tolerance ±0.2 mm

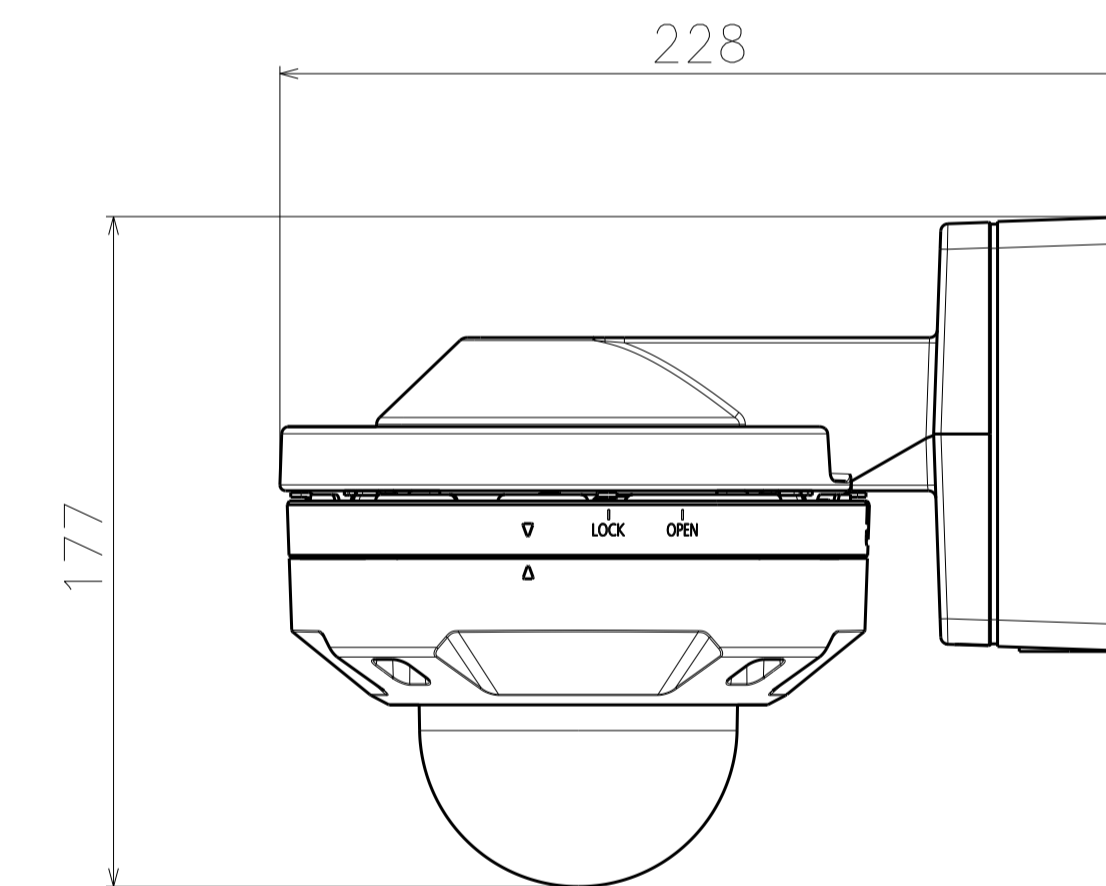
Attach to WV-U1532LAUX



	投影面積/Projected area
正面図/Front view	0.019 (m ²)
平面図/Top-view	0.022 (m ²)

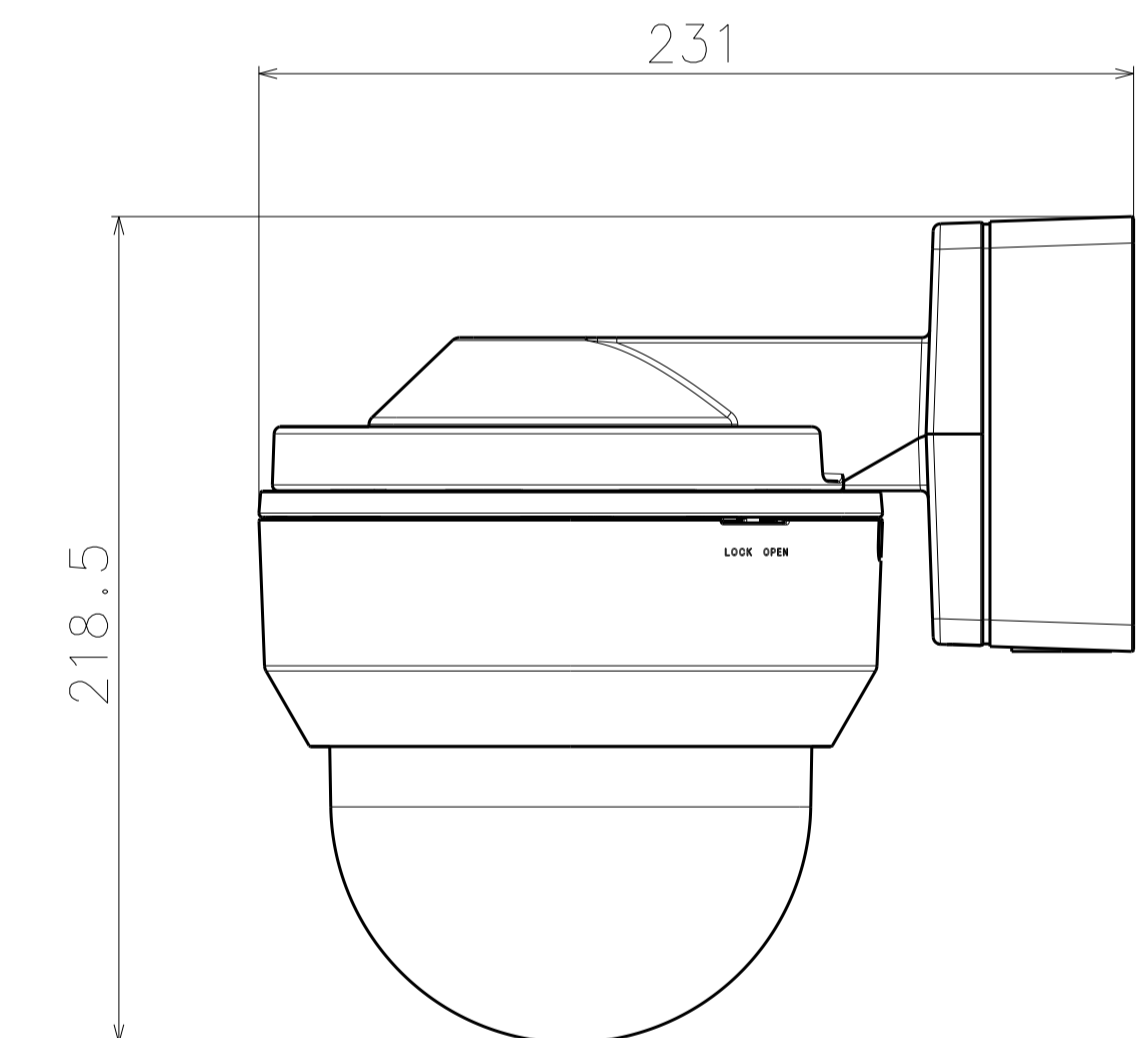


	投影面積/Projected area
正面図/Front view	0.019 (m ²)
側面図/Side-view	0.012 (m ²)



Attach to WV-S25*** & WV-QWL500**

	投影面積/Projected area
側面図/Side-view	0.024 (m ²)



Attach to WV-S65301*** & WV-QWL500**

	投影面積/Projected area
側面図/Side-view	0.032 (m ²)

Model number
WV-QJB500-W
WV-QJB500-B