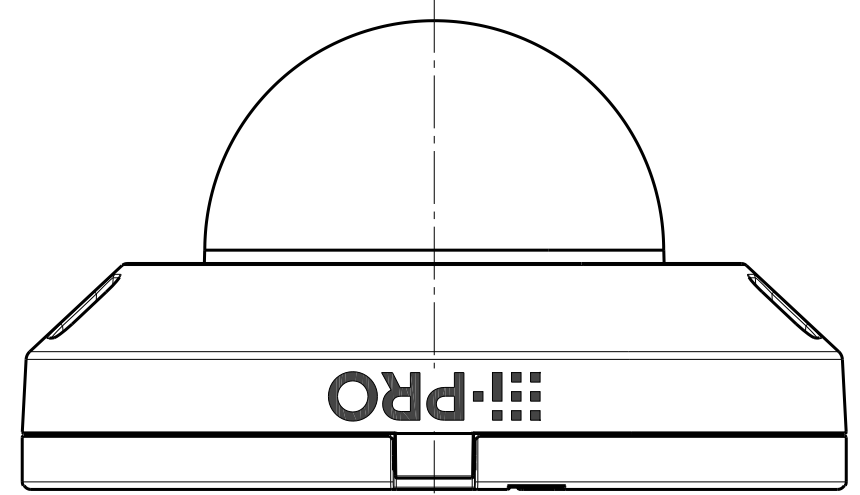


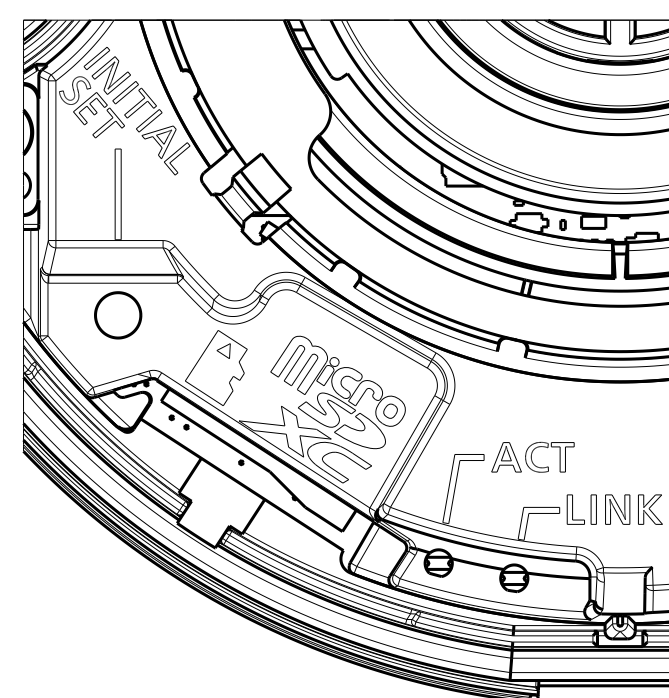
Template for mounting



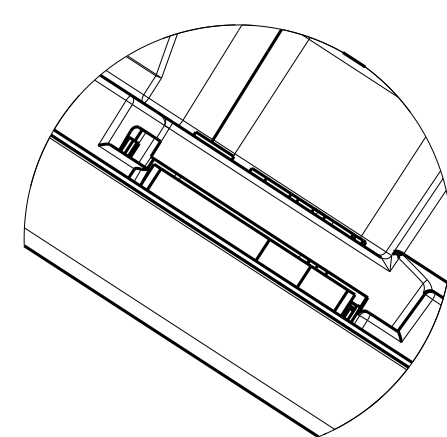
Model number	WV-U2540LA
	WV-U2540LAV

側面図/Side-view	投影面積/Projected area
	0.005 (m ²)

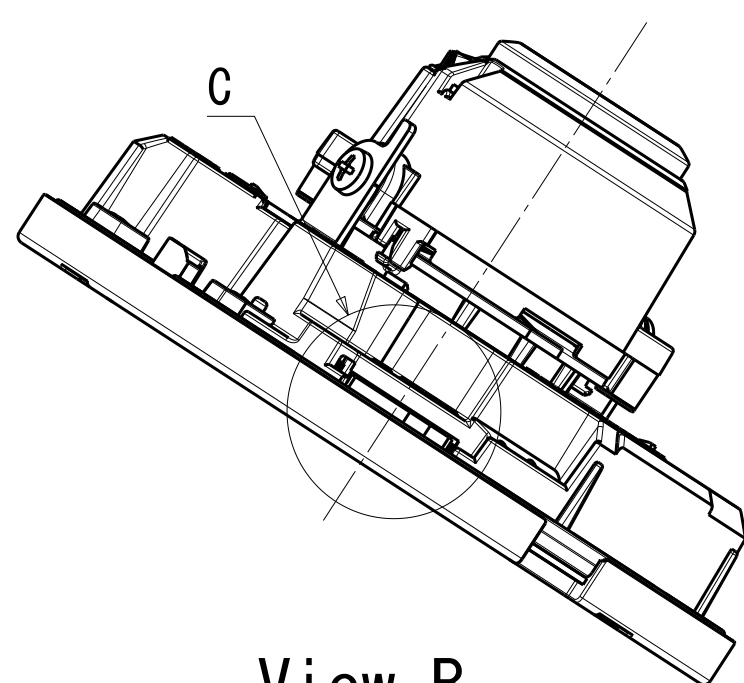
Mass : Approx. 270 g {0.60 lbs}



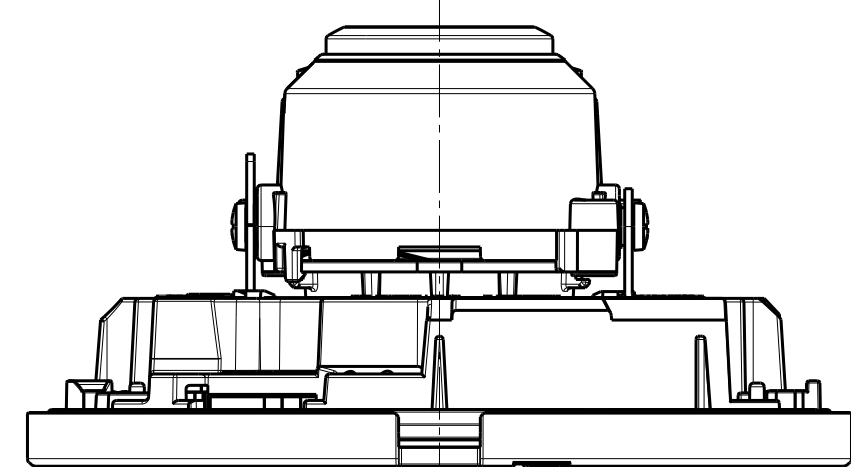
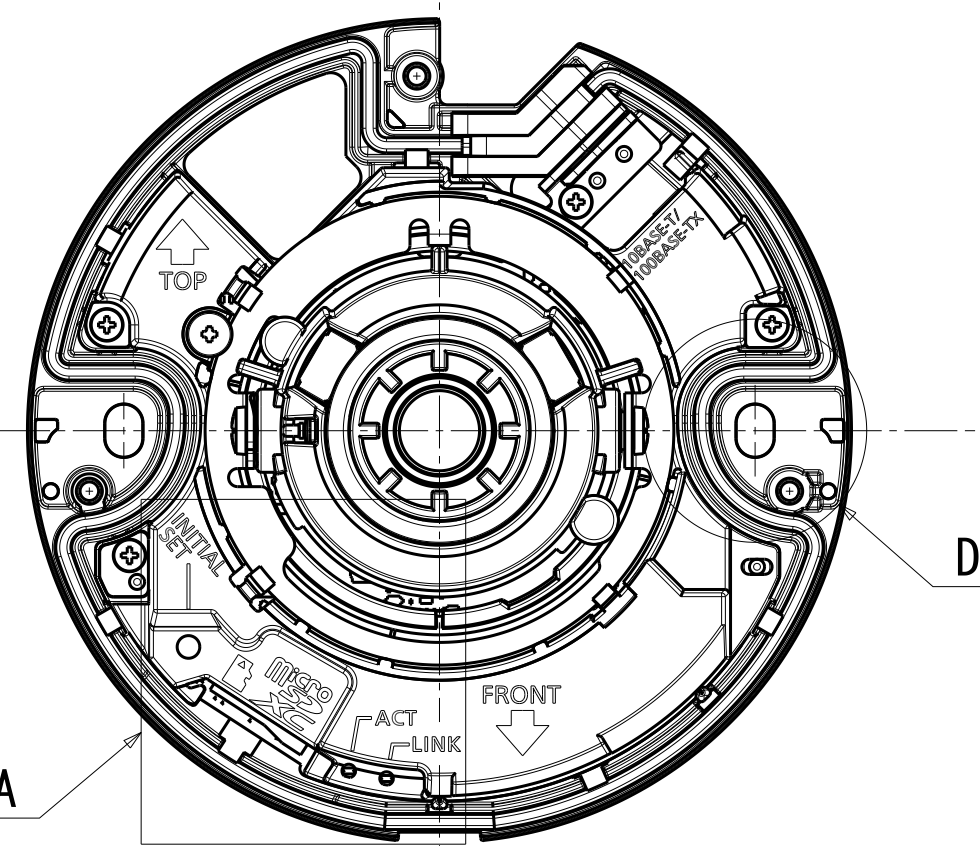
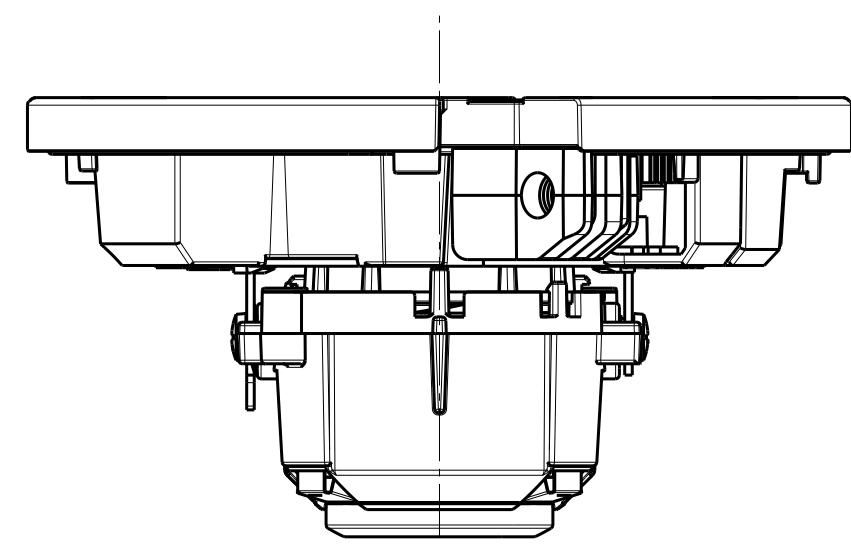
Detail A (2:1)



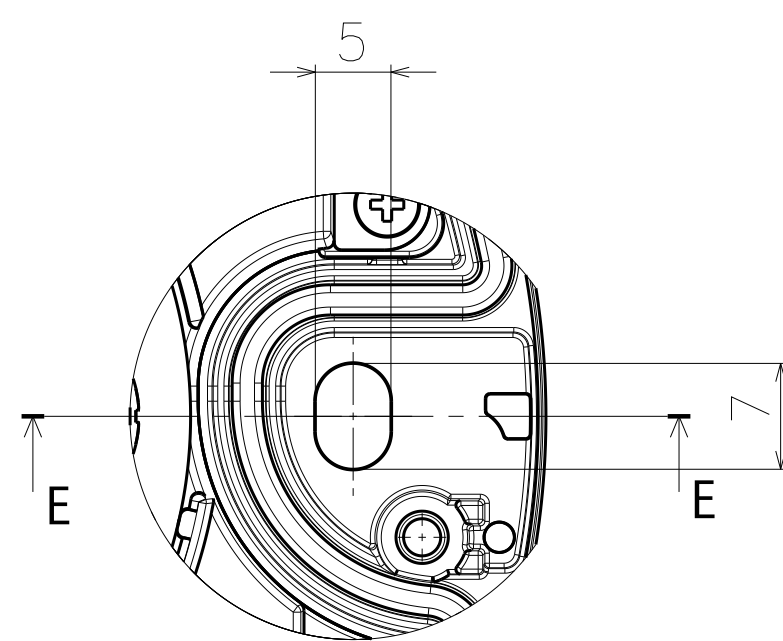
Detail C (2:1)



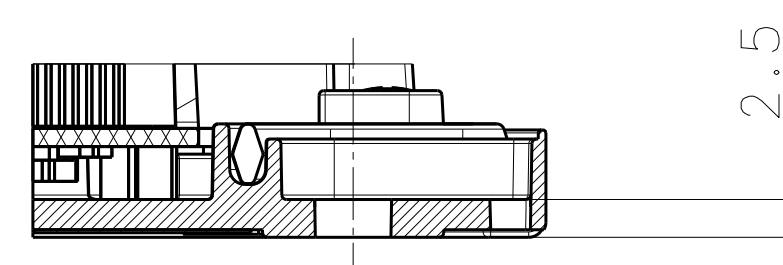
View B



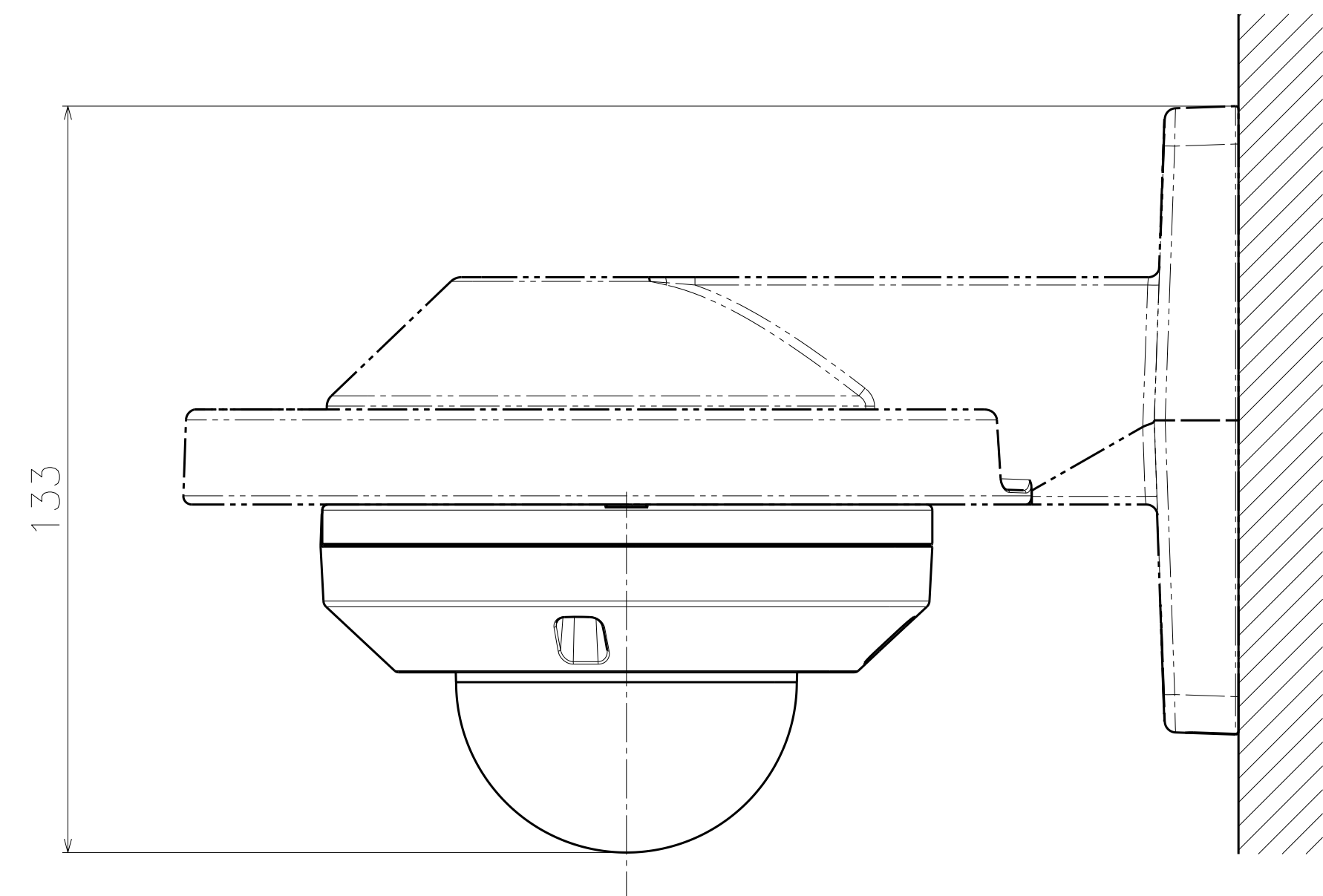
Without Enclosure



Detail D (2:1)
Symmetrical

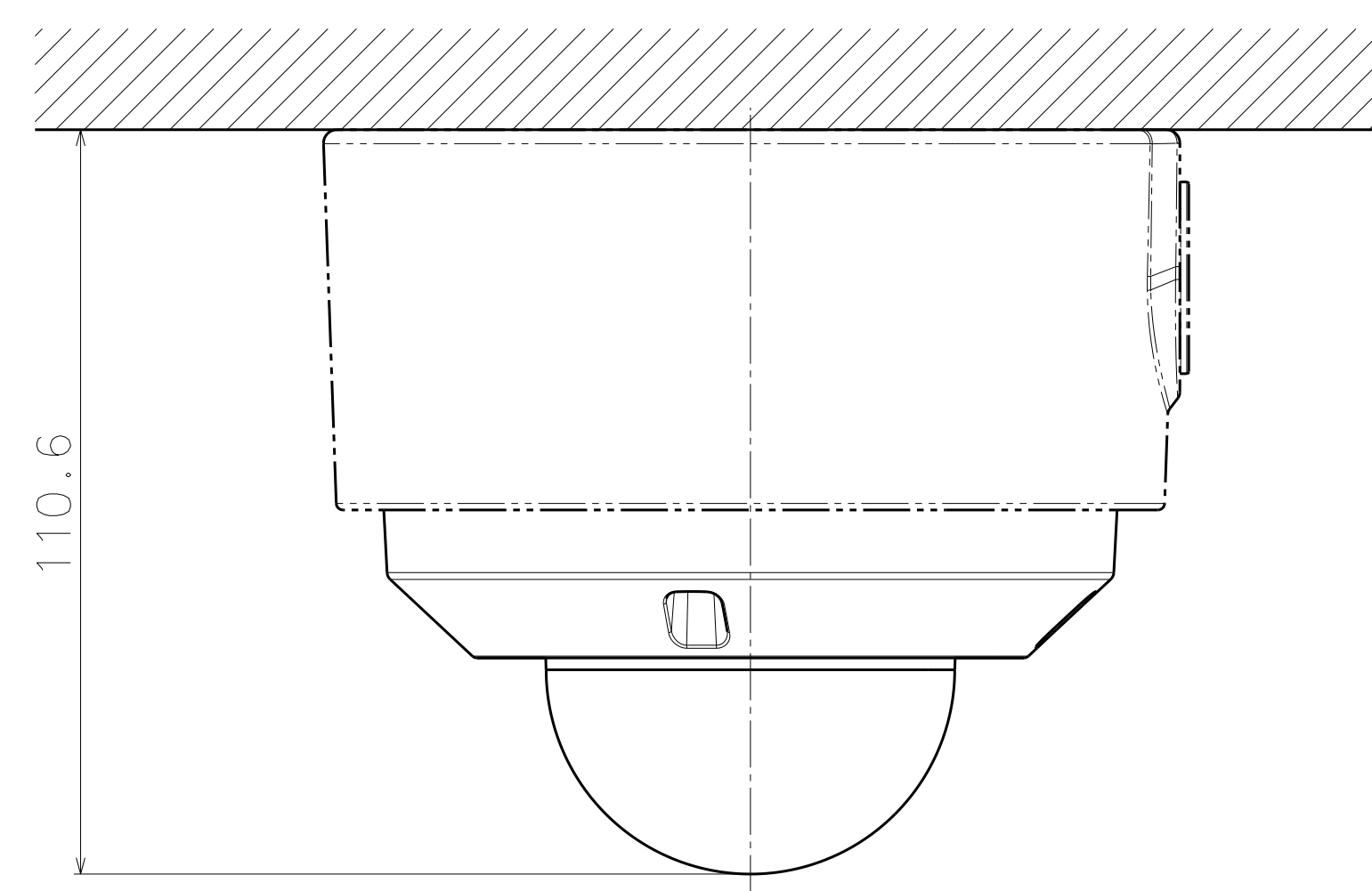


SEC E-E (2:1)
Symmetrical



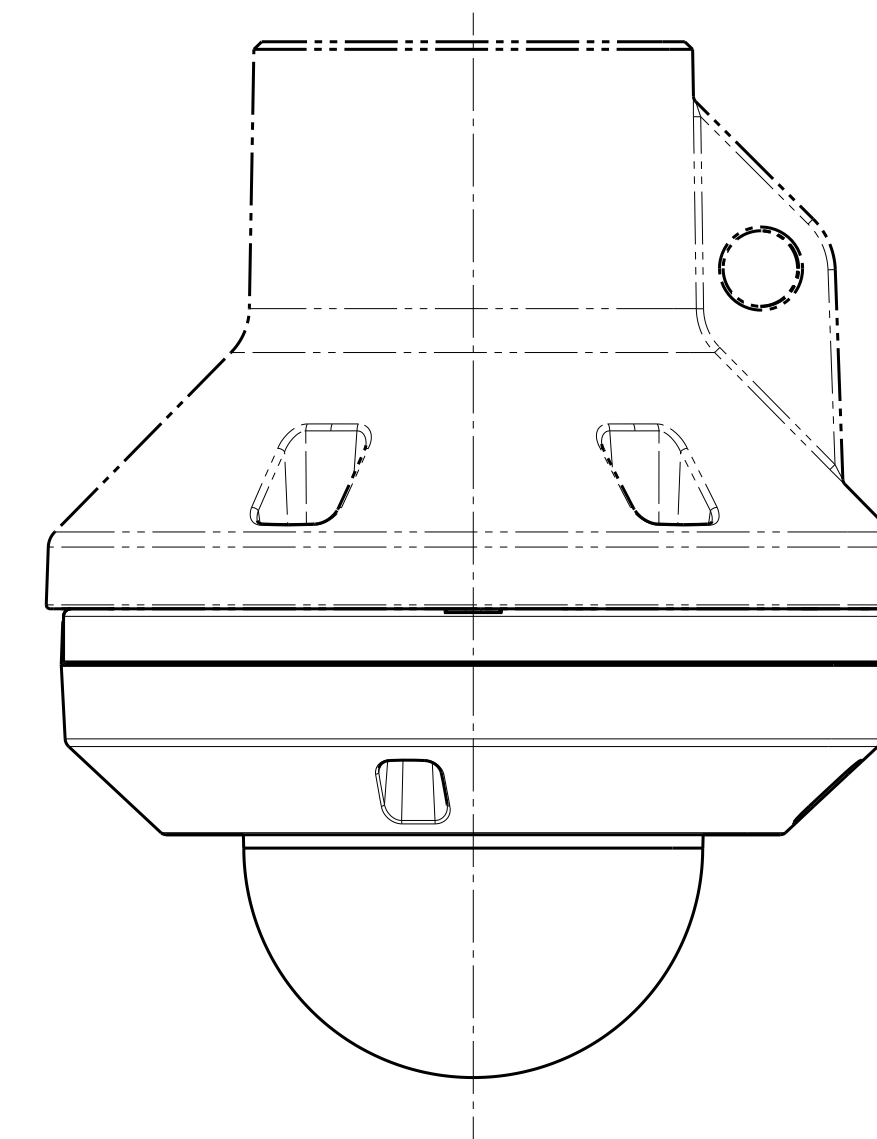
Attach to WV-QWL500-W

	投影面積/Projected area
側面図/Side-view	0.013 (m ²)



Attach to WV-QJB502-W

	投影面積/Projected area
側面図/Side-view	0.011 (m ²)



Attach to WV-QCL100-W

Model number
WV-U2540LA
WV-U2540LAV