

WV-S85702-F3L

2 x 4K IR Outdoor Multi-directional Network Camera with AI Engine

Multi-directional dual sensor camera



- 2 x 4K Multi-directional camera
- One IP address, One VMS license
- Up to 4 Edge AI analytic apps
- Built-in IR-LED (40m, 131ft)
- Wide angle of view (Horizontal 104°)
- Corridor mode (90 degrees or 270 degrees in image rotation)
- IP66, IP67, IK10 certified
- Built-in FIPS 140-2 Level 3 Certified SecureElement with TPM functionality (EdgeLock® SE050F NXP® Semiconductors)
- NDAA Compliant

[Learn More](#)



SPECIFICATIONS

Camera	
Image Sensor	2x 1/2.8 type CMOS image sensor
Minimum Illumination	Color : 0.084 lx (30IRE, F1.44, 1/30 s) Color : 0.12 lx (50IRE, F1.44, 1/30 s) BW : 0.05 lx {50IRE, F1.44, 1/30 s} BW : 0 lx {50IRE, F1.44, 1/30 s with IR LED}
White Balance	ATW1/ ATW2/ AWC
Maximum shutter	15 fps mode: Max.1/10000s to Max.16/30s 12.5 fps mode: Max.1/10000s to Max.16/25s
Intelligent Auto	On / Off
Super Dynamic	On / Off, The level can be set in the range of 0 to 31.
Dynamic Range	120 dB max. (Super Dynamic: On, Level: 31)
Adaptive Black Stretch	The level can be set in the range of 0 to 255.
Back Light Compensation/High Light Compensation	BLC/ HLC/ Off The level can be set in the range of 0 to 31. (only when Super Dynamic/ Intelligent Auto: Off)
Fog Compensation	On/ Off The level can be set in the range of 0 to 8. (only when Intelligent Auto/ Auto contrast adjust: Off)
Maximum Gain (AGC)	The level can be set in the range of 0 to 11.
Color/BW (ICR)	Off/On(IR Light Off)/On(IR Light On)/Auto1(IR Light Off)/Auto2(IR Light On)/Auto3(SCC)
IR LED Light	High/Middle/Low/Off Maximum irradiation distance : 40 m {Approx. 131 ft} (30IRE)* 30 m {Approx. 99 ft} (50IRE) * Converted value
Digital Noise Reduction	The level can be set in the range of 0 to 255.
Video Motion Detection (VMD)	On / Off, 4 areas available
Scene Change Detection (SCD)	On / Off, 1 areas available
Audio Detection	On/Off
AI Sound Classification	Selectable from Gunshot, Yell, Vehicle horn, Glass break
AI Analytics	AI Video Motion Detection, AI Privacy Guard, AI Face Detection, AI People Detection, AI Vehicle Detection, AI Non mask Detection, AI Occupancy Detection, AI Scene Change Detection For details https://i-pro.com/global/en/surveillance/products/i-pro-ai-application 3rd party applications are also available. https://i-pro.com/global/en/surveillance/i-pro-application-platform/application-list
Privacy Zone	On/ Off (up to 8 zones available)
VIQS	On / Off (up to 8 zones available)
Image Rotation	0° (Off)/ 90°/ 180° (Upside-down) / 270°

Camera Title (OSD)	On/ Off, Up to 40 characters, Up to 2 Lines (alphanumeric characters, marks)
Focus Adjustment	-
Lens	
Optical zoom	1x
Extra zoom	max 6x (when resolution is 640x360)
Focal length	3.1mm {1/8 inches}
Angular Field of View	Horizontal : 104 ° Vertical : 56 °
Maximum Aperture Ratio	01:01.4
Focus range	3 m {9.84 ft} – ∞
DORI	
Detect (25ppm / 8ppf)	60.0 m / 196.9 ft
Observe (62.5ppm / 19ppf)	24.0 m / 78.7 ft
Recognize (125ppm / 38ppf)	12.0 m / 39.4 ft
Identify (250ppm / 76ppf)	6.0 m / 19.7 ft
System on Chip (SoC)	
System on Chip (SoC)	Ambarella CV2
Adjusting Angle	
Adjusting Angle	Camera 1, 2: Horizontal: -50° to +230° (Adjust by horizontal (PAN) angle) Vertical: +10° to +105° (Adjust by vertical (TILT) angle) Yaw: ±90° (Adjust by azimuth (YAW) angle)
Browser GUI	
Camera Control	Brightness, AUX On / Off
Audio	Mic (Line) Input : On / Off Volume adjustment : Low / Middle / High Audio Output : On / Off Volume adjustment : Low / Middle / High
GUI / Setup Menu Language	English, Italian, French, German, Spanish, Portuguese, Russian, Chinese, Japanese
Browser	Microsoft Edge, Firefox, Google Chrome *1
Network	
Network IF	10BASE-T/100BASE-TX/1000BASE-T, RJ45 connector
Resolution H.265/ H.264/ JPEG (MJPEG)	[16:9 mode] 3840×2160 / 2560×1440 / 1920×1080 / 1280×720 / 640×360 / 320×180
H.265/H.264	[Transmission Mode] Constant bit rate / VBR / Frame rate / Best effort [Transmission Type] Unicast port (AUTO) / Unicast port (MANUAL) / Multicast
JPEG	[Image Quality] 10 steps
Smart Coding	GOP(Group of pictures) control : Off/ Low (Variable GOP 1s-8s)/ Mid (Variable GOP 4s-16s)/Advanced (Fixed GOP 60 seconds with 1 second Key frame)/Frame rate control (Variable GOP 4s-16s with frame rate control) *Advanced and Frame rate control are only available with H.265. Smart VIQS : On(High)/On(Low)/Off Smart P-picture control : On/Off
Audio Compression	G.726 (ADPCM) 32 kbps/16 kbps G.711 64 kbps AAC-LC 64kbps/96kbps/128kbps *2

Audio Transmission Mode	Off / Mic (Line) input / Audio output / Interactive (Half duplex) / Interactive (Full duplex)
Supported Protocol	IPv6 : TCP/IP, UDP/IP, HTTP, HTTPS, SSL/TLS, SMTP, DNS, NTP, SNMPv1/v2/v3, DHCPv6, RTP, MLD, ICMP, ARP, IEEE 802.1X, DiffServ, LLDP, MQTT
No. of Simultaneous Users	24 (Number of sessions that can connect to cameras at the same time)
Secure	FIPS 140-2 level 3 (NXP® EdgeLock® SE050F), Device Certificate GlobalSign® pre-installed, HTTPS, User authentication, Digest authentication, Host authentication, IEEE802.1X, System log, Image transmission log, Brute-force protection, Alteration detection
SDXC/SDHC/SD Memory Card	microSDXC memory card : 64 GB, 128 GB, 256 GB, 512 GB microSDHC memory card : 4 GB, 8 GB, 16 GB, 32 GB microSD memory card : 2 GB
Mobile Terminal Compatibility	iPad / iPhone (iOS 8.0 or later), Android™ terminals
ONVIF® Profile	G / M / S / T

Alarm

Alarm Source	3 terminals input, VMD alarm, SCD alarm, Command alarm, Audio detection alarm
Alarm Actions	SDXC/SDHC/SD memory recording, E-mail notification, HTTP alarm notification Indication on browser, TCP alarm notification output

Input/Output

Monitor Output (for Adjustment)	—
Audio input *3	ø3.5 mm stereo mini jack For microphone input : Recommended applicable microphone : Plug-in power type (Sensitivity of microphone : -48 dB±3 dB (0 dB=1 V/Pa, 1 kHz)) Input impedance : Approx. 2 kΩ (unbalanced) Supply voltage : 2.4 V ±0.5 V For line input : Input level: Approx. -10 dBV
Audio Output *3	ø3.5 mm stereo mini jack (Audio output is monaural.) Output impedance: Approx. 600 Ω (unbalanced) Output level: -20 dBV
External I/O Terminals *3	ALARM IN 1 (Alarm input 1/ Black & white input/ Auto time adjustment input) (x1) ALARM IN 2 (Alarm input 2/ ALARM OUT) (x1) ALARM IN 3 (Alarm input 3/ ALARM OUT /AUX OUT) (x1)

General

Safety	UL (UL62368-1), c-UL (CSA C22.2 No.62368-1), CE, IEC62368-1
EMC	FCC (Part15 ClassA), ICES-003 ClassA, EN55032 ClassA, EN55024
Power Source and Power Consumption	PoE+ (IEEE802.3at compliant) : DC 54 V : 350 mA/Approx. 18.9 W (Class 4 device)
Ambient Operating Temperature	-40 °C to +60 °C* {-40 °F to 140 °F}(Power On range: -20 °C to +60 °C {-4 °F to 140 °F}) Maximum temperature according to NEMA TS 2 (2.2.7) : 74°C(165°F) *When using with the IR LED light constantly lit, the upper limit of the operating temperature range is +50 °C {+122 °F}.
Ambient Operating Humidity	10 % to 100 % (no condensation)
Anti-Condensation System	Temish element
Water and Dust Resistance	IP67/IP66 (IEC 60529), Type 4X (UL50E), NEMA 4X compliant
Shock Resistance	IK10 (IEC 62262)
Other standard support	NEMA TS 2 (2.2.7-2.2.9)
Dimensions	When using the attachment plate only: 250 mm(D)× 150 mm (W) × 105 mm (H) {9-27/32" inches (D) ×5-29/32 inches (W) ×4-1/8 inches (H)}
Mass (approx.)	Approx. 1.8 kg

Finish

Main body: Aluminum die cast, i-PRO white
Outer fixing screws: Stainless steel (Corrosion-resistant treatment)
Dome cover: PC resin, Clear

NOTES

*1 For information on the operation verification of the web browsers, refer to our support website <Control No.: C0132>.

*2 When recording audio on an SD memory card, only use AAC-LC (Advanced Audio Coding - Low Complexity) .

*3 When using with them, WV-QCA501A cable is required.

Important

– Safety Precautions : Carefully read the Basic Information, Installation Guide and Operating Instructions before using this product.
– i-PRO Co., Ltd. cannot be held responsible for the performance of the network and/or other manufacturers' products used on the network.

– Masses and dimensions are approximate.

– Specifications are subject to change without notice.

Trademarks and registered trademarks

– iPad and iPhone are trademarks of Apple Inc., registered in the U.S. and other countries. – Android is a trademark of Google LLC.

– ONVIF is a trademark of ONVIF, Inc.

– All other trademarks identified herein are the property of their respective owners

©i-PRO Co., Ltd All rights reserved / March 2023

OPTIONAL ACCESSORIES

Select a compatible accessory

[Accessory Selector \(i-pro.com\)](http://i-pro.com).



WV-CR1S
Dome Cover



WV-QDC200C
Dome Cover



WV-QSR507F1-W
Mount Bracket



WV-QSR507-W
Mount Bracket



WV-QWL501-W
Mount Bracket



WV-QPL500-W
Mount Bracket



WV-QCN500-W
Mount Bracket



WV-QCL101-W
Mount Bracket



WV-QCL501-W
Mount Bracket



WV-QSR507M1-W
Mount Bracket



WV-QSR507F-W
Mount Bracket



WV-QCL100-W
Mount Bracket



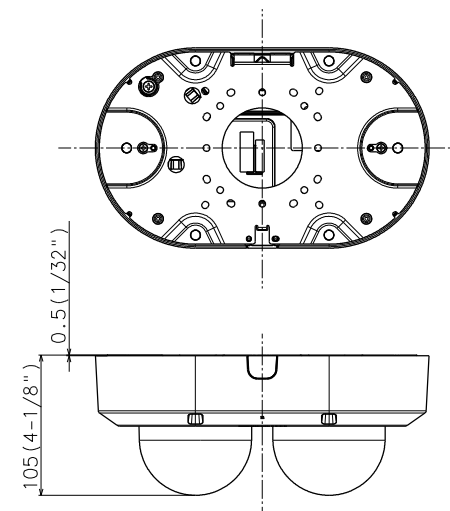
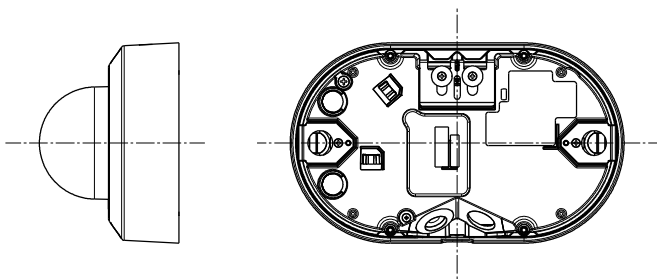
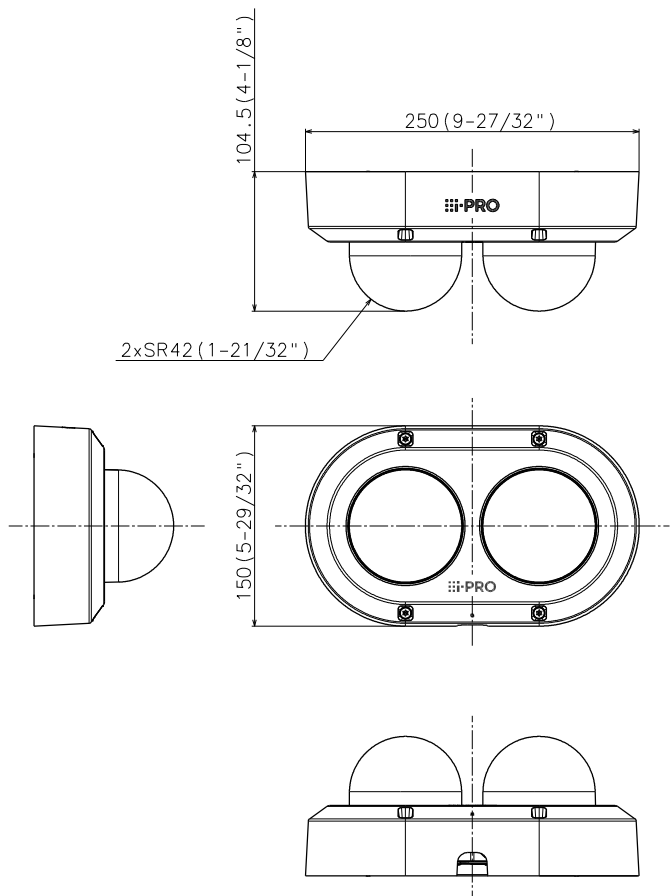
WV-QSR507M-W
Mount Bracket



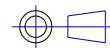
WV-Q105A
Mount Bracket



WV-QCA501A
I/O Cable



With attachment plate

Unit:mm


	投影面積/Projected area
平面図/Top-view	0.020 (m ²)
側面図/Side-view	0.011 (m ²)

Mass : Approx. 1.6 kg {3.53 lbs} (When using the attachment plate)